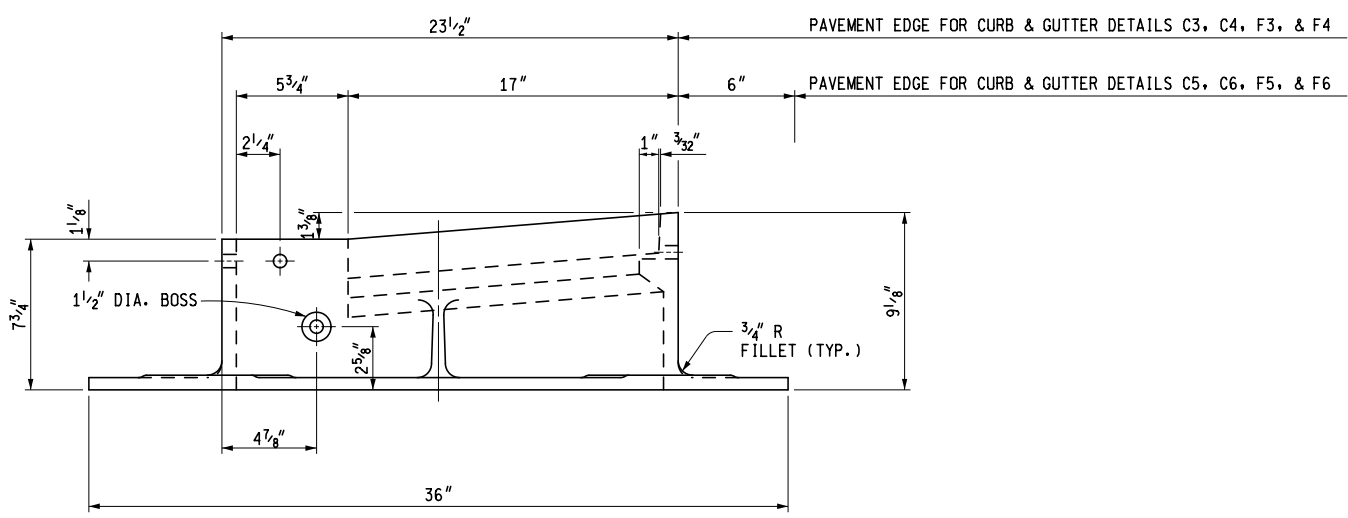


SECTION A - A  
OF FRAME

HALF FRONT ELEVATION  
OF FRAME

NOTE:  
BOLT CURB BOX TO FRAME WITH THREE  
5/8" x 2 1/2" GALVANIZED MACHINE BOLTS.  
ADJUST FOR HEIGHT AFTER FORMS FOR  
CURB ARE IN PLACE.

PLAN VIEW OF FRAME



SIDE ELEVATION OF FRAME



PREPARED  
BY  
DESIGN DIVISION  
DRAWN BY: B.L.T.  
CHECKED BY: W.K.P.

DEPARTMENT DIRECTOR  
Kirk T. Stuedle

APPROVED BY: *Randy Van Pelt*  
DIRECTOR, BUREAU OF FIELD SERVICES

APPROVED BY: *Mark A. Van Pelt*  
DIRECTOR, BUREAU OF HIGHWAY DEVELOPMENT

MICHIGAN DEPARTMENT OF TRANSPORTATION  
BUREAU OF HIGHWAY DEVELOPMENT STANDARD PLAN FOR

**COVER K**  
FOR USE WITH CONCRETE CURB & GUTTER  
DETAILS C, E & F

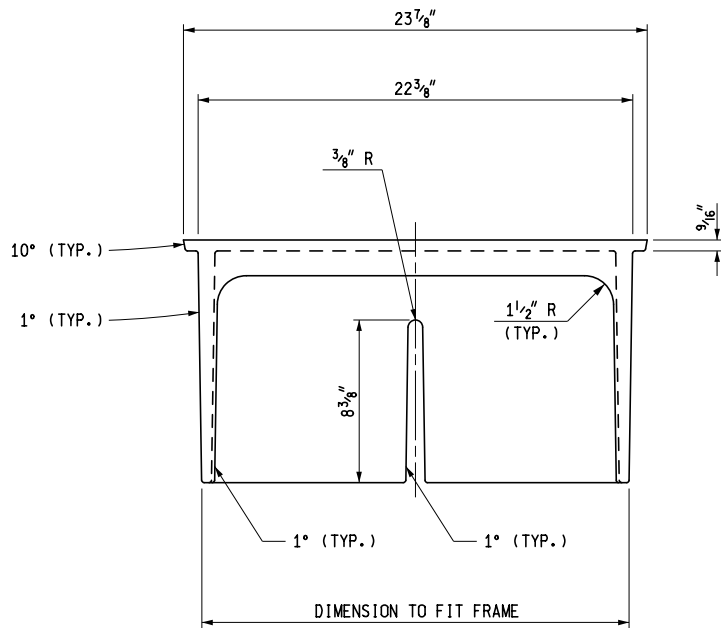
9-30-2014  
F.H.W.A. APPROVAL

4-8-2014  
PLAN DATE

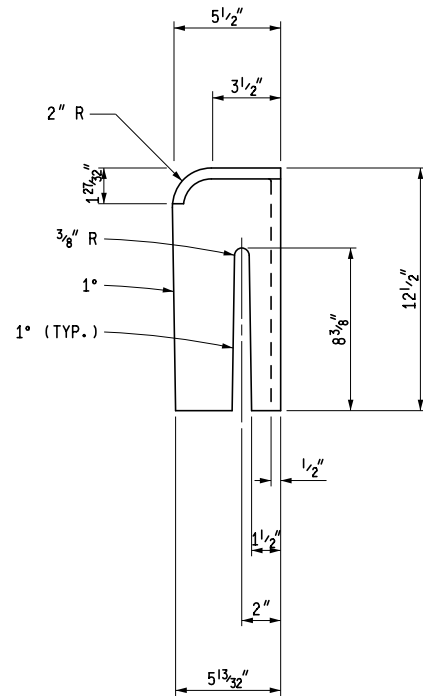
**R-15-F**

SHEET  
1 OF 3





FRONT VIEW OF CURB BOX



SIDE VIEW

NOTES:

THE CASTINGS SHALL MEET THE REQUIREMENTS OF THE CURRENT STANDARD SPECIFICATION FOR GRAY IRON OR DUCTILE IRON CASTINGS.

ALL CASTINGS SHALL BE CLEANED BY CURRENT APPROVED BLASTING METHODS.

THE SEATING FACE OF THE GRATE AND THE SEAT FOR THE SAME ON THE FRAME SHALL BE GROUND OR MACHINED SO THAT THE GRATE WILL HAVE AN EVEN BEARING ON ITS SEAT TO PREVENT ROCKING OR TILTING.

THE CASTINGS SHALL BE FREE OF POURING FAULTS, BLOW HOLES, CRACKS AND OTHER IMPERFECTIONS. THEY SHALL BE SOUND, TRUE TO FORM AND THICKNESS, CLEAN AND NEATLY FINISHED, AND SHALL BE COATED WITH COAL TAR PITCH VARNISH.

THE CURB BOX AND FRAME SHALL BE SHIPPED ASSEMBLED.

THIS COVER IS DESIGNED TO FIT ON ANY INLET, CATCH BASIN OR ON ANY EXISTING SIMILAR STRUCTURE WHEN SO DESIGNATED ON THE PLANS.

MICHIGAN DEPARTMENT OF TRANSPORTATION  
BUREAU OF HIGHWAY DEVELOPMENT STANDARD PLAN FOR

**COVER K**

FOR USE WITH CONCRETE CURB & GUTTER  
DETAILS C, E & F

9-30-2014  
F.H.W.A. APPROVAL

4-8-2014  
PLAN DATE

**R-15-F**

SHEET  
3 OF 3