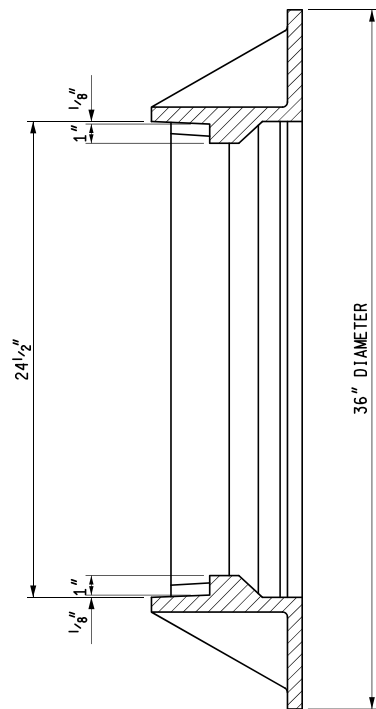
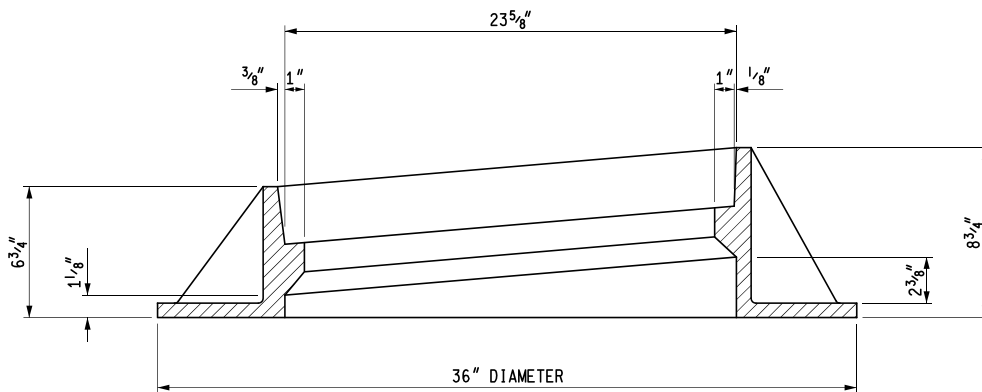


PLAN VIEW OF FRAME



SECTION B - B



SECTION A - A



PREPARED BY  
DESIGN DIVISION

DRAWN BY: B.L.T.

CHECKED BY: W.K.P.

DEPARTMENT DIRECTOR  
Paul C. Ajegba

APPROVED BY: Gregg Brunner, P.E. Gregg Brunner  
Oct 14 2021 12:31 PM  
DIRECTOR, BUREAU OF FIELD SERVICES

APPROVED BY: Bradley C. Wiefelich Bradley C. Wiefelich  
Oct 14 2021 11:00 AM  
DIRECTOR, BUREAU OF DEVELOPMENT

MICHIGAN DEPARTMENT OF TRANSPORTATION  
BUREAU OF DEVELOPMENT STANDARD PLAN FOR

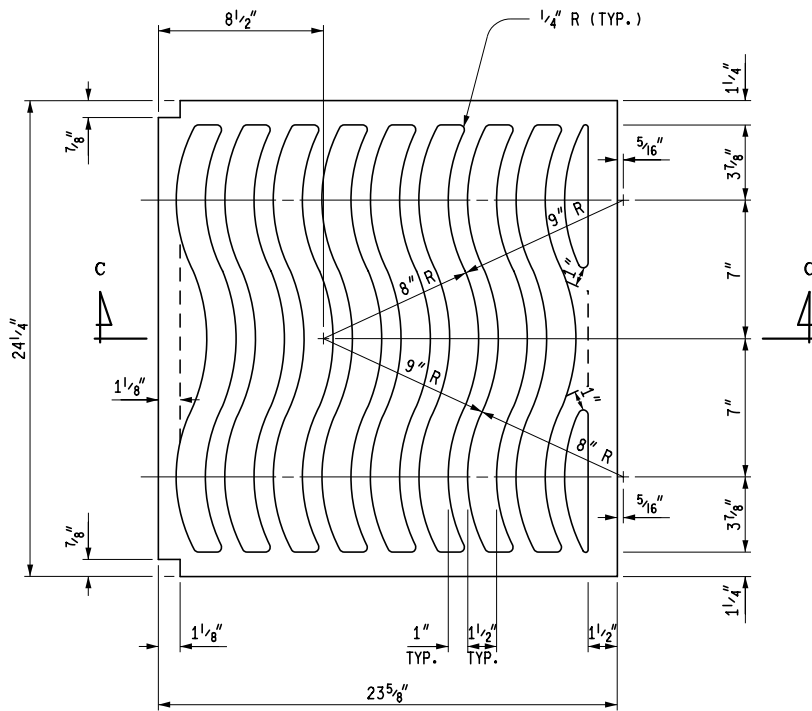
**COVER RX**  
(FREEWAYS ONLY)

4-7-2022  
F.H.W.A. APPROVAL

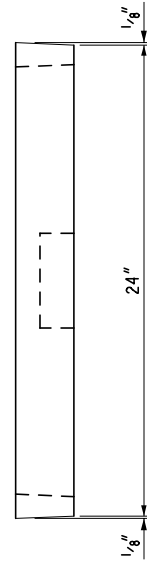
4-1-2021  
PLAN DATE

R-20X-E

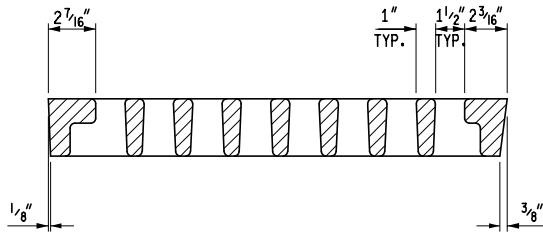
SHEET  
1 OF 2



PLAN VIEW OF GRATE



FRONT ELEVATION OF GRATE



SECTION C - C

NOTES:

THE CASTINGS SHALL MEET THE REQUIREMENTS OF THE CURRENT STANDARD SPECIFICATION FOR GRAY IRON CASTINGS.

ALL CASTINGS SHALL BE CLEANED BY CURRENT APPROVED BLASTING METHODS.

THE SEATING FACE OF THE GRATE AND THE SEAT FOR THE SAME ON THE FRAME SHALL BE GROUND OR MACHINED SO THAT THE GRATE WILL HAVE AN EVEN BEARING ON ITS SEAT TO PREVENT ROCKING OR TILTING.

THE CASTINGS SHALL BE FREE OF POURING FAULTS, BLOW HOLES, CRACKS AND OTHER IMPERFECTIONS. THEY SHALL BE SOUND, TRUE TO FORM AND THICKNESS, CLEAN AND NEATLY FINISHED, AND SHALL BE COATED WITH COAL TAR PITCH VARNISH.

THIS COVER IS DESIGNED TO FIT ON ANY INLET, CATCH BASIN OR ON ANY EXISTING SIMILAR STRUCTURE WHEN SO DESIGNATED ON THE PLANS.

MICHIGAN DEPARTMENT OF TRANSPORTATION  
BUREAU OF DEVELOPMENT STANDARD PLAN FOR

**COVER RX**  
**(FREEWAYS ONLY)**

4-7-2022  
F.H.W.A. APPROVAL

4-1-2021  
PLAN DATE

R-20X-E

SHEET  
2 OF 2