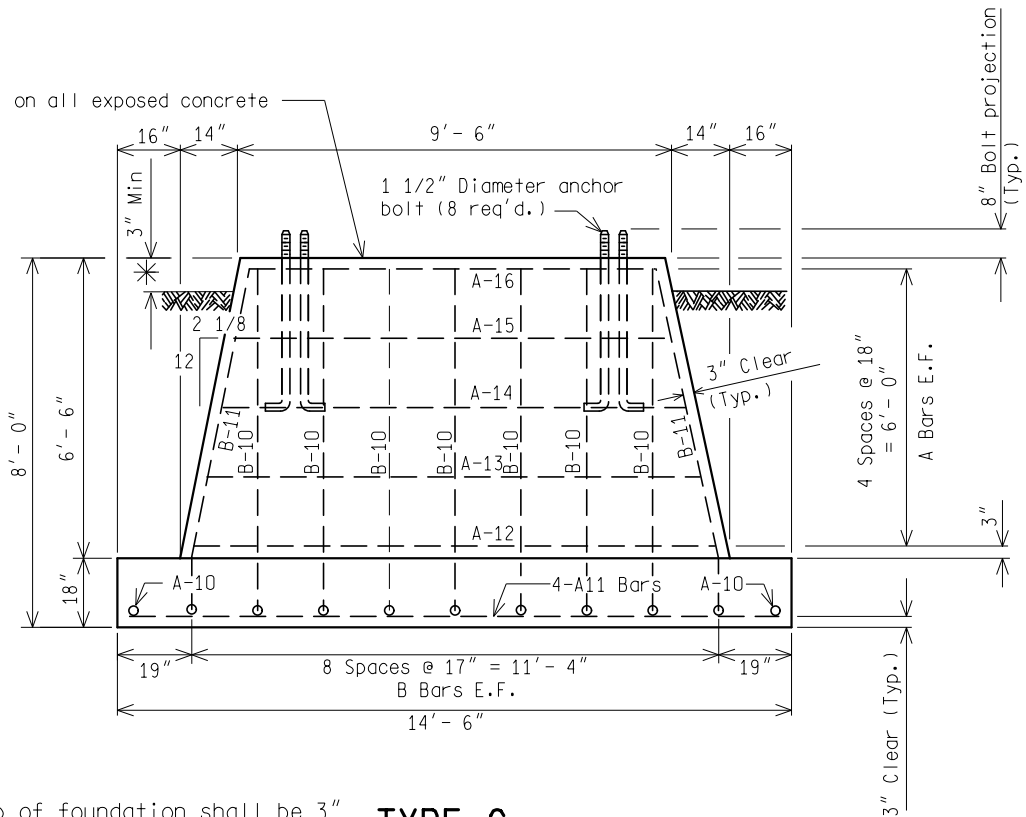


**TYPE C**  
**PLAN**

←  
Direction of traffic

1 1/2" Bevel on all exposed concrete edges (Typ.)



\* The top of foundation shall be 3" (± 1") above the finished grade around the perimeter of the footing. The maximum slope along the width of the footing shall be 1 on 2.

**TYPE C**  
**ELEVATION**

TO BE USED FOR MAINTENANCE PURPOSES ONLY



PREPARED BY  
DESIGN DIVISION

DRAWN BY: DHD

CHECKED BY: AJU

DEPARTMENT DIRECTOR  
Paul C. Ajegba

APPROVED BY: \_\_\_\_\_  
DIRECTOR, BUREAU OF FIELD SERVICES

APPROVED BY: \_\_\_\_\_  
DIRECTOR, BUREAU OF DEVELOPMENT

MICHIGAN DEPARTMENT OF TRANSPORTATION  
BUREAU OF DEVELOPMENT STANDARD PLAN FOR

**TRUSS FOUNDATION**  
**TYPE C**

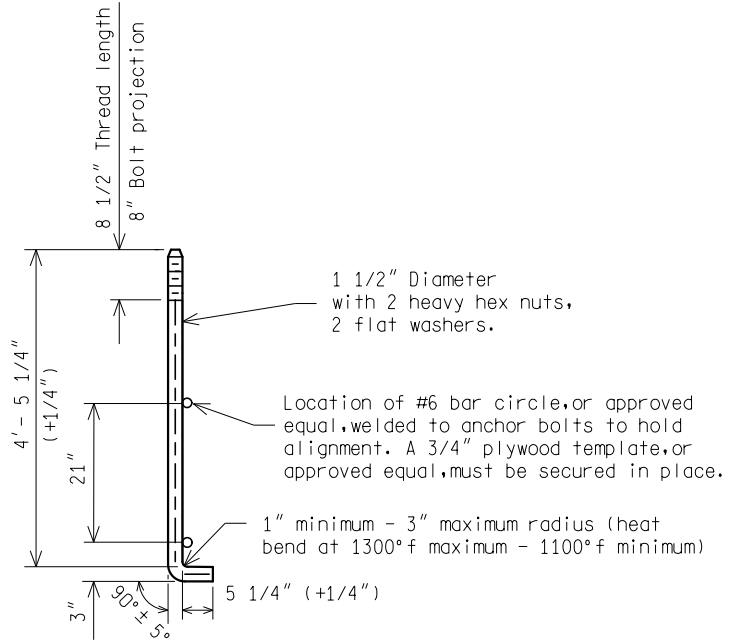
---/---/---  
F.H.W.A. APPROVAL

12/17/13  
PLAN DATE

SIGN-600-B

SHEET  
1 OF 2

Steel Reinforcement			
Bar	Size	Dimensions	No Req.
A-10	#4	4' - 0"	2
A-11	#4	14' - 0"	4
A-12	#4	11' - 3"	2
A-13	#4	10' - 8"	2
A-14	#4	10' - 2"	2
A-15	#4	9' - 7"	2
A-16	#4	9' - 1"	2
B-10	#4	7' - 7"   3' - 0"	14
B-11	#4	7' - 7"   3' - 0"	4



**ANCHOR BOLT DETAIL**  
(FOR TYPE C)  
8 REQUIRED PER FOUNDATION

**TYPE C**

10 cu. yd CONC.  
237 lbs REINF. STEEL

NOTES: (For type C)

1. Top of concrete shall be 3" min. above ground.
2. Anchor bolts shall be carefully set and held vertically at the correct location and at the proper elevation with a 3/4" plywood (or approved equal) template until concrete has set. Each set of four bolts shall be tied together by welding into a basket with #6 bar circle or approved equal along with securing a 3/4" plywood (or approved equal) template in place prior to being approved by MDOT for shipping (see anchor bolt detail sheet #2).
3. Anchor bolts, nuts, and washers shall be per section 908.14 of the MDOT Standard Specifications for Construction. A minimum of 3 threads shall show above the top of the nut after tightening.
4. For truss foundation in concrete barrier, double face, refer to road standard plan R-51-Series.

NOT TO SCALE

MICHIGAN DEPARTMENT OF TRANSPORTATION BUREAU OF DEVELOPMENT STANDARD PLAN	--/--/-- F.H.W.A. APPROVAL	12/17/13 PLAN DATE	SIGN-600-B	SHEET 2 OF 2
--	-------------------------------	-----------------------	------------	-----------------

NOTE: THE ORIGINAL SIGNED COPY IS KEPT ON FILE AT THE MICHIGAN DEPARTMENT OF TRANSPORTATION.