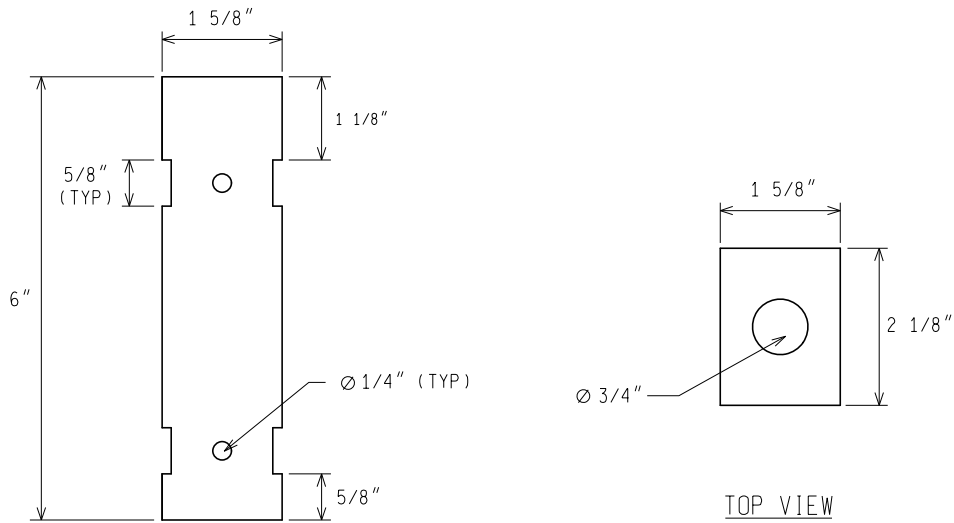


ANTENNA ATTACHMENT DETAIL (STEEL POLE)
FOR CELL MODEM TRANSMITTER



FRONT VIEW

TOP VIEW

CELL MODEM TRANSMITTER BRACKET DETAIL "A"

NOT TO SCALE

File: RefDoc/TR/Signals/Web/Sp Det/Fin/SIG131A.dgn Rev.



PREPARED BY
TRAFFIC AND SAFETY

DRAWN BY: DSP

CHECKED BY:

ENGINEER OF DELIVERY

ENGINEER OF DEVELOPMENT

(SPECIAL DETAIL)
FHWA APPROVAL DATE

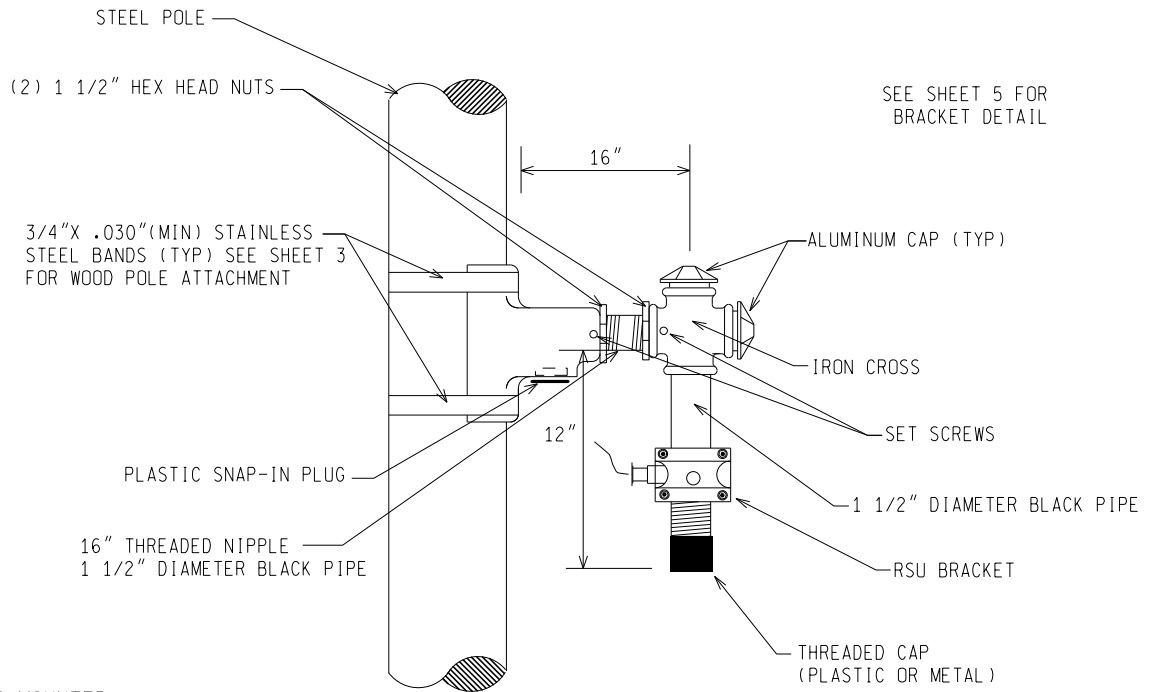
MICHIGAN DEPARTMENT OF TRANSPORTATION
BUREAU OF HIGHWAYS DELIVERY STANDARD PLAN FOR

CELL MODEM AND RSU
ATTACHMENT DETAIL

02/06/18
PLAN DATE

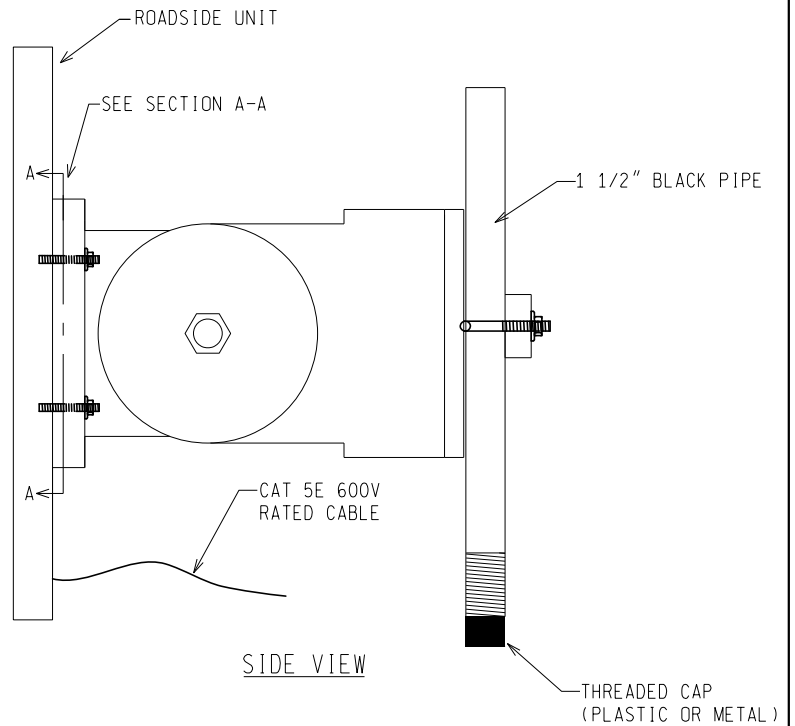
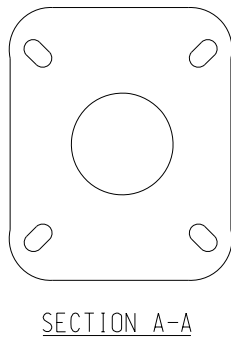
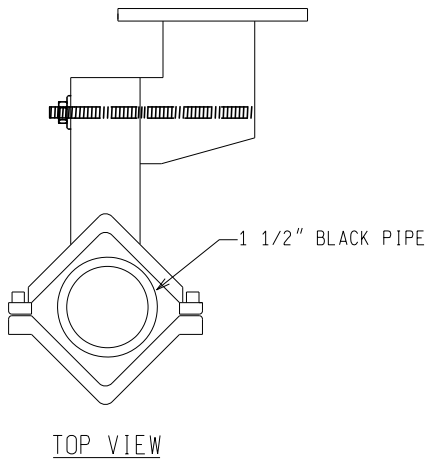
SIG-131-A

SHEET
1 of 3



(*) NOTE:
RSU SHALL BE MOUNTED
BETWEEN 19' AND 25'

ANTENNA ATTACHMENT DETAIL (STEEL POLE)
FOR CELL MODEM TRANSMITTER



NOT TO SCALE

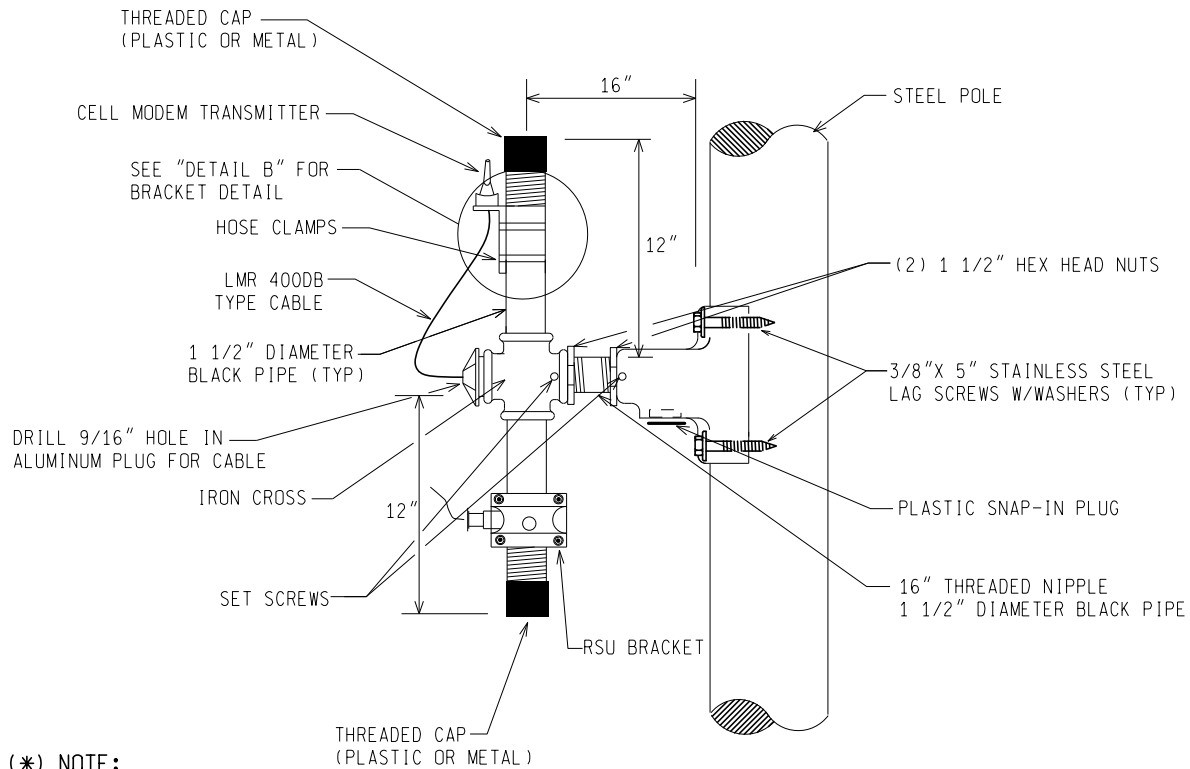
MICHIGAN DEPARTMENT OF TRANSPORTATION
BUREAU OF HIGHWAYS DELIVERY STANDARD PLAN

(SPECIAL DETAIL)
FHWA APPROVAL DATE

02/06/18
PLAN DATE

SIG-131-A

SHEET
2 of 3



(*) NOTE:
 RSU SHALL BE MOUNTED
 BETWEEN 19' AND 25'

ANTENNA ATTACHMENT DETAIL (WOOD POLE)
FOR CELL MODEM TRANSMITTER AND RSU COMBO

NOT TO SCALE

MICHIGAN DEPARTMENT OF TRANSPORTATION
 BUREAU OF HIGHWAYS DELIVERY STANDARD PLAN

(SPECIAL DETAIL)
 FHWA APPROVAL DATE

02/06/18
 PLAN DATE

SIG-131-A

SHEET
 3 of 3