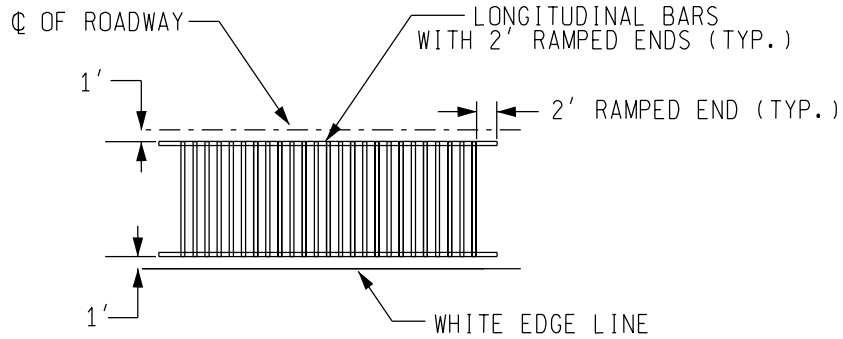
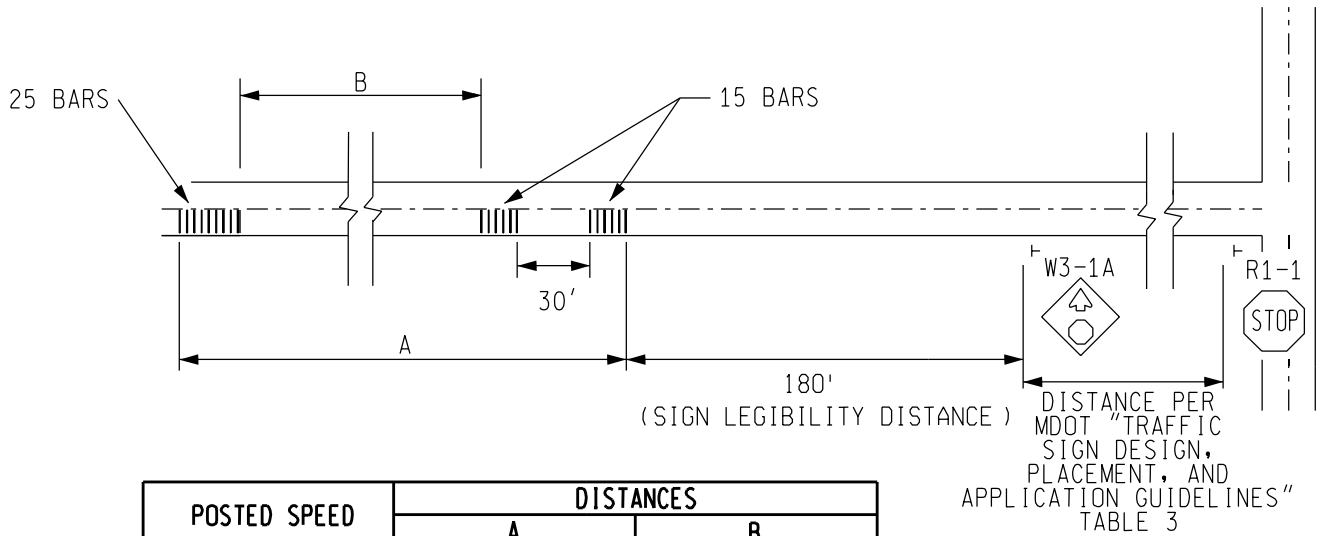


PROFILE VIEW



PLAN VIEW



POSTED SPEED	DISTANCES	
	A	B
45 MPH	240 FT	115 FT
50 MPH	270 FT	145 FT
55 MPH	285 FT	160 FT

LOCATION

NOTE: DISTANCES GIVEN ARE MINIMUM VALUES

RAISED THERMOPLASTIC RUMBLE STRIPS FOR USE ON STATE TRUNKLINE



PREPARED BY
TSMD DIVISION

DRAWN BY: MKB

CHECKED BY: KMW

DEPARTMENT DIRECTOR
Paul C. Ajegba

Gregg Brunner, P.E. Gregg Brunner
Nov 2 2020 12:08 PM

APPROVED BY: DIRECTOR, BUREAU OF FIELD SERVICES

Bradley C. Wiefelich, Bradley C. Wiefelich
Nov 5 2020 5:47 AM

APPROVED BY: DIRECTOR, BUREAU OF DEVELOPMENT

MICHIGAN DEPARTMENT OF TRANSPORTATION
BUREAU OF DEVELOPMENT STANDARD PLAN FOR

RAISED THERMOPLASTIC RUMBLE STRIPS

09/21/20
F.H.W.A. APPROVAL

02/27/20
PLAN DATE

PAVE-916-A

SHEET
1 OF 1