

IF STRAIN POLE IS RATED AS A DOWN CONDUCTOR AND IS USED AS SUCH, 2 GROUND RODS ARE NEEDED

IF POLE IS NOT RATED AS A DOWN CONDUCTOR OR THERE IS NOT ROOM FOR 2 HAND HOLES

### LIGHTNING PROTECTION ON STEEL POLE

NOT TO SCALE File: RefDoc/TR/Signals/Web/Sp Det/Fin/SIG231A.dgn Rev. 02/08/21

**MDOT**  
Michigan Department of Transportation

PREPARED BY  
TRAFFIC AND SAFETY

DRAWN BY: DSP

CHECKED BY:

\_\_\_\_\_  
ENGINEER OF DELIVERY

\_\_\_\_\_  
ENGINEER OF DEVELOPMENT

(SPECIAL DETAIL)

\_\_\_\_\_  
FHWA APPROVAL DATE

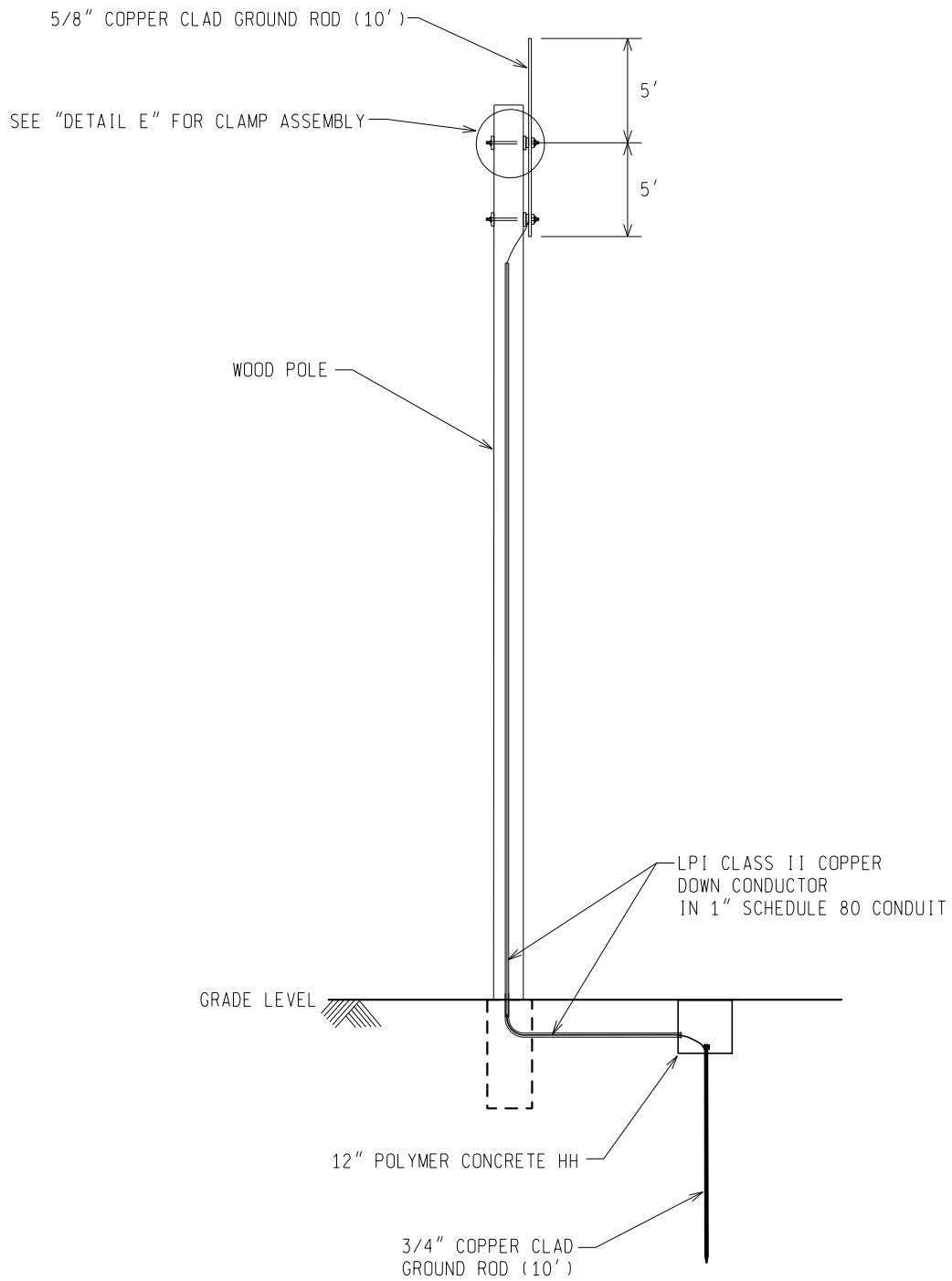
MICHIGAN DEPARTMENT OF TRANSPORTATION  
BUREAU OF HIGHWAYS DELIVERY STANDARD PLAN FOR

## LIGHTNING PROTECTION DETAIL

SIG-231-A

PLAN DATE

SHEET  
1 of 6



LIGHTNING PROTECTION ON WOOD POLE

NOT TO SCALE

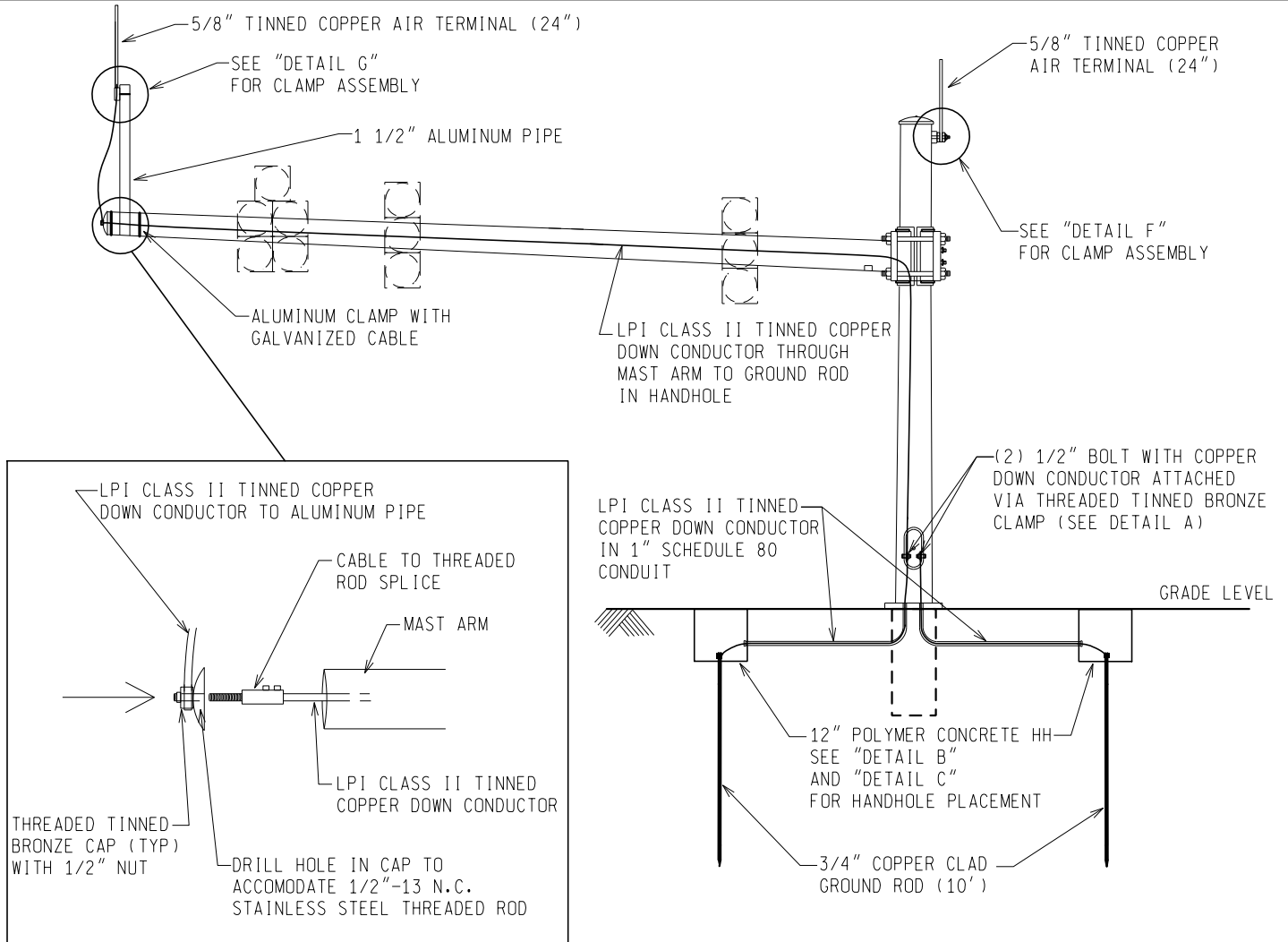
MICHIGAN DEPARTMENT OF TRANSPORTATION  
BUREAU OF HIGHWAYS DELIVERY STANDARD PLAN

FHWA APPROVAL DATE

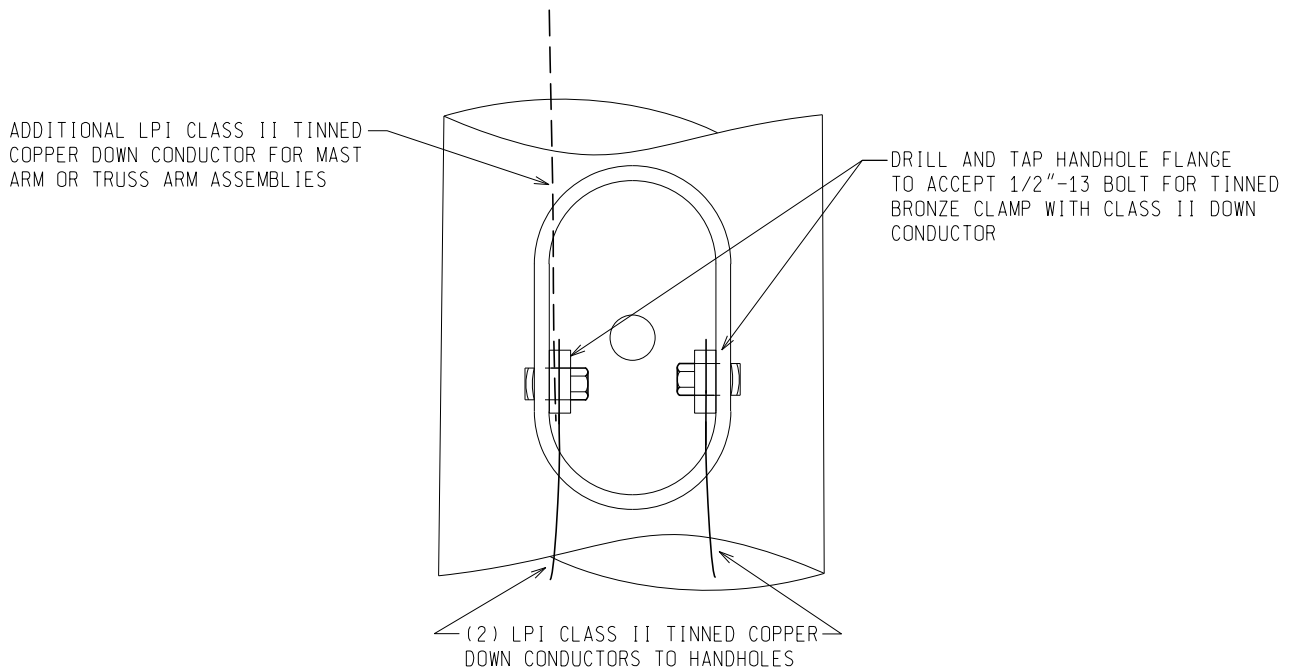
PLAN DATE

SIG-231-A

SHEET  
2 of 6



### LIGHTNING PROTECTION ON MAST ARM



### POLE HANDHOLE "DETAIL A"

NOT TO SCALE

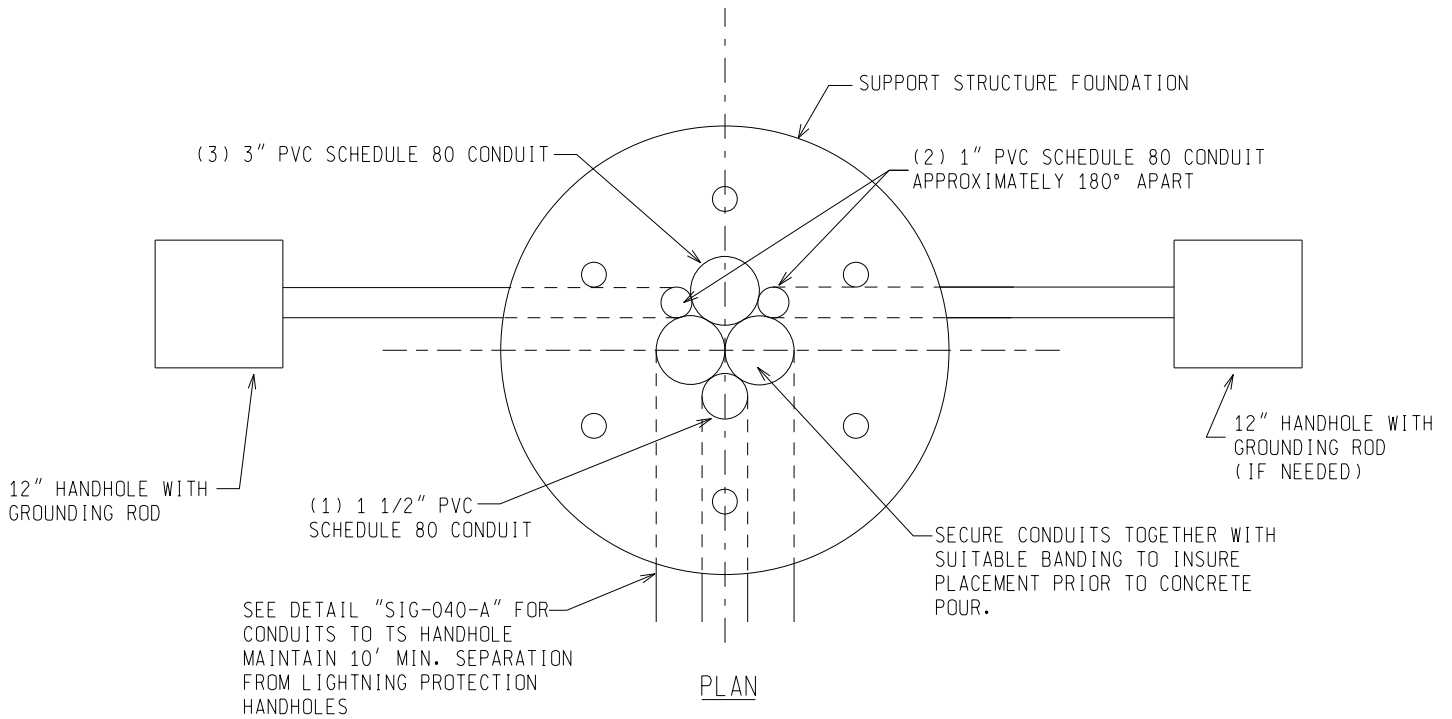
MICHIGAN DEPARTMENT OF TRANSPORTATION  
BUREAU OF HIGHWAYS DELIVERY STANDARD PLAN

FHWA APPROVAL DATE

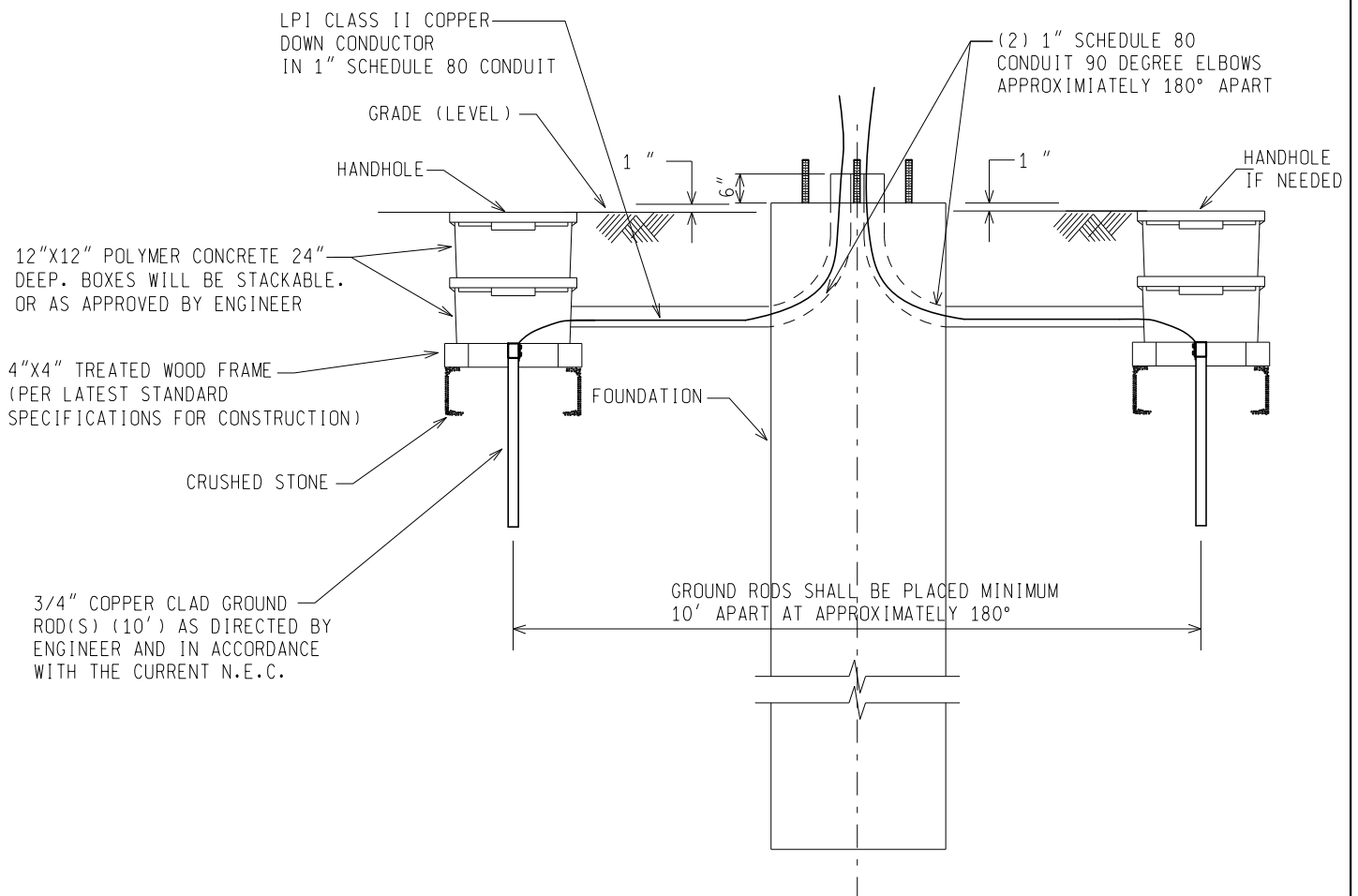
PLAN DATE

SIG-231-A

SHEET  
3 of 6



STEEL POLE HANDHOLE PLAN VIEW  
LAYOUT "DETAIL B"



STEEL POLE HANDHOLE ELEVATION VIEW  
LAYOUT "DETAIL C"

NOT TO SCALE

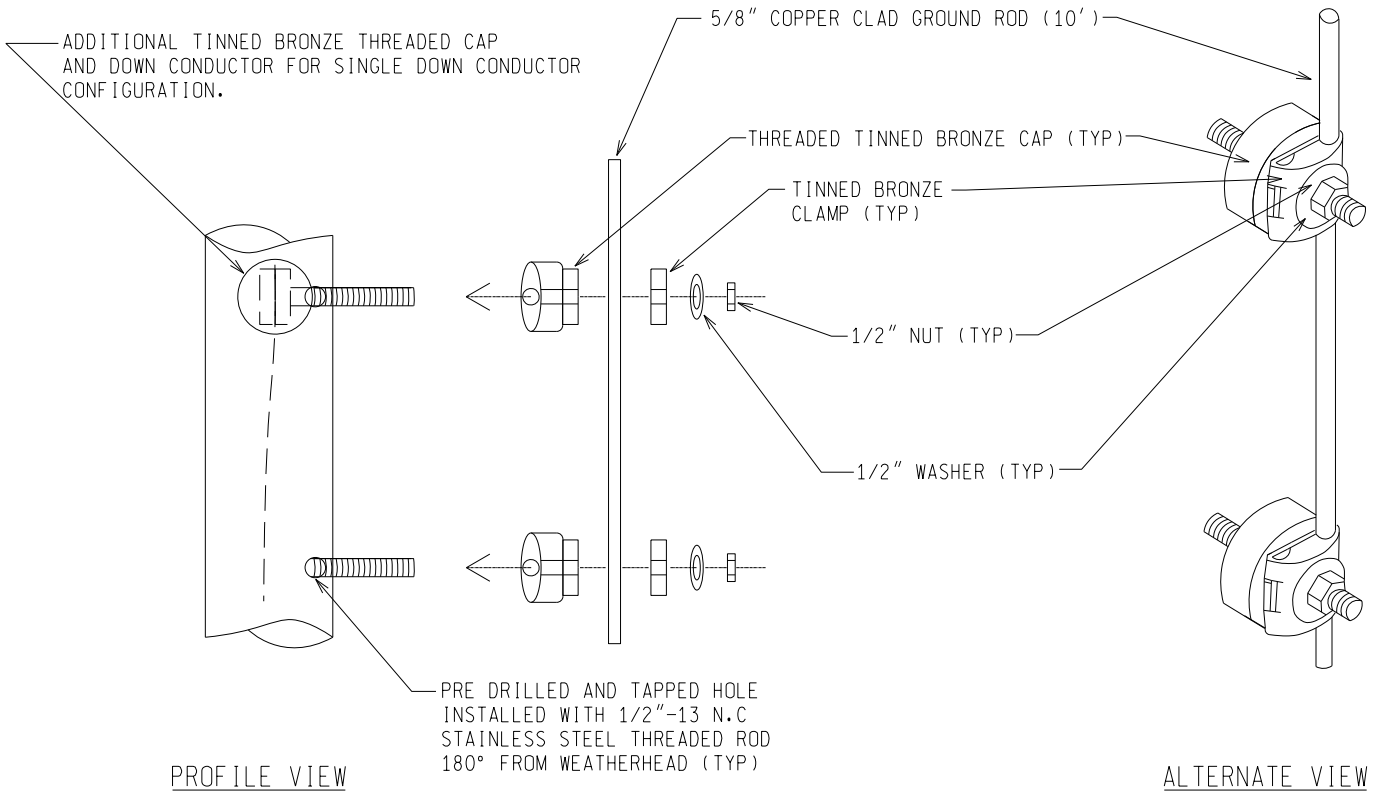
MICHIGAN DEPARTMENT OF TRANSPORTATION  
BUREAU OF HIGHWAYS DELIVERY STANDARD PLAN

FHWA APPROVAL DATE

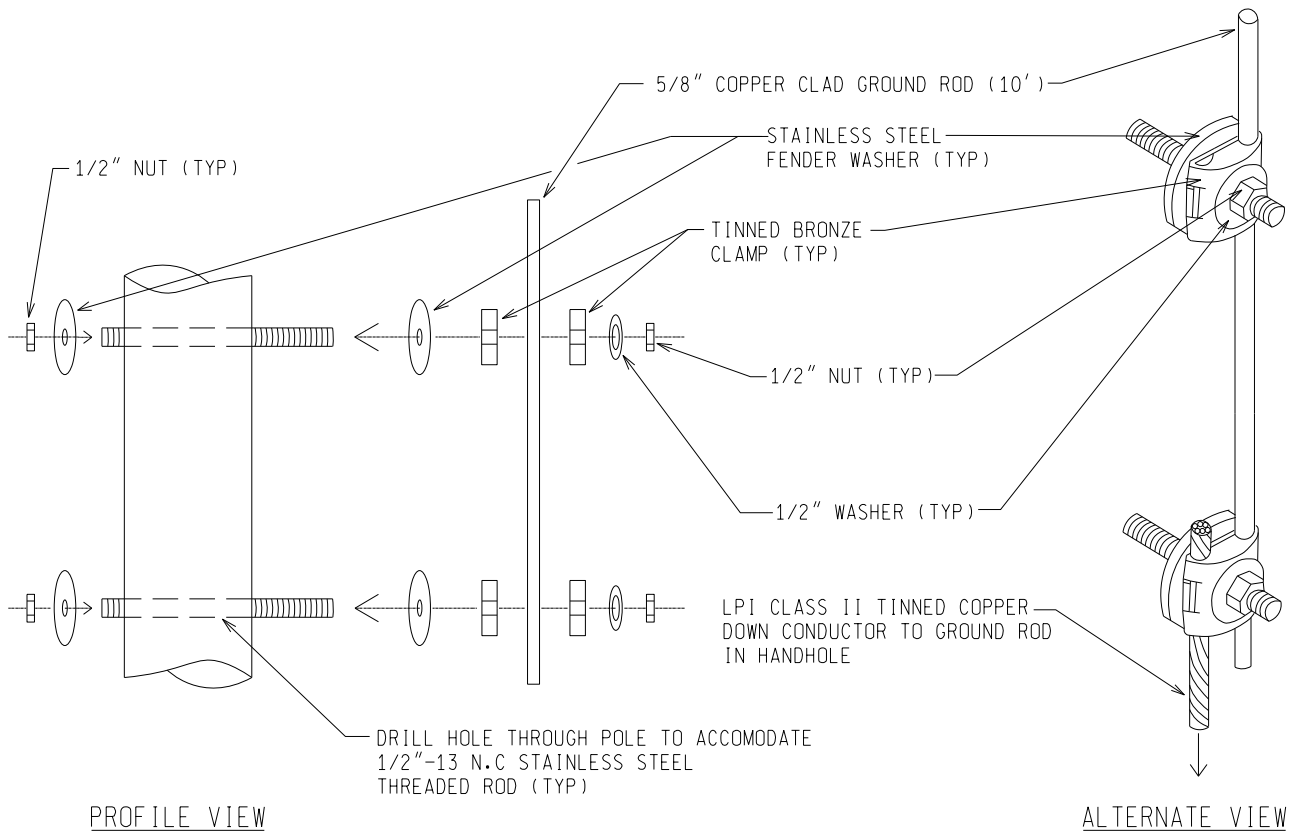
PLAN DATE

SIG-231-A

SHEET  
4 of 6



LIGHTNING PROTECTION CLAMP  
ON STEEL POLE "DETAIL D"



LIGHTNING PROTECTION CLAMP  
ON WOOD POLE "DETAIL E"

NOT TO SCALE

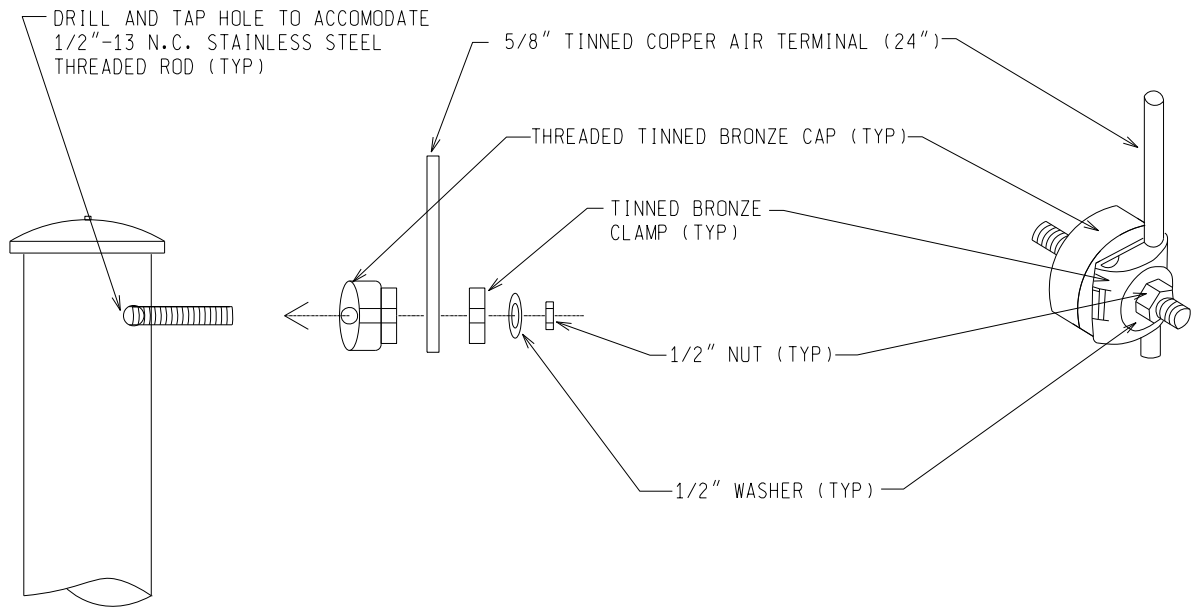
MICHIGAN DEPARTMENT OF TRANSPORTATION  
BUREAU OF HIGHWAYS DELIVERY STANDARD PLAN

FHWA APPROVAL DATE

PLAN DATE

SIG-231-A

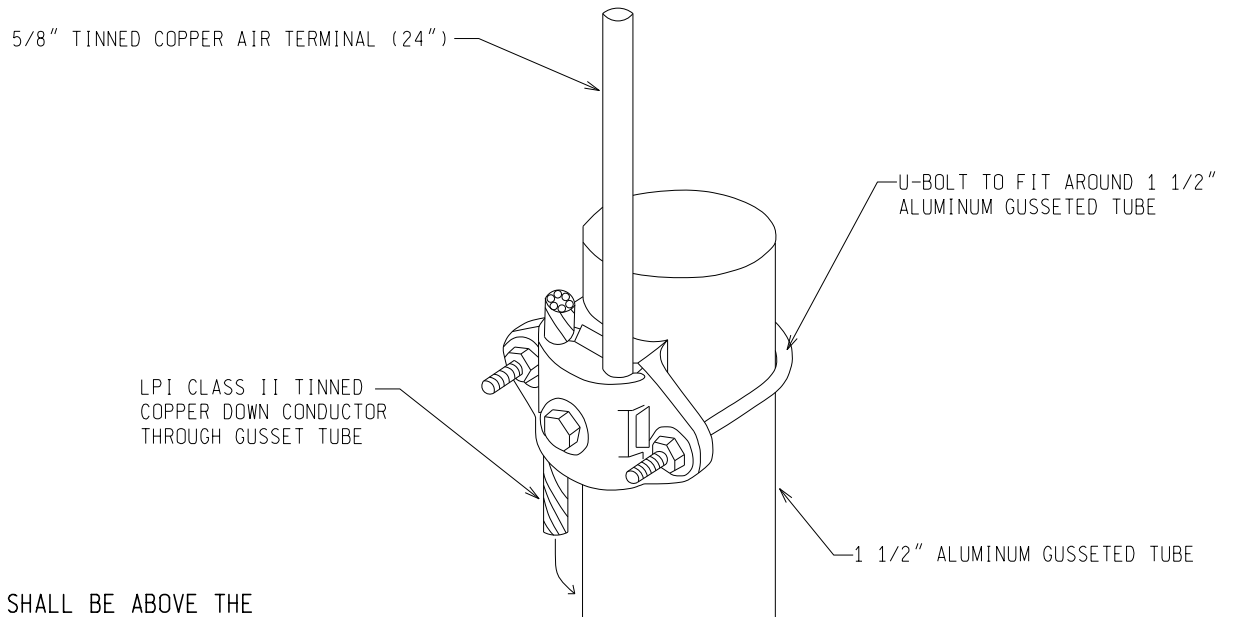
SHEET  
5 of 6



PROFILE VIEW

ALTERNATE VIEW

LIGHTNING PROTECTION CLAMP ON  
MAST ARM POLE "DETAIL F"



(\*) NOTE:  
AIR TERMINAL SHALL BE ABOVE THE  
DEVICE(S) IT'S PROTECTING BY  
A MINIMUM OF 12 INCHES.

LIGHTNING PROTECTION CLAMP ON  
ALUMINUM STEEL GUSSETED TUBE  
"DETAIL G"

NOT TO SCALE

MICHIGAN DEPARTMENT OF TRANSPORTATION  
BUREAU OF HIGHWAYS DELIVERY STANDARD PLAN

FHWA APPROVAL DATE

PLAN DATE

SIG-231-A

SHEET  
6 of 6