

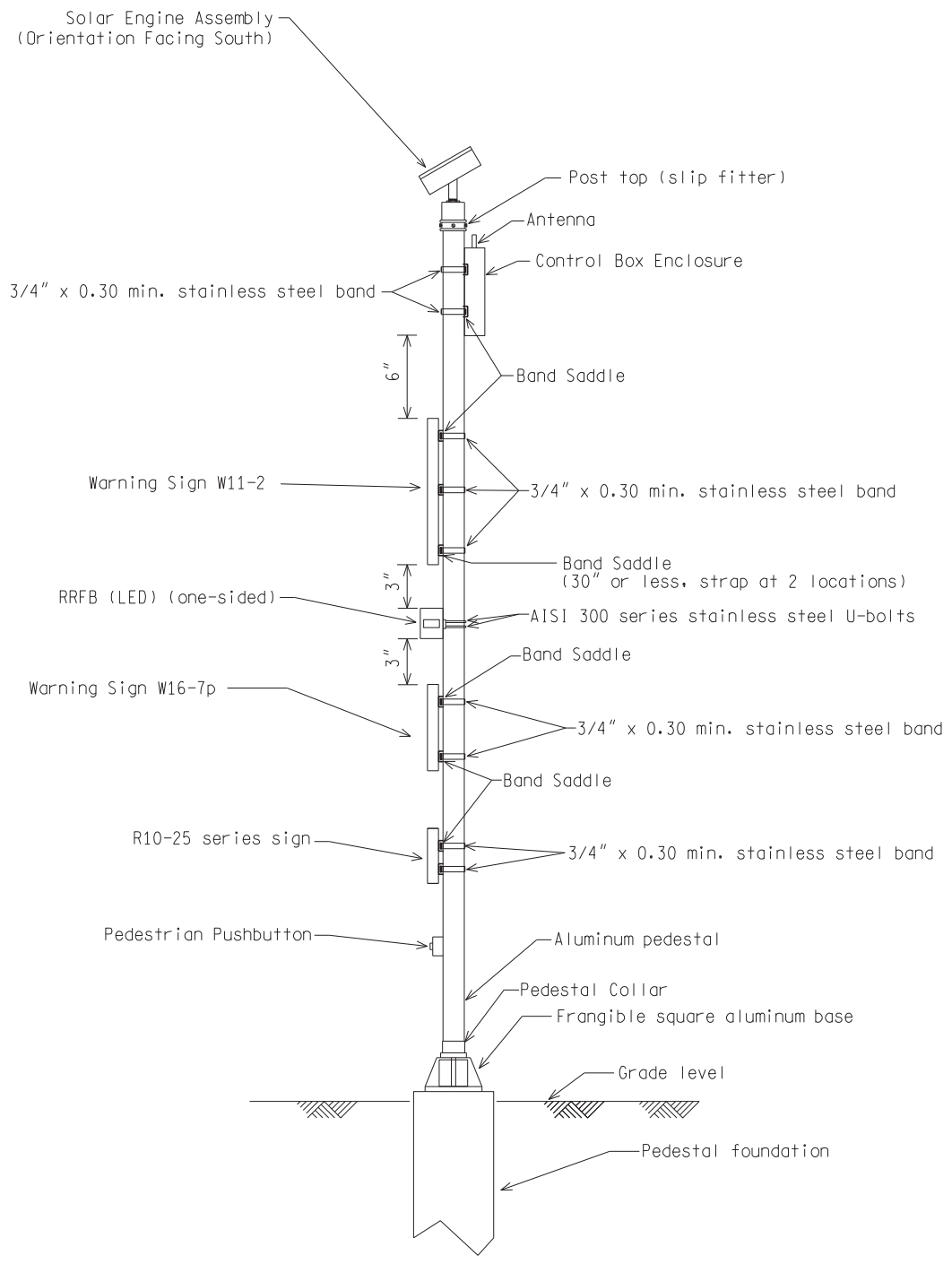
FRONT VIEW

SOLAR POWER ASSEMBLY (ONE-SIDED RRFB)

NOT TO SCALE

File: RefDoc/TR/Signals/Web/Sp Det/Fin/SIG321A.dgn Rev: 02/16/17

<p>PREPARED BY TRAFFIC AND SAFETY</p>	<p>ENGINEER OF DELIVERY</p>	<p>MICHIGAN DEPARTMENT OF TRANSPORTATION BUREAU OF HIGHWAYS DELIVERY STANDARD PLAN FOR</p> <p>RECTANGULAR RAPID FLASHING BEACON</p>	
	<p>ENGINEER OF DEVELOPMENT</p>		
<p>DRAWN BY:</p>	<p>(SPECIAL DETAIL)</p>	<p>SIG-321-A</p>	<p>SHEET 1 of 5</p>
<p>CHECKED BY:</p>	<p>FHWA APPROVAL DATE</p>		



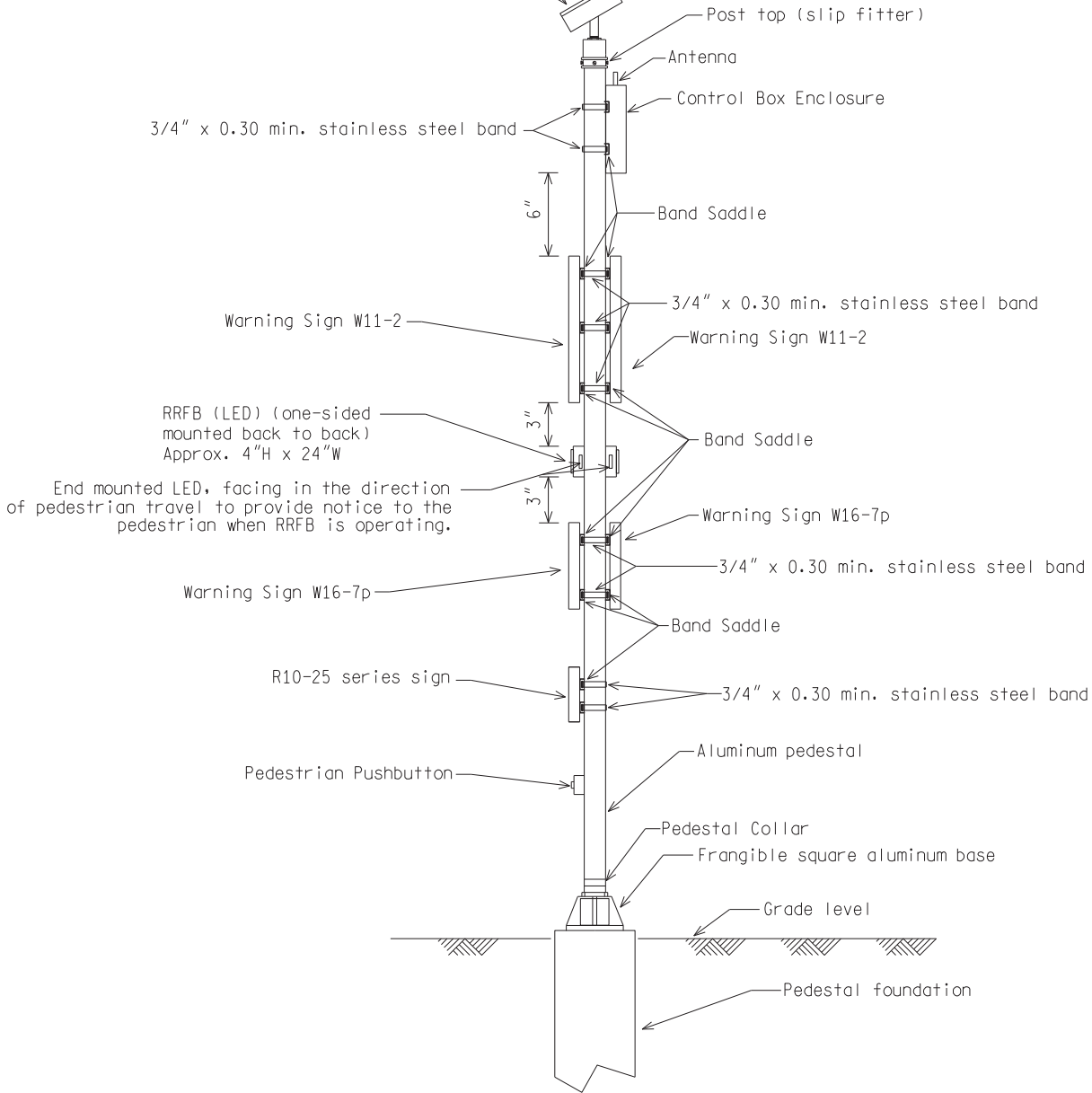
SIDE VIEW

SOLAR POWER ASSEMBLY (ONE-SIDED RRFB)

NOT TO SCALE

MICHIGAN DEPARTMENT OF TRANSPORTATION BUREAU OF HIGHWAYS DELIVERY STANDARD PLAN	(SPECIAL DETAIL) FHWA APPROVAL DATE	PLAN DATE	SIG-321-A	SHEET 2 of 5
File: RefDoc/TR/Signals/Web/Sp Det/Fin/SIG321A.dgn	Rev. 02/16/17	PLAN DATE	SIG-321-A	SHEET 2 of 5

Solar Engine Assembly
(Orientation Facing South)



SIDE VIEW

SOLAR POWER ASSEMBLY (TWO-SIDED RRFB)

NOT TO SCALE

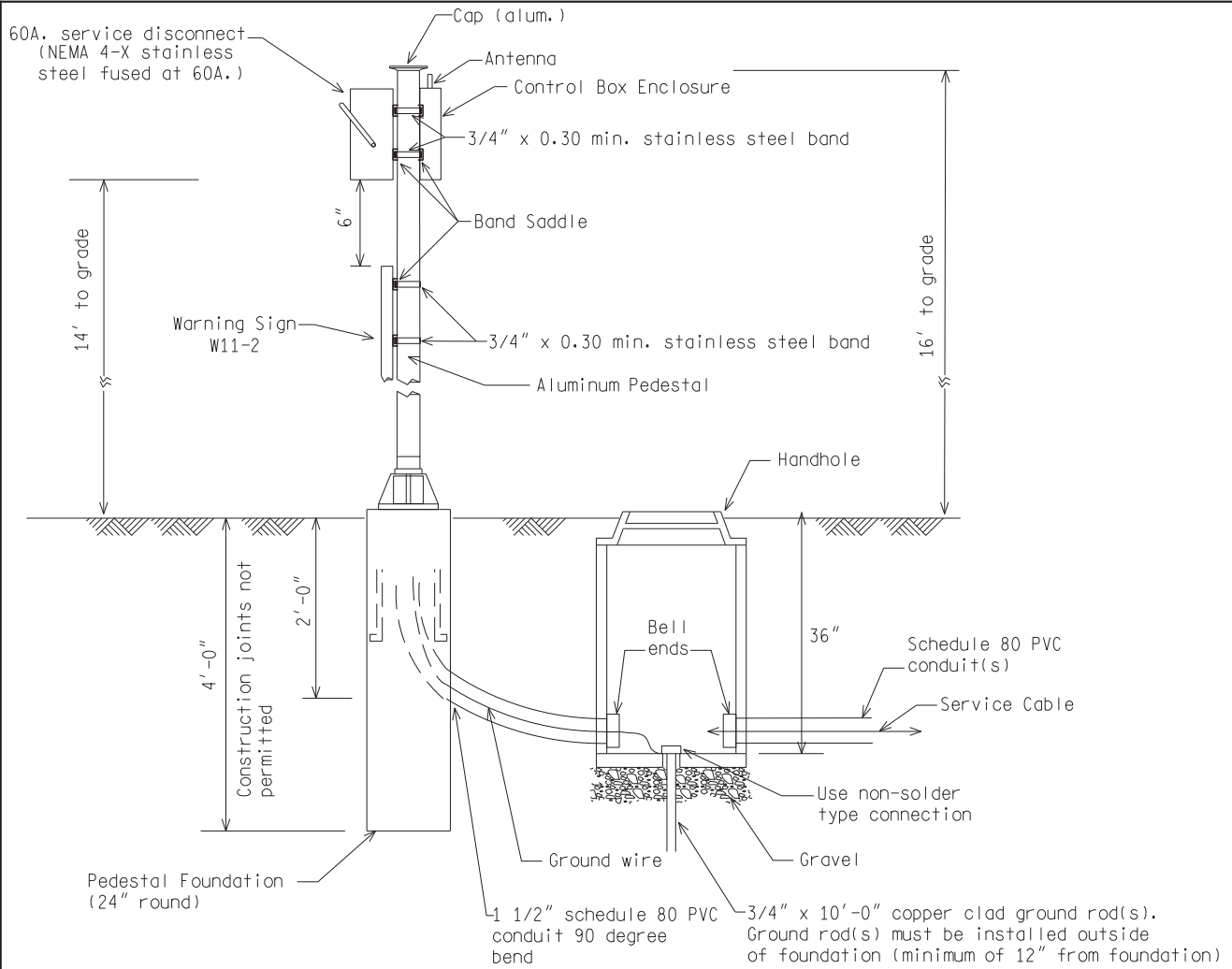
MICHIGAN DEPARTMENT OF TRANSPORTATION
BUREAU OF HIGHWAYS DELIVERY STANDARD PLAN

(SPECIAL DETAIL)
FHWA APPROVAL DATE

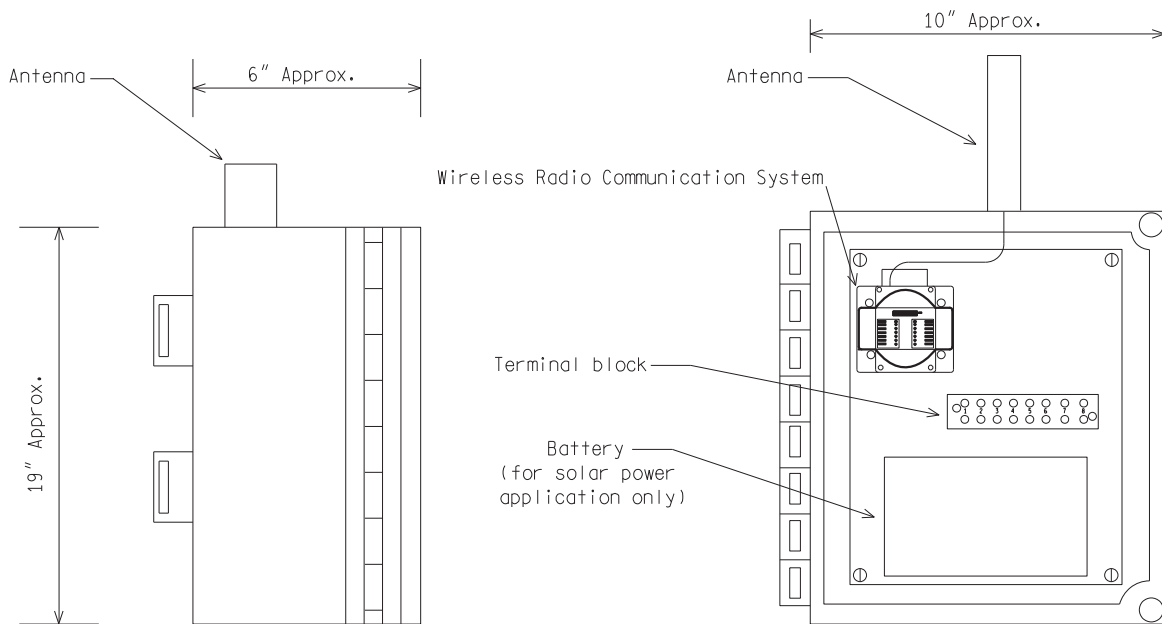
PLAN DATE

SIG-321-A

SHEET
3 of 5



PERMANENT POWER SOURCE (RRFB)



SIDE VIEW CONTROL BOX ENCLOSURE DETAIL INSIDE VIEW

NOT TO SCALE

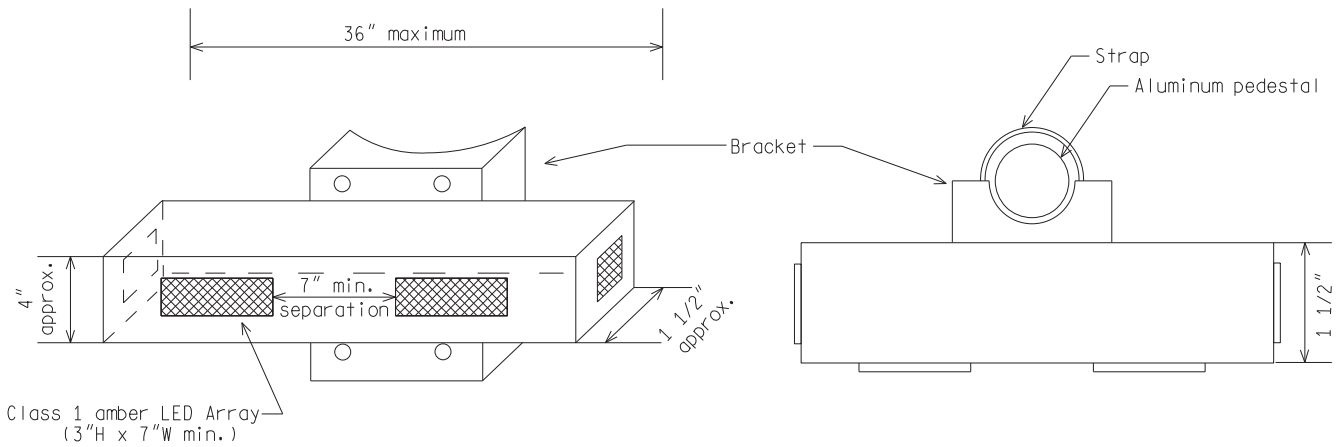
MICHIGAN DEPARTMENT OF TRANSPORTATION
BUREAU OF HIGHWAYS DELIVERY STANDARD PLAN

(SPECIAL DETAIL)
FHWA APPROVAL DATE

PLAN DATE

SIG-321-A

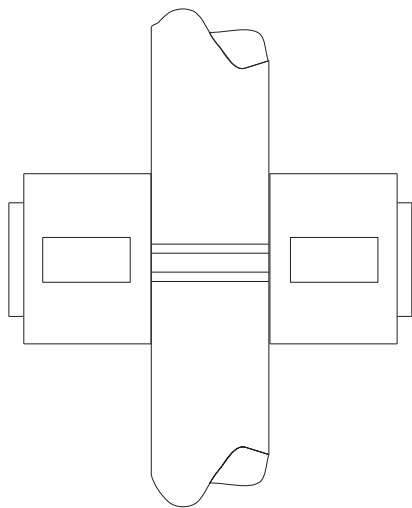
SHEET
4 of 5



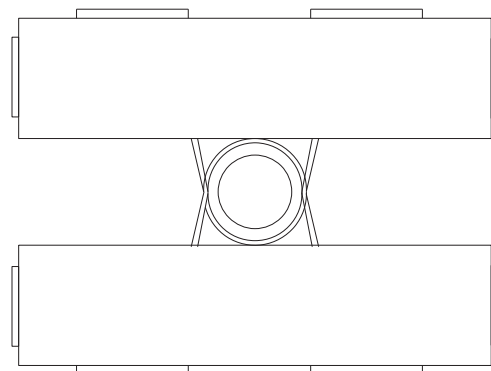
FRONT VIEW

TOP VIEW

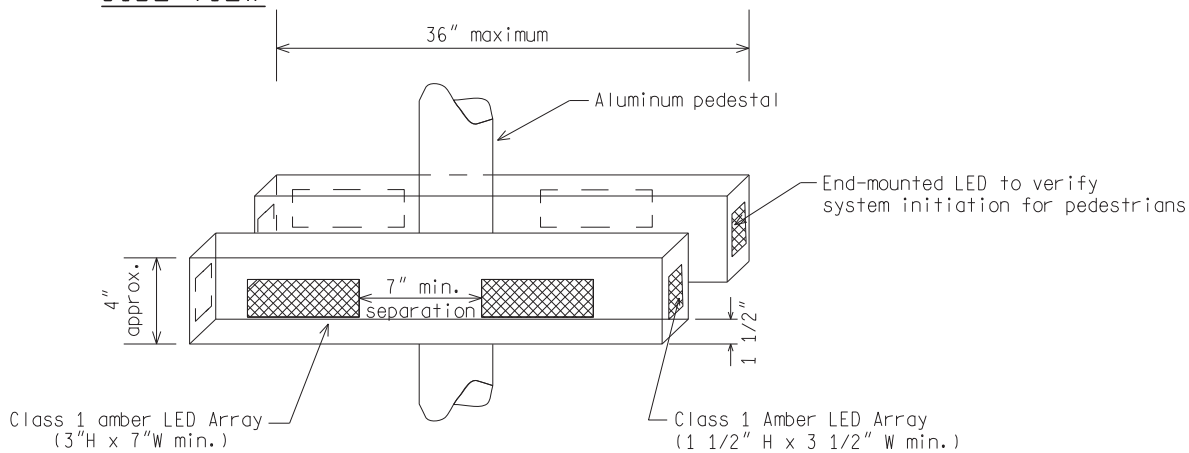
ONE-WAY RRFB (4 LED' S)



SIDE VIEW



TOP VIEW



FRONT VIEW

TWO-WAY RRFB (8 LED' S)
TWO ONE WAY MOUNTED BACK TO BACK

- Notes: 1) All dimensions are approximate.
 2) Use manufacturer's recommended mounting brackets, fittings, and connectors.
 3) Use AISI 300 series stainless steel hardware.

NOT TO SCALE