

	Color	Diagonal Span If Required	All Traffic Signals	Pedestrian	Pushbutton	Case Sign or Street Sign if Required	
		20/C	7/C	7/C	2/C	3/C	
1	White	Common (case sign)	Common	Common	Common	Common	
2	Black	Case sign	Spare	Spare	24V+	120V AC	
3	Red	A Ø-Red	A Ø-Red	DW1		Ground	
4	Green	A Ø-Green	A Ø-Green	W1			
5	Orange	A Ø-Amber	A Ø-Amber	DW2			
6	Blue	Green arrow	Green arrow	W2			
7	White w/black tracer	C Ø-Amber	FYA	Spare common			
8	Green w/black tracer	B Ø-Green					
9	Orange w/black tracer	B Ø-Amber					
10	Red w/black tracer	B Ø-Red					
11	Blue w/black tracer	C Ø-Green					
12	Black w/white tracer	C Ø-Red					
13	Green w/white tracer	D Ø-Green					
14	Orange w/red tracer	D Ø-Amber					
15	Red w/white tracer	D Ø-Red					
16	Black w/red tracer	FYA					
17	Blue w/white tracer	Spare					
18	Blue w/red tracer	Common					
19	White w/red tracer	Common					
20	Red w/green tracer	Case sign ground					

#12/3-conductor-colors 1 through 3
#16/7-conductor-colors 1 through 7
#14/12-conductor-colors 1 through 12
#14/20-conductor-colors 1 through 20
#12/2-conductor shielded 1 through 2

COLOR CODE FOR WIRING CONNECTION SIGNAL LAMPS

NOTE:

Neutrals from each LED shall be on individual terminals on terminal strip inside signal head, so that each neutral can be individually removed without affecting the performance of any other LED.

NOTE:

For 7/C traffic signal wires apply phase tape at any termination point as follows:

- A Ø-Green
- B Ø-Orange
- C Ø-Red
- D Ø-Blue

NOT TO SCALE

File: PW:TR/Sig/Web/OCSD/Develop/oc 026a.dgn

Rev. 09/18/12



PREPARED BY
TRAFFIC AND SAFETY

ENGINEER OF DELIVERY

ENGINEER OF DEVELOPMENT

MICHIGAN DEPARTMENT OF TRANSPORTATION
BUREAU OF HIGHWAYS DELIVERY STANDARD PLAN FOR

COLOR CODE FOR WIRING OF SIGNALS

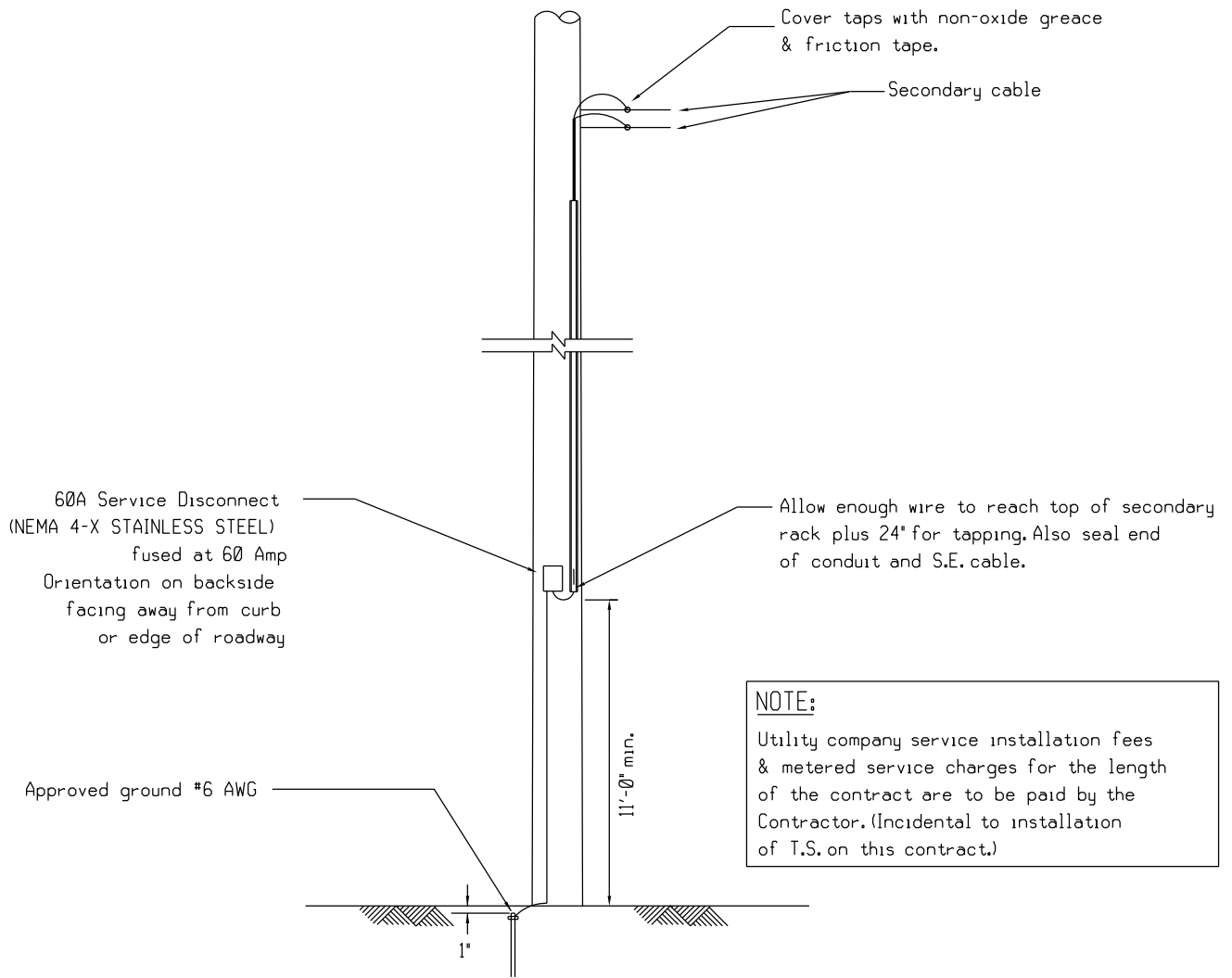
DRAWN BY:
CHECKED BY:

(SPECIAL DETAIL)
FHWA APPROVAL DATE

APRIL 2010
PLAN DATE

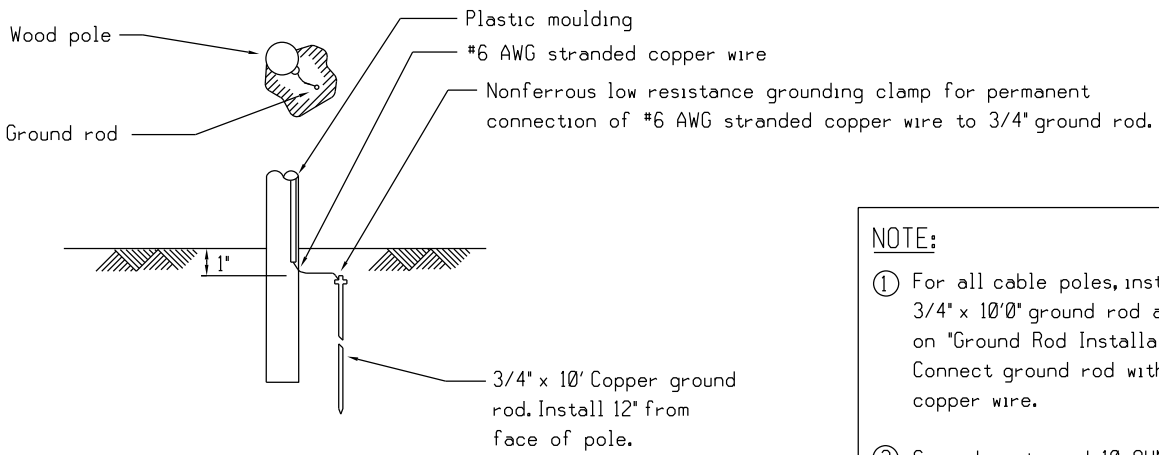
OC-026-A

SHEET
1 of 1



NOTE:
Utility company service installation fees & metered service charges for the length of the contract are to be paid by the Contractor. (Incidental to installation of T.S. on this contract.)

DETAIL A: SERVICE POLE



NOTE:

- ① For all cable poles, install one 3/4" x 10'0" ground rod as shown on "Ground Rod Installation". Connect ground rod with #6 AWG copper wire.
- ② Ground must read 10 OHMS or less.

DETAIL B: GROUND ROD INSTALLATION

NOT TO SCALE

File: PW:TR/Sig/Web/OCSD/Develop/oc 24.dgn

Rev. 12/28/12



PREPARED BY
TRAFFIC AND SAFETY

DRAWN BY:
CHECKED BY:

ENGINEER OF DELIVERY

ENGINEER OF DEVELOPMENT

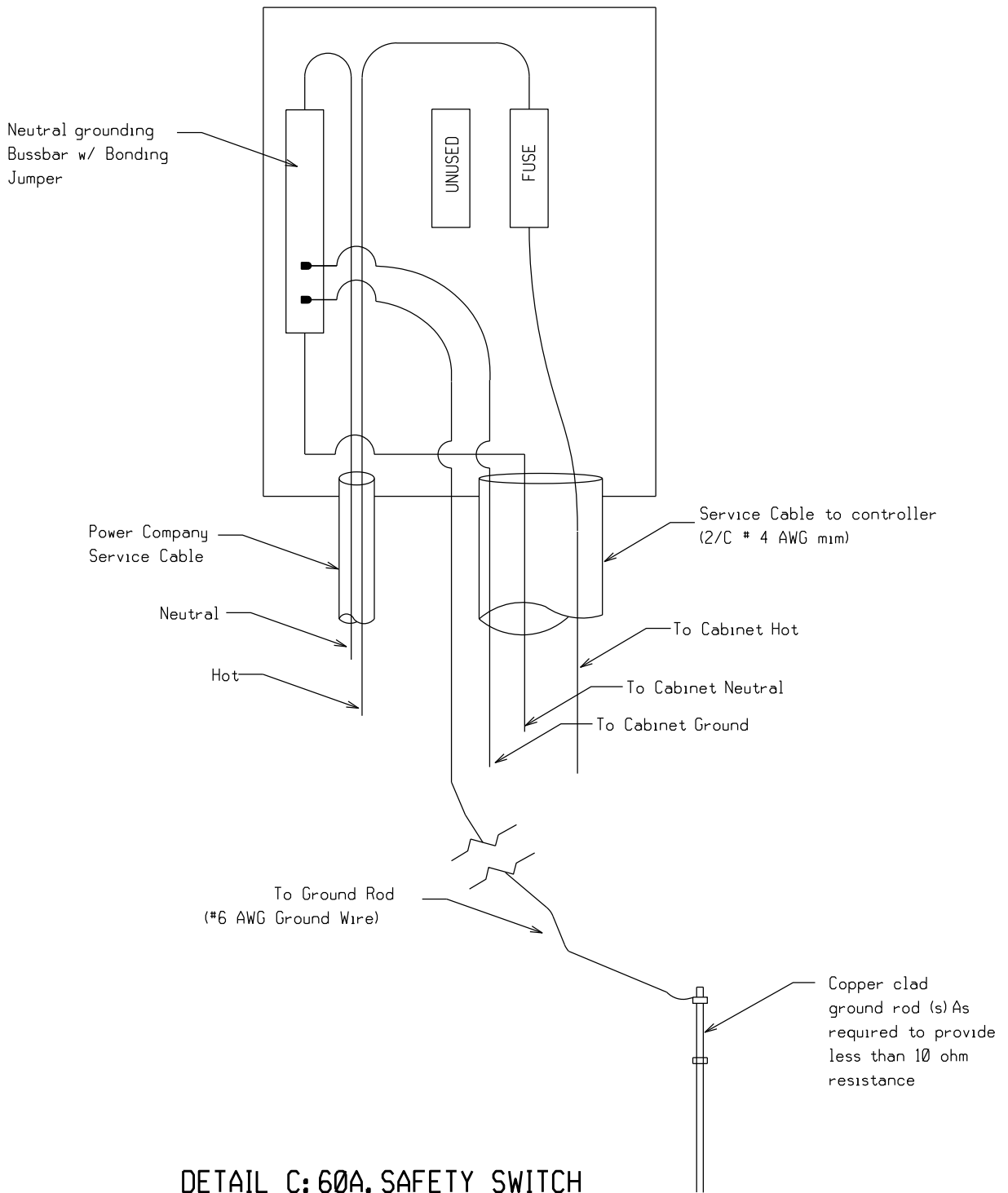
(SPECIAL DETAIL)
FHWA APPROVAL DATE

MICHIGAN DEPARTMENT OF TRANSPORTATION
BUREAU OF HIGHWAYS DELIVERY STANDARD PLAN FOR
TYPICAL CABLE POLES

APRIL 2010
PLAN DATE

OC-050-C

SHEET
1 of 2



DETAIL C: 60A. SAFETY SWITCH

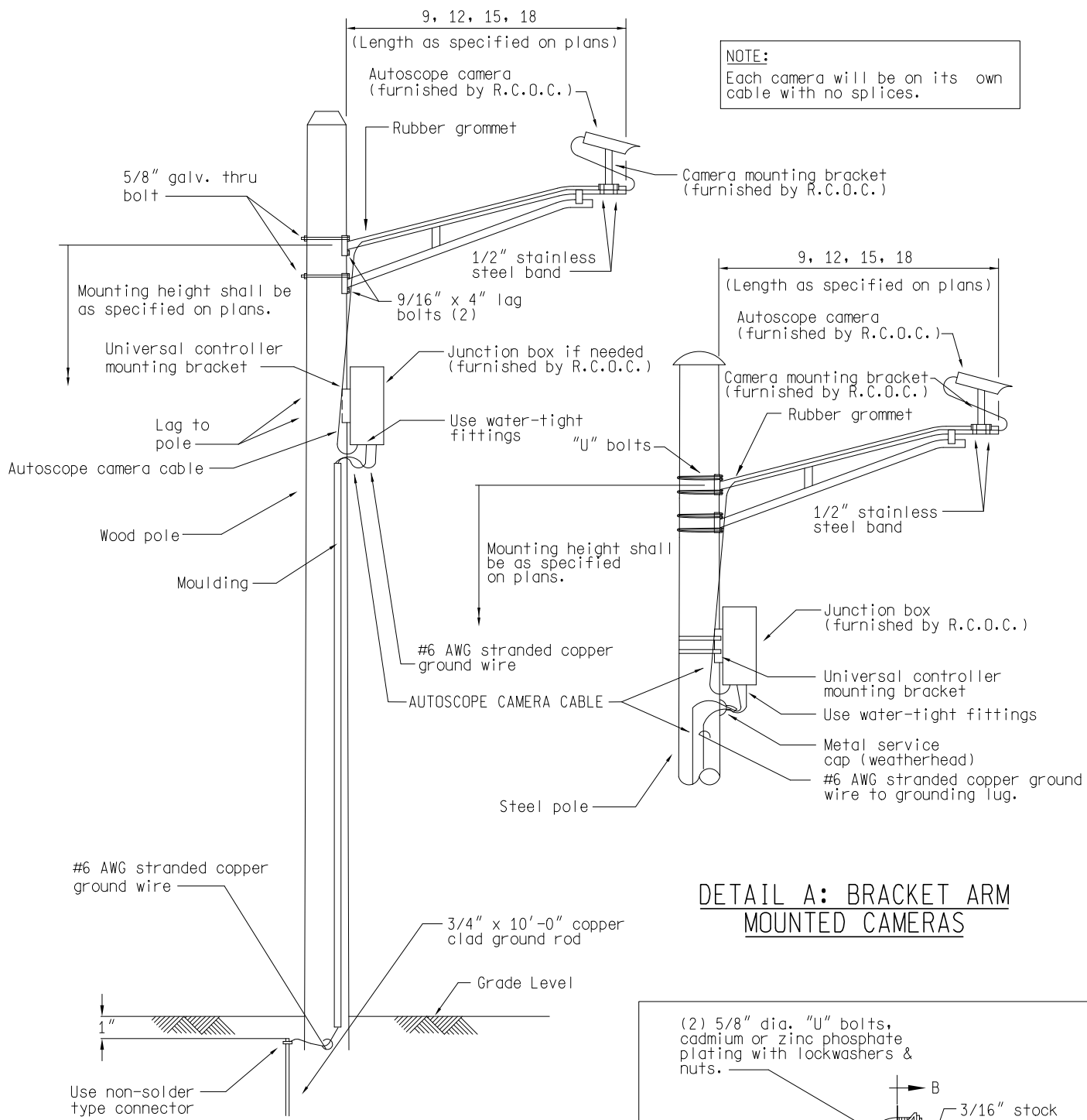
NOTES:

- 1. Seperate ground rods shall be used when controller & safety switch are not on the same pole.
- 2. Check for 10 OHMs or less.

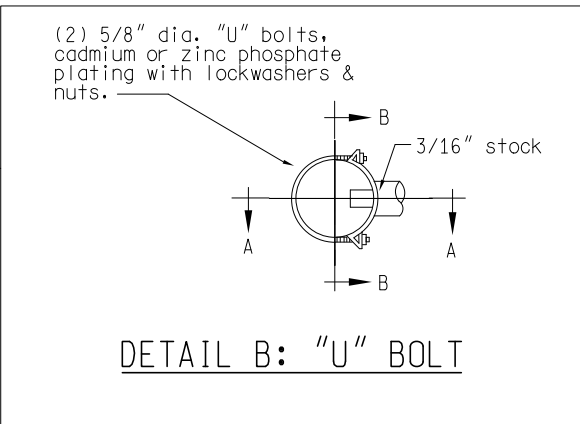
NOT TO SCALE

ROAD COMMISSION FOR OAKLAND COUNTY	(SPECIAL DETAIL) FHWA APPROVAL DATE	APRIL 2010	OC-050-C	SHEET 2 of 2
File: PW:TR/Sig/Web/OCSD/Develop/oc 24.dgn	Rev. 12/28/12	PLAN DATE		

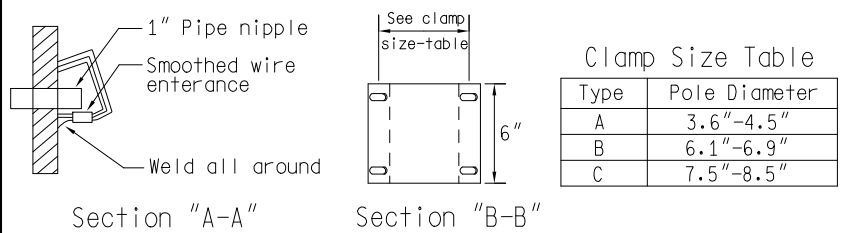
NOTE:
Each camera will be on its own cable with no splices.



DETAIL A: BRACKET ARM MOUNTED CAMERAS



DETAIL B: "U" BOLT



DETAIL C: CLAMPS

NOT TO SCALE

File: PW:RD/TR/Signals/Web/Oakland County SD/Final Rev. 09/18/12

MDOT
Michigan Department of Transportation

PREPARED BY
TRAFFIC AND SAFETY

DRAWN BY: _____

CHECKED BY: _____

ENGINEER OF DELIVERY

ENGINEER OF DEVELOPMENT

(SPECIAL DETAIL)
FHWA APPROVAL DATE

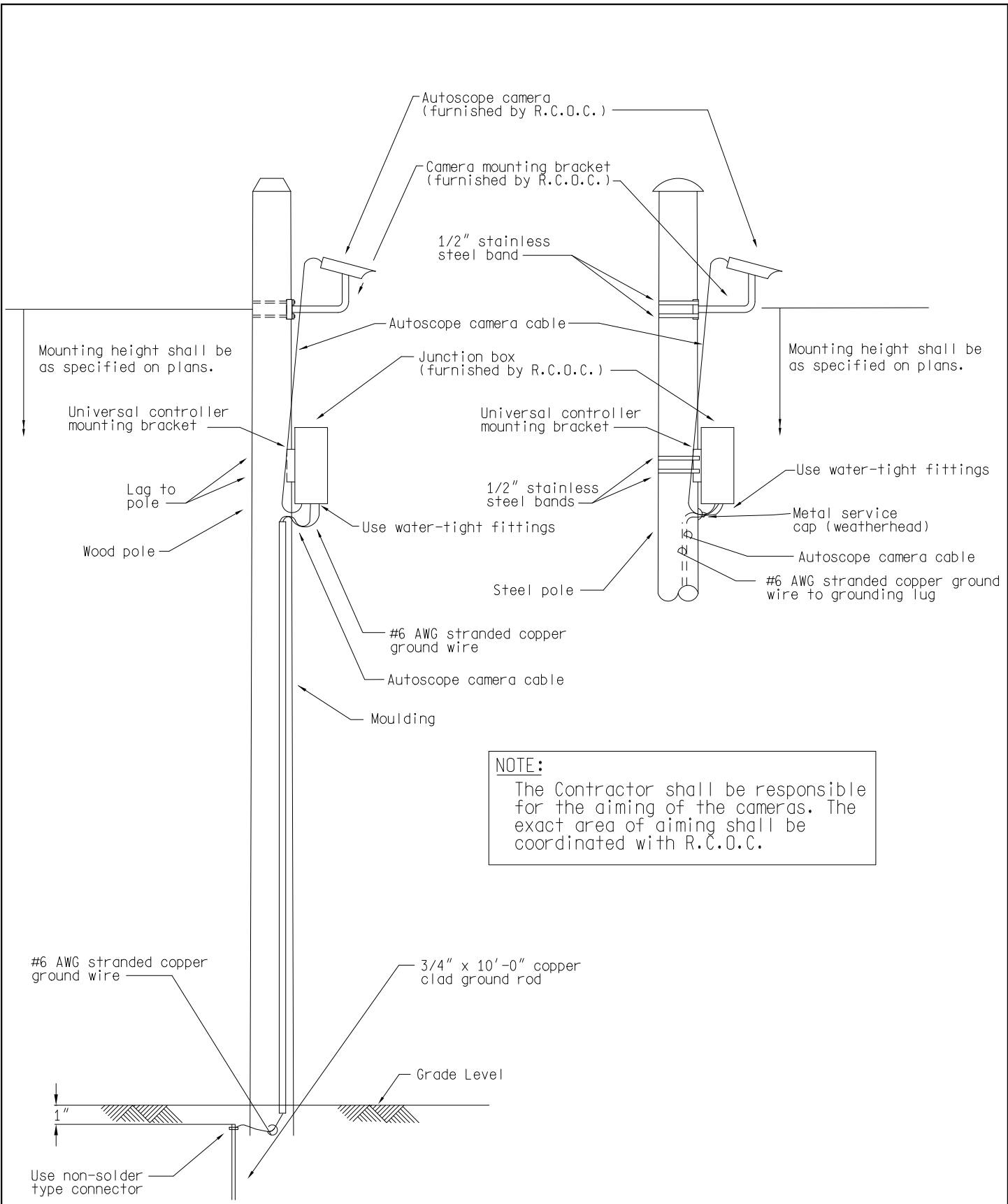
MICHIGAN DEPARTMENT OF TRANSPORTATION
BUREAU OF HIGHWAYS DELIVERY STANDARD PLAN FOR

**AUTOSCOPE CAMERA
INSTALLATION**

APRIL 2010
PLAN DATE

OC-380-A

SHEET
1 of 4

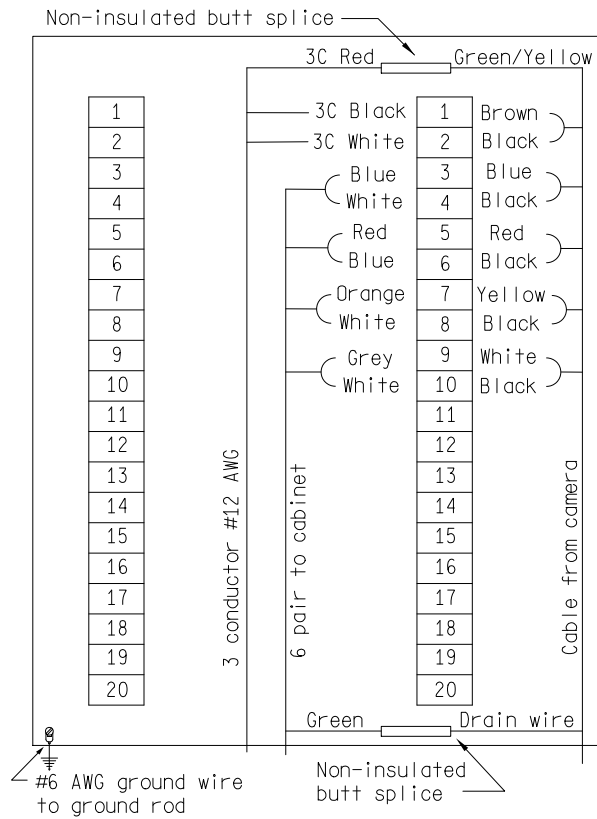


NOTE:
 The Contractor shall be responsible for the aiming of the cameras. The exact area of aiming shall be coordinated with R.C.O.C.

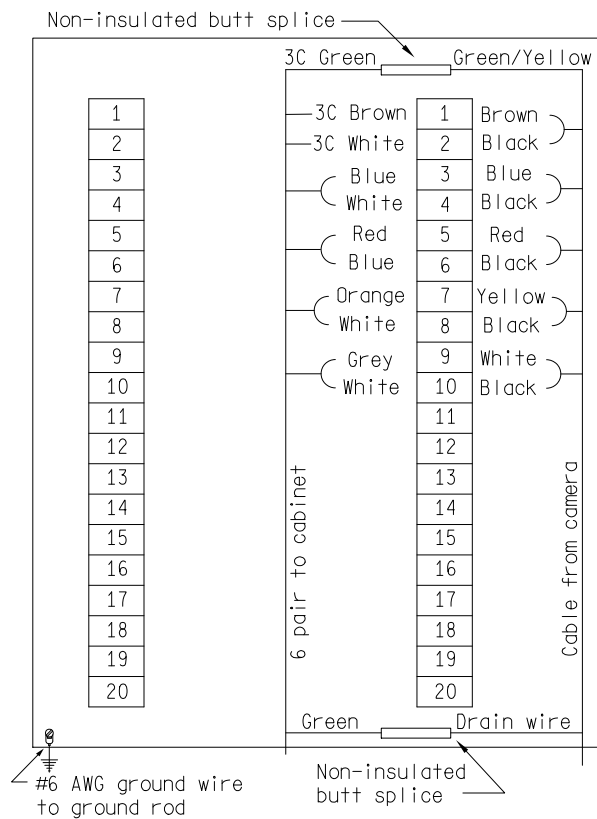
DETAIL D: POLE MOUNTED CAMERAS

NOT TO SCALE

MICHIGAN DEPARTMENT OF TRANSPORTATION BUREAU OF HIGHWAYS DELIVERY STANDARD PLAN		(SPECIAL DETAIL) FHWA APPROVAL DATE		APRIL 2010 PLAN DATE	OC-380-A	SHEET 2 of 4
File:		Rev. 09/18/12				



DETAIL A: AUTOSCOPE SOLO WIRING DIAGRAM FOR LOCATIONS OF MORE THAN 650'



DETAIL B: AUTOSCOPE SOLO WIRING DIAGRAM FOR LOCATIONS OF 650' OR LESS

NOT TO SCALE

MICHIGAN DEPARTMENT OF TRANSPORTATION
BUREAU OF HIGHWAYS DELIVERY STANDARD PLAN

(SPECIAL DETAIL)
FHWA APPROVAL DATE

APRIL 2010
PLAN DATE

OC-380-A

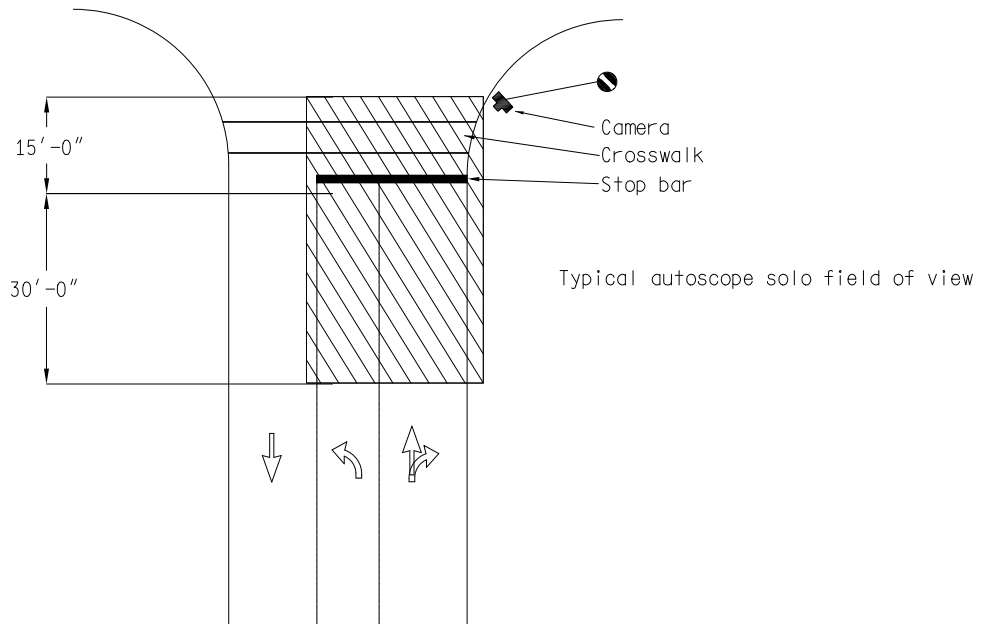
SHEET
3 of 4

File:

Rev. 09/18/12

Wire Color	Signal	Terminal
Brown	24V. PWR	1
White	24V. RTN	2
Green	EARTH GRD	3
Blue	SUP RX+	4
White	SUP RX-	5
Red	SUP TX+	6
Blue	SUP TX-	7
Orange	DET+	8
White	DET-	9
Grey	VIDEO+	10
White	VIDEO-	11

DETAIL C: AUTOSCOPE SOLO COMMUNICATIONS INTERFACE PANEL DIAGRAM



DETAIL D: TYPICAL AUTOSCOPE SOLO FIELD OF VIEW DIAGRAM

NOT TO SCALE

MICHIGAN DEPARTMENT OF TRANSPORTATION
BUREAU OF HIGHWAYS DELIVERY STANDARD PLAN

(SPECIAL DETAIL)
FHWA APPROVAL DATE

APRIL 2010
PLAN DATE

OC-380-A

SHEET
4 of 4

File:

Rev. 09/18/12