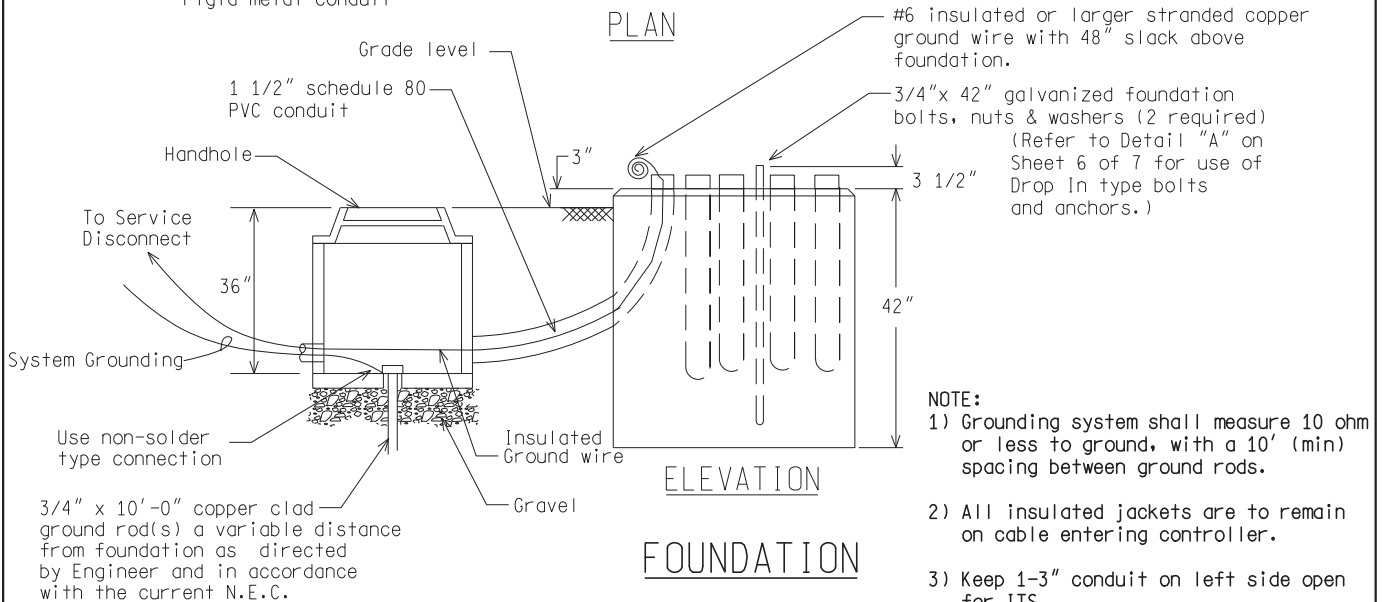
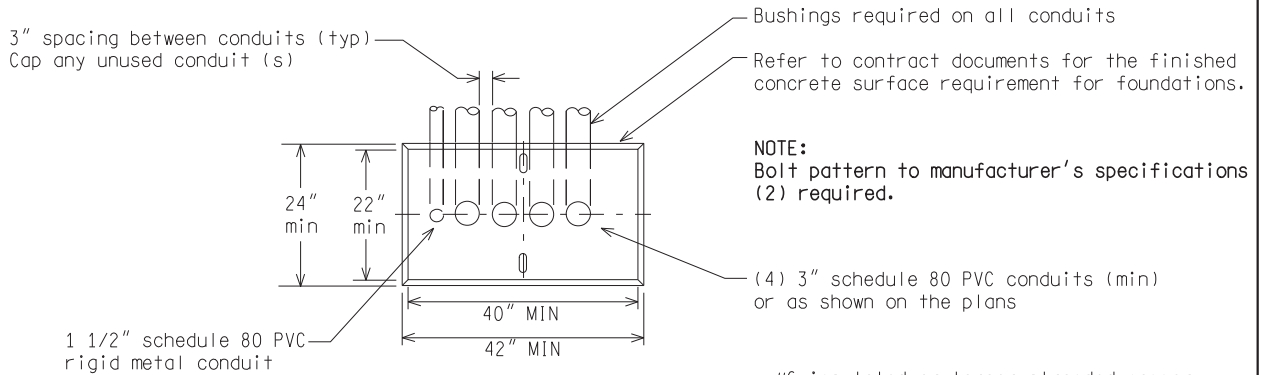


Vented aluminum cabinet with base mounting shall be Type NEMA 3R Size M-30

## BASE MOUNTED TRAFFIC SIGNAL CONTROLLER CABINET



NOT TO SCALE

File: RefDoc/TR/Signals/Web/Sp Det/Fin/SIG110A.dgn Rev: 02/16/17



PREPARED BY  
TRAFFIC AND SAFETY

DRAWN BY:

CHECKED BY:

ENGINEER OF DELIVERY

ENGINEER OF DEVELOPMENT

(SPECIAL DETAIL)

FHWA APPROVAL DATE

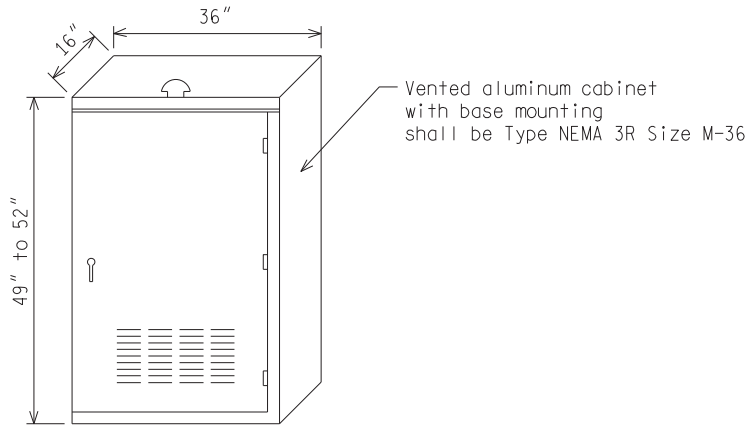
MICHIGAN DEPARTMENT OF TRANSPORTATION  
BUREAU OF HIGHWAYS DELIVERY STANDARD PLAN FOR

BASE MOUNTED T.S.  
CONTROLLER CABINET/FOUNDATIONS

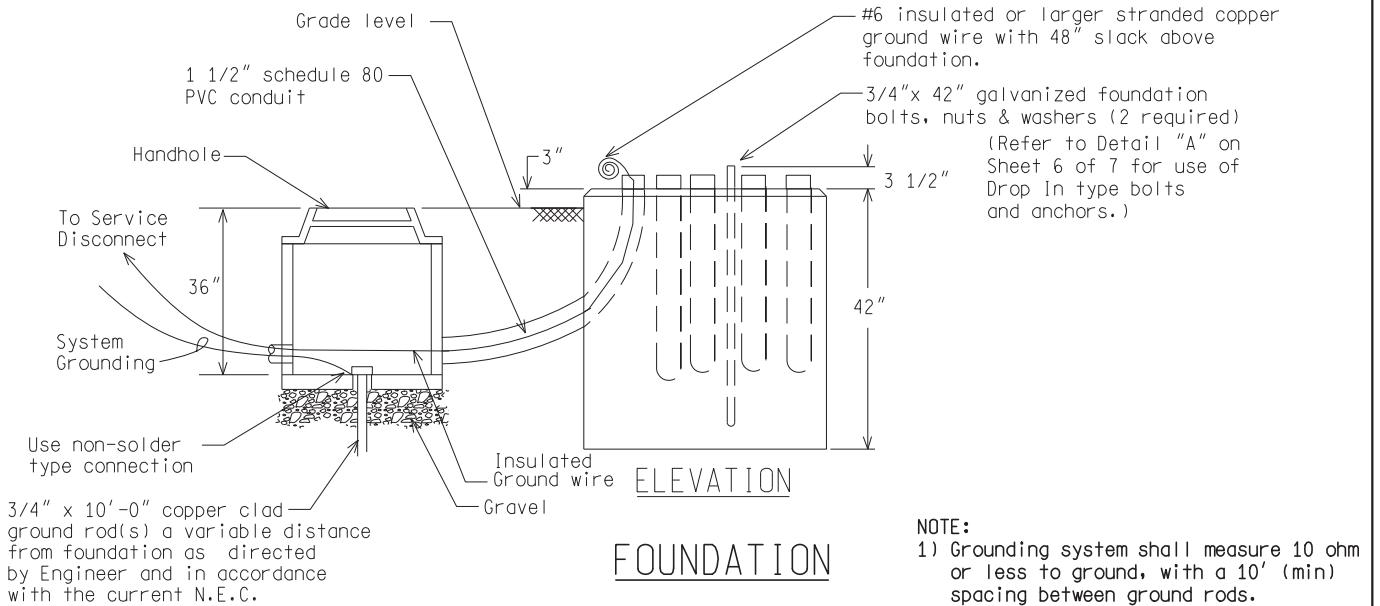
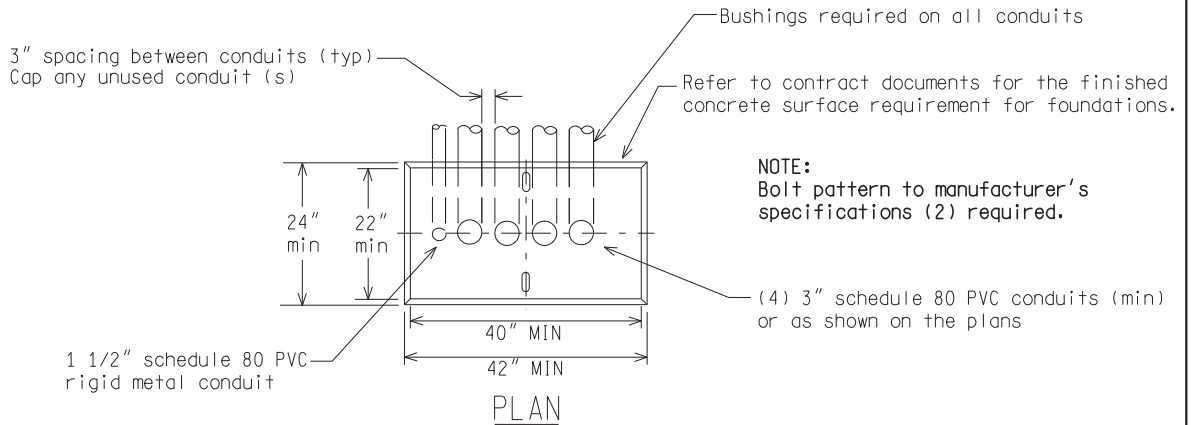
PLAN DATE

SIG-110-A

SHEET  
1 of 7



## BASE MOUNTED TRAFFIC SIGNAL CONTROLLER CABINET



- NOTE:**
- 1) Grounding system shall measure 10 ohm or less to ground, with a 10' (min) spacing between ground rods.
  - 2) All insulated jackets are to remain on cable entering controller.
  - 3) Keep 1-3" conduit on left side open for ITS

NOT TO SCALE

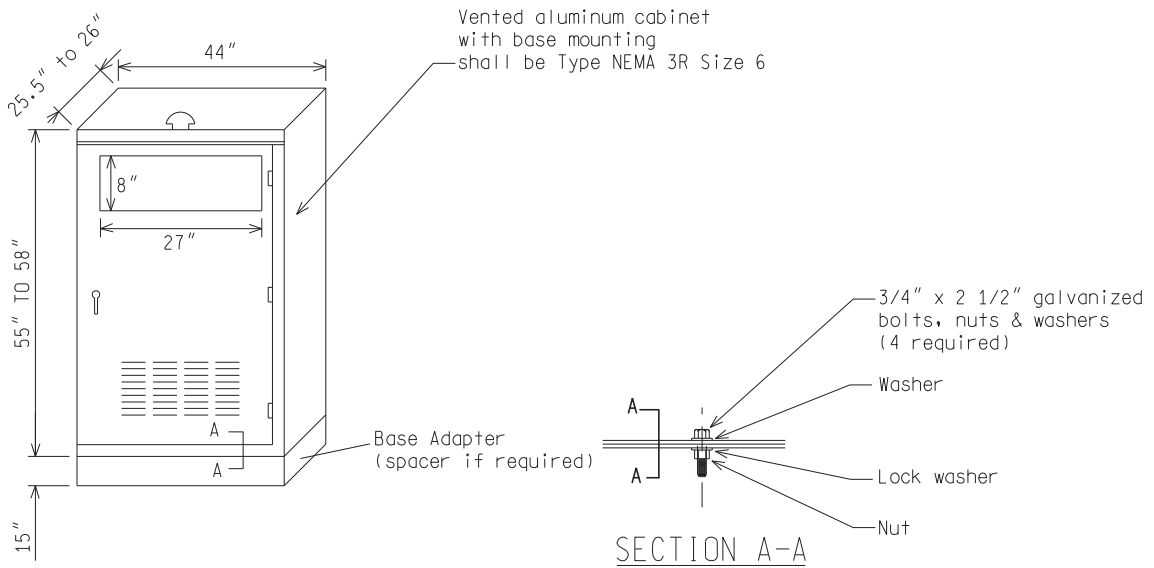
MICHIGAN DEPARTMENT OF TRANSPORTATION  
BUREAU OF HIGHWAYS DELIVERY STANDARD PLAN

(SPECIAL DETAIL)  
FHWA APPROVAL DATE

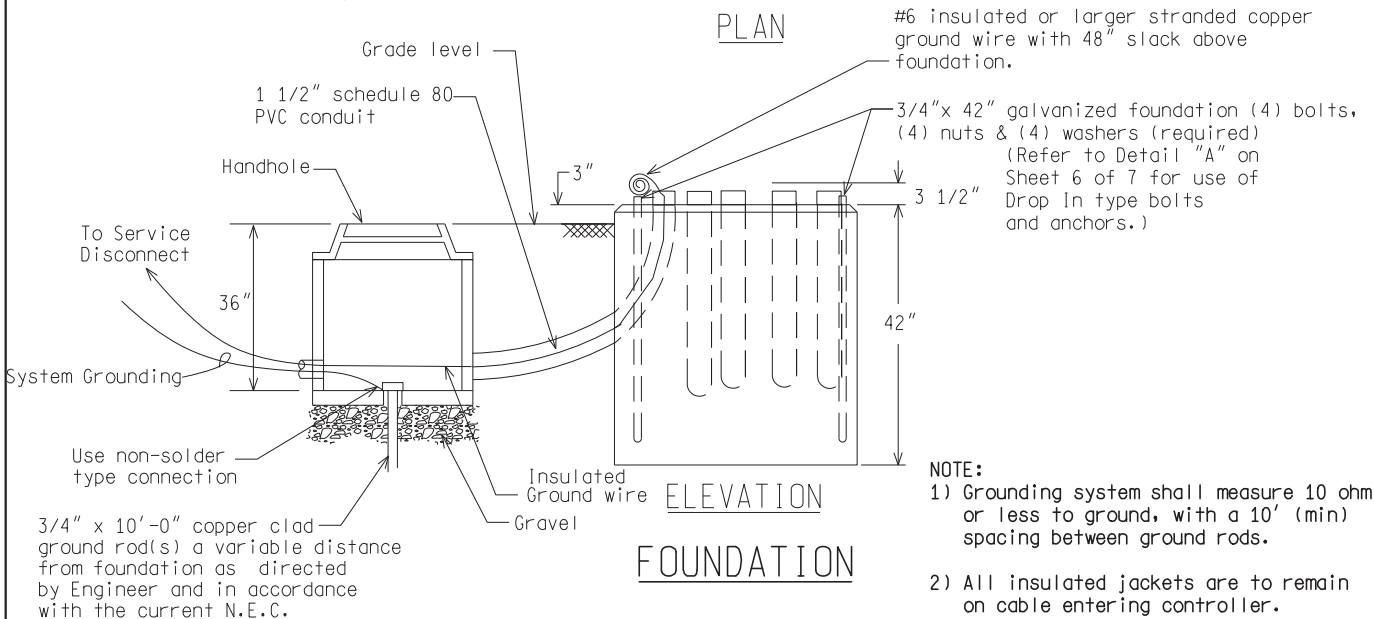
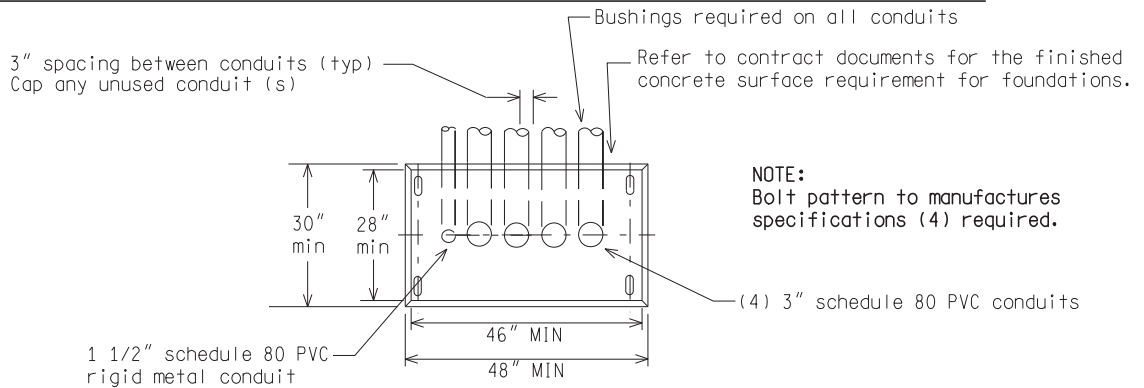
PLAN DATE

SIG-110-A

SHEET  
2 of 7



## BASE MOUNTED TRAFFIC SIGNAL CONTROLLER CABINET



NOT TO SCALE

MICHIGAN DEPARTMENT OF TRANSPORTATION  
BUREAU OF HIGHWAYS DELIVERY STANDARD PLAN

(SPECIAL DETAIL)  
FHWA APPROVAL DATE

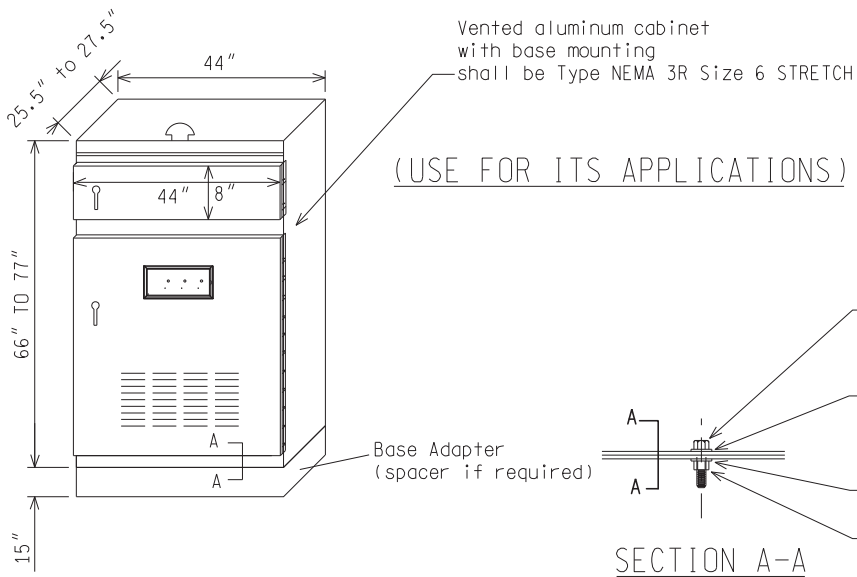
File:RefDoc/TR/Signals/Web/Sp Det/F in/SIG110A.dgn

Rev.02/16/17

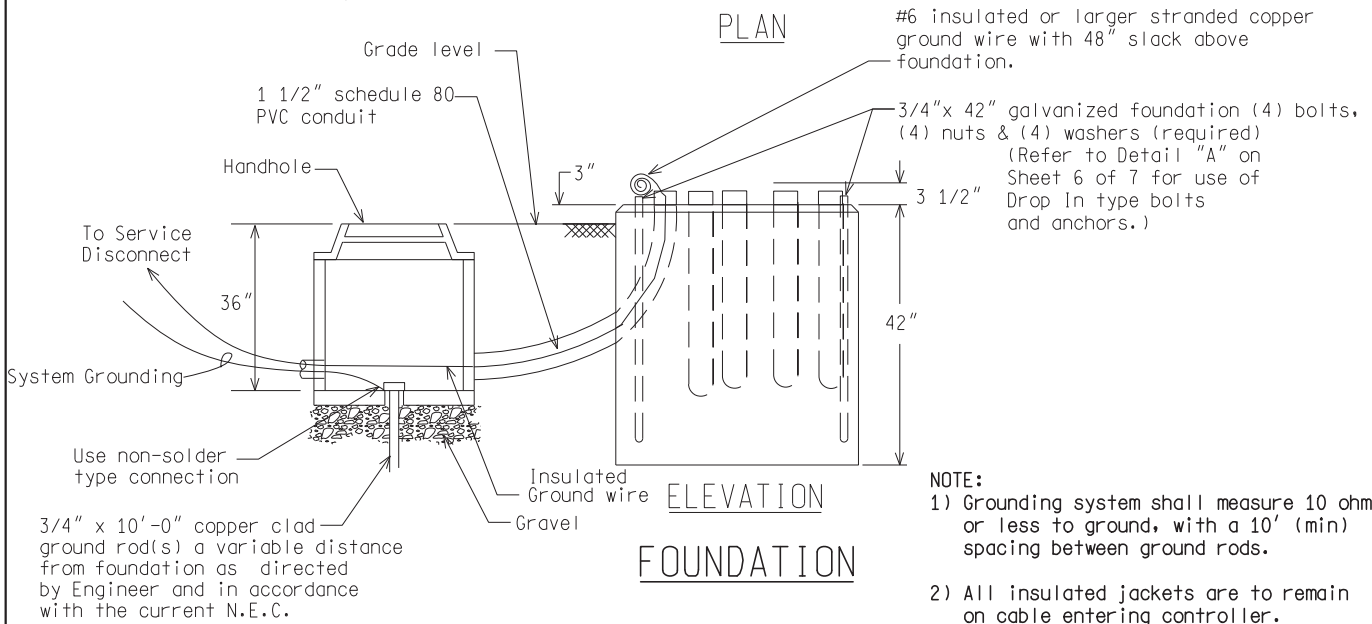
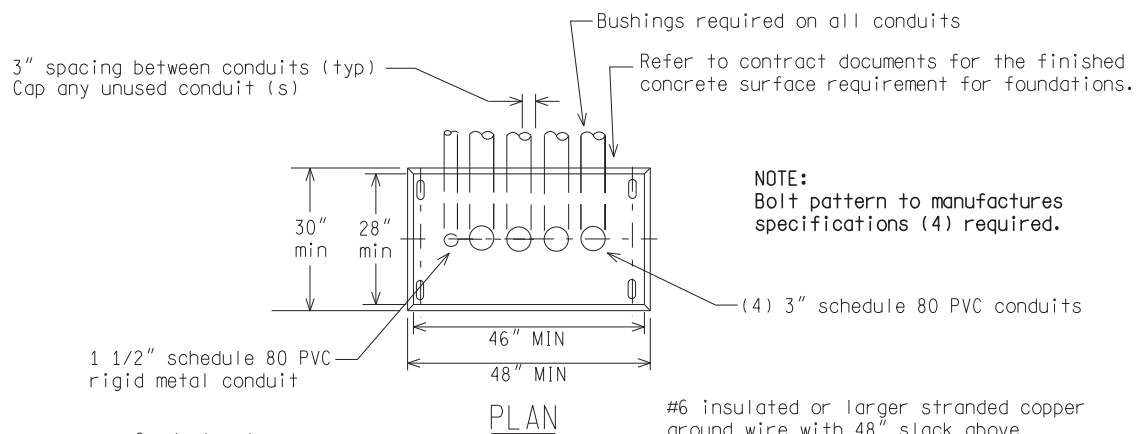
PLAN DATE

SIG-110-A

SHEET  
3 of 7

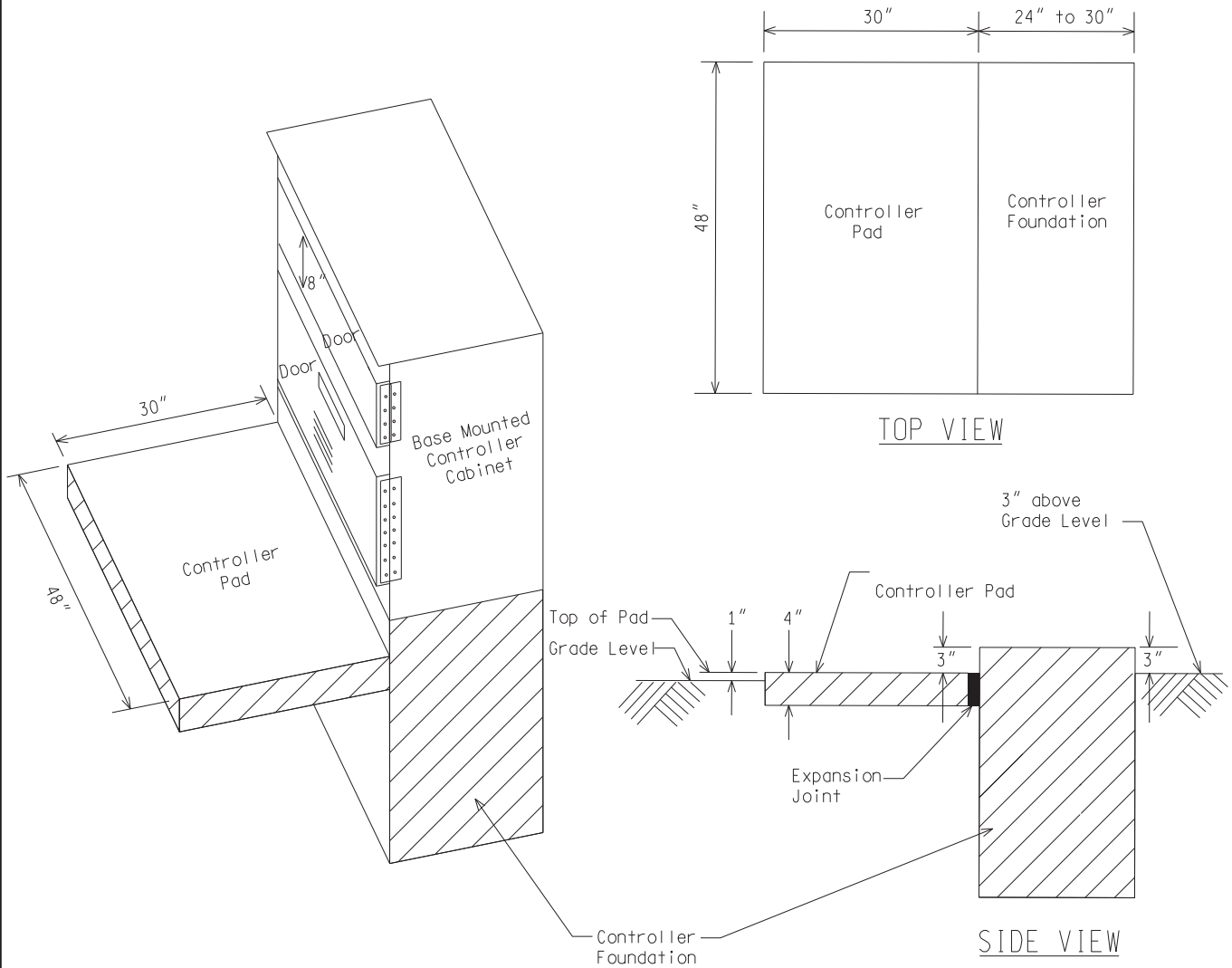


**BASE MOUNTED TRAFFIC SIGNAL ITS CONTROLLER CABINET (IF USED)**



NOT TO SCALE

MICHIGAN DEPARTMENT OF TRANSPORTATION BUREAU OF HIGHWAYS DELIVERY STANDARD PLAN	(SPECIAL DETAIL) FHWA APPROVAL DATE	PLAN DATE	SIG-110-A	SHEET 4 of 7
File: RefDoc/TR/Signals/Web/Sp Det/Fin/SIG110A.dgn Rev. 02/16/17				

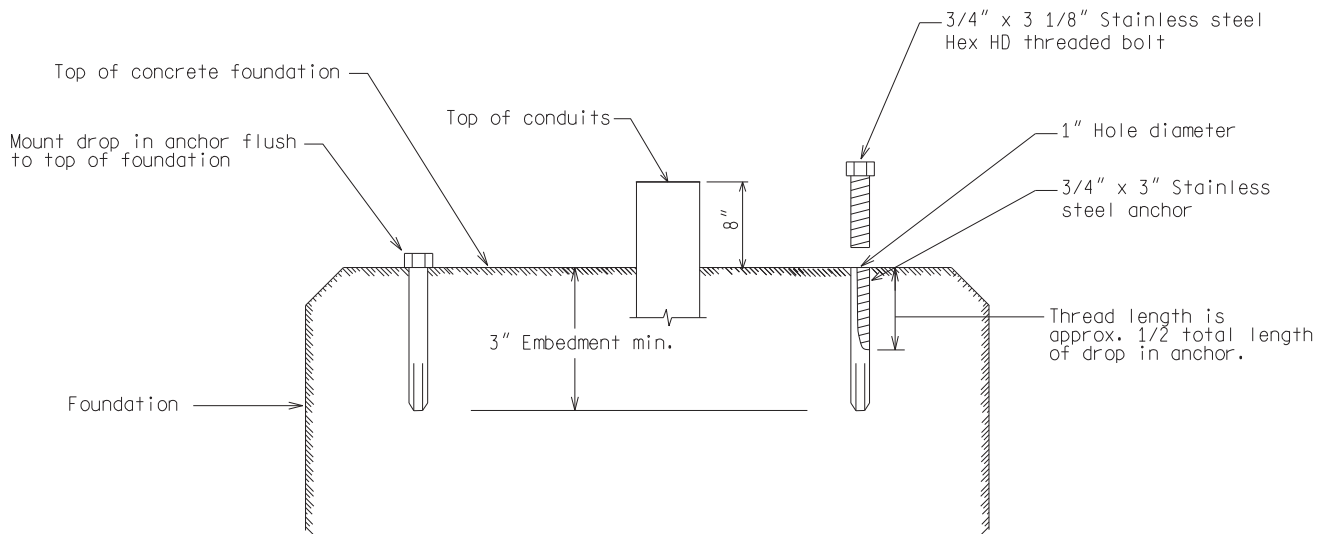


BASE MOUNTED CONTROLLER PAD

**NOTE:**  
 Payment for controller pad to be included in controller foundation pay item.  
 Controller cabinet door to open toward pad.

NOT TO SCALE

MICHIGAN DEPARTMENT OF TRANSPORTATION BUREAU OF HIGHWAYS DELIVERY STANDARD PLAN	(SPECIAL DETAIL) FHWA APPROVAL DATE		SIG-110-A	SHEET 5 of 7
File: RefDoc/TR/Signals/Web/Sp Det/Fin/SIG110A.dgn	Rev. 02/16/17	PLAN DATE		



Notes:

1. Use AISI 300 Series Stainless Steel for all bolts and anchors.
2. Use Drop In foundation bolts and anchors as directed by the Engineer.

ALTERNATIVE DETAIL "A": DROP IN FOUNDATION BOLTS & ANCHORS

NOT TO SCALE

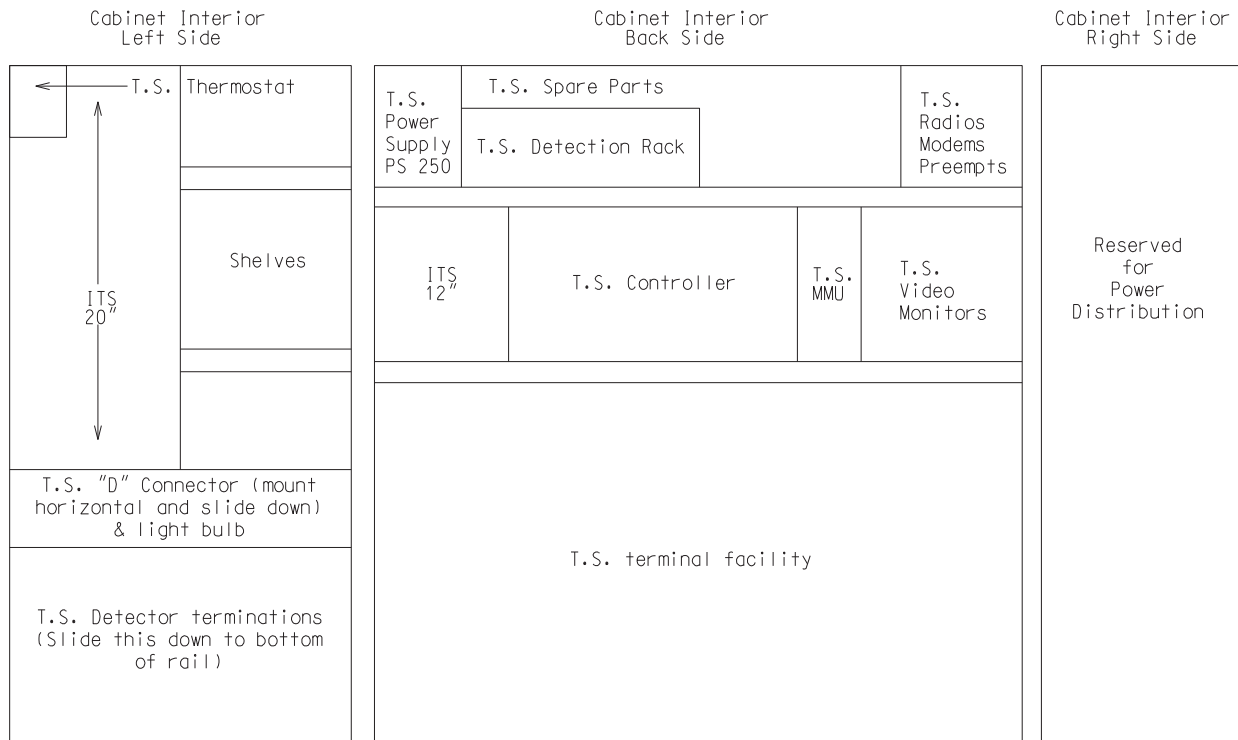
MICHIGAN DEPARTMENT OF TRANSPORTATION  
BUREAU OF HIGHWAYS DELIVERY STANDARD PLAN

(SPECIAL DETAIL)  
FHWA APPROVAL DATE

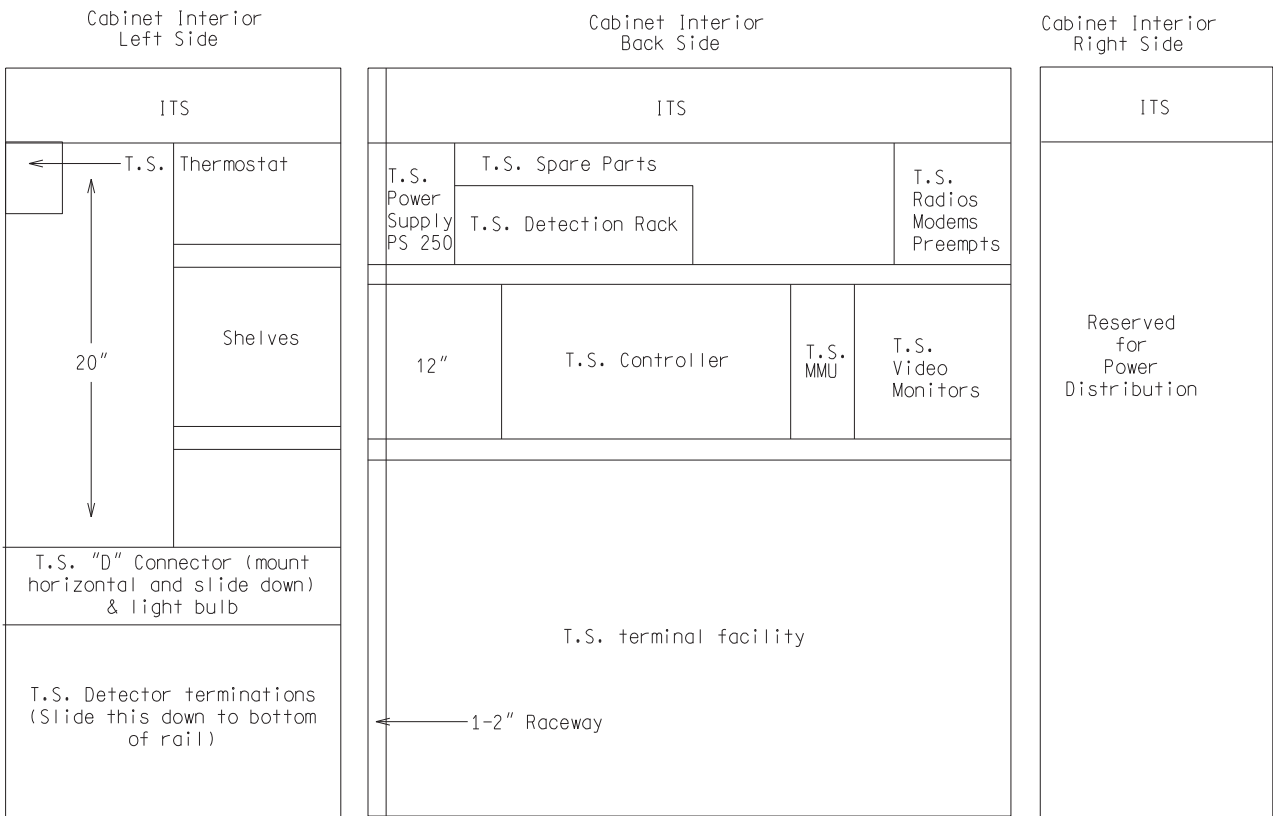
PLAN DATE

SIG-110-A

SHEET  
6 of 7



TRAFFIC SIGNAL NEMA 3R SIZE 6 CABINET REQUIREMENTS



TRAFFIC SIGNAL NEMA 3R SIZE 6 STRETCH CABINET REQUIREMENTS  
FOR  
ITS APPLICATIONS

NOT TO SCALE

MICHIGAN DEPARTMENT OF TRANSPORTATION  
BUREAU OF HIGHWAYS DELIVERY STANDARD PLAN

(SPECIAL DETAIL)  
FHWA APPROVAL DATE

PLAN DATE

SIG-110-A

SHEET  
7 of 7