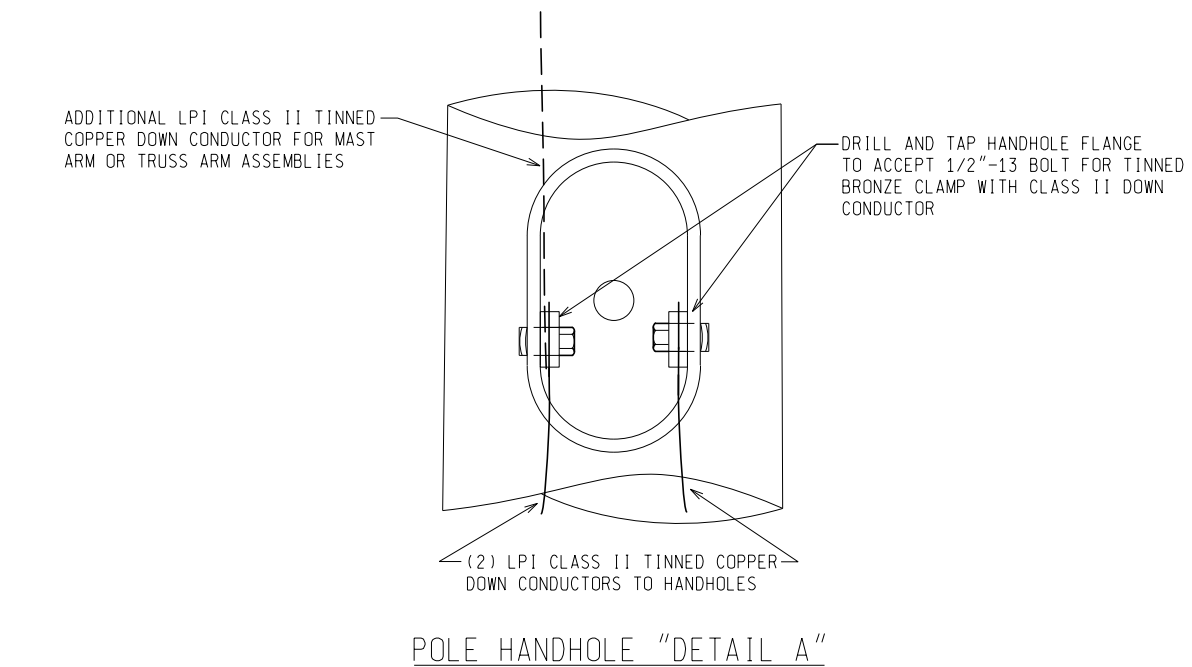
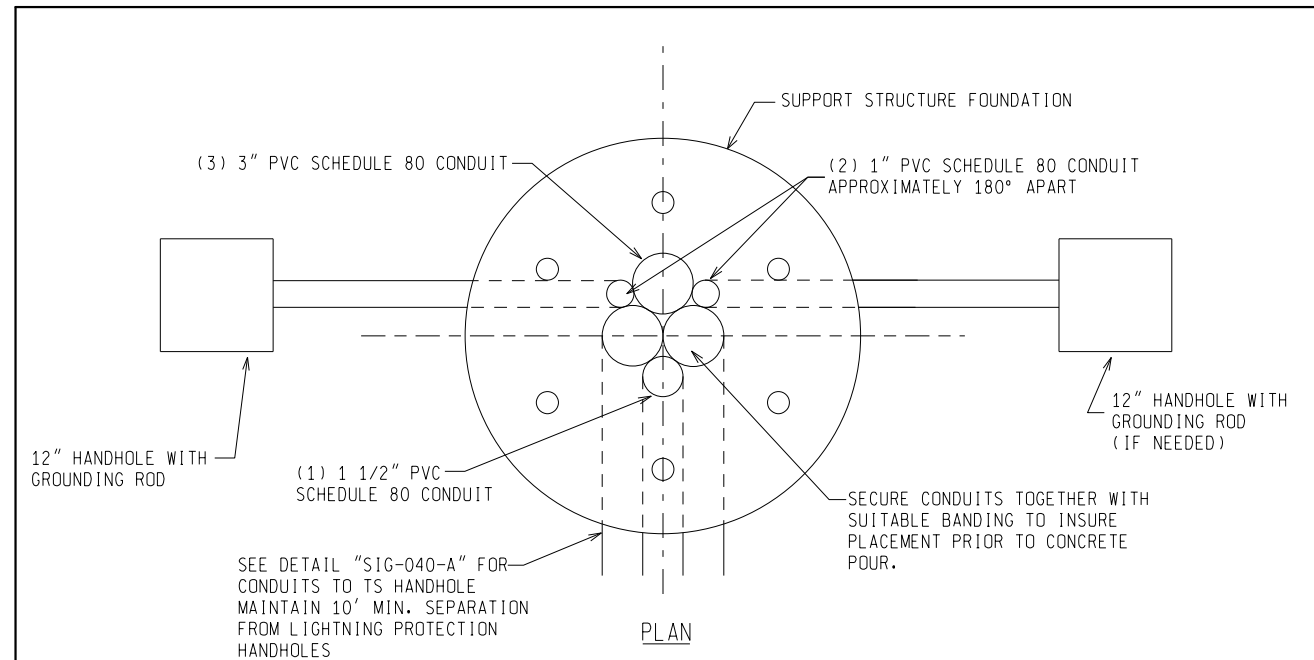


LIGHTNING PROTECTION ON MAST ARM

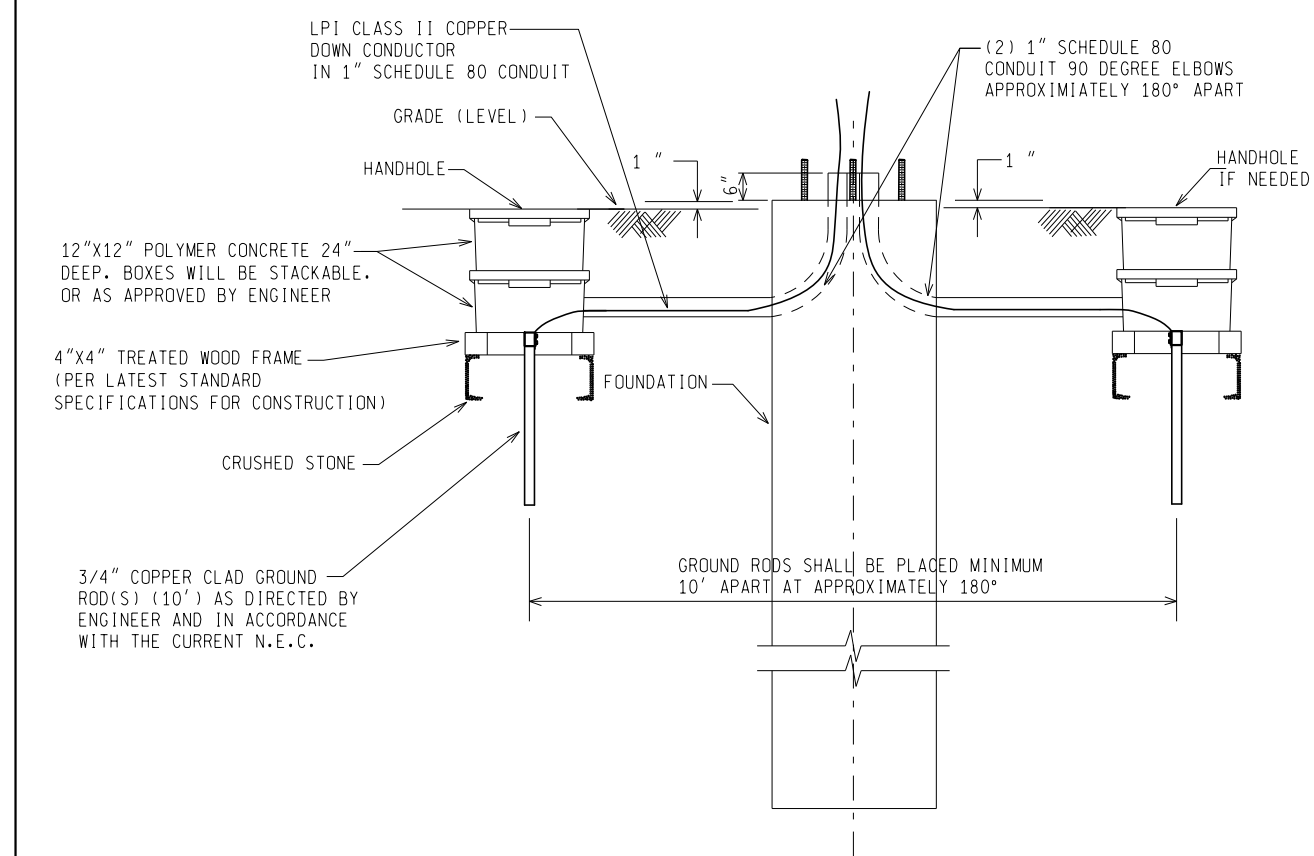


NOT TO SCALE

MICHIGAN DEPARTMENT OF TRANSPORTATION BUREAU OF HIGHWAYS DELIVERY STANDARD PLAN		FHWA APPROVAL DATE	SIG-231-A	SHEET 3 of 6
File: RefDoc/TR/Signals/Web/Sp Det/F in/SIG231A.dgn	Rev. 02/08/21	PLAN DATE		



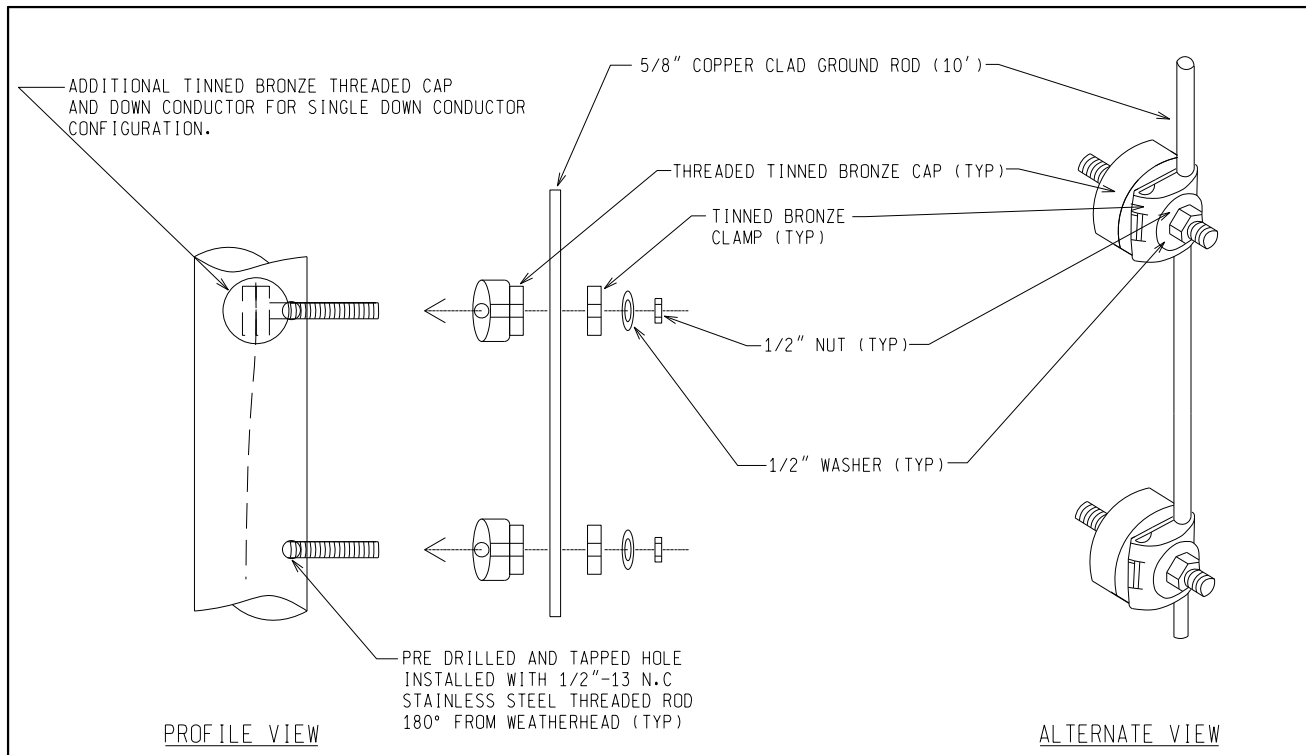
STEEL POLE HANDHOLE PLAN VIEW LAYOUT "DETAIL B"



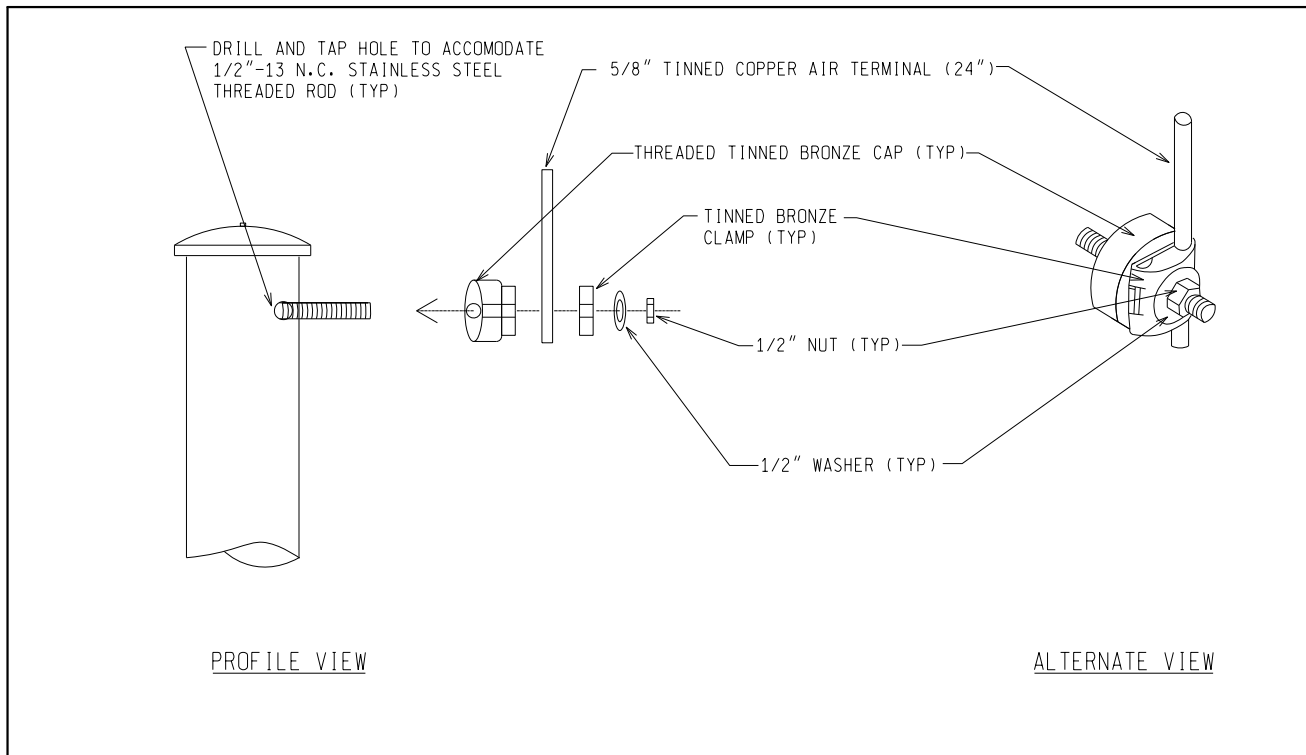
STEEL POLE HANDHOLE ELEVATION VIEW LAYOUT "DETAIL C"

NOT TO SCALE

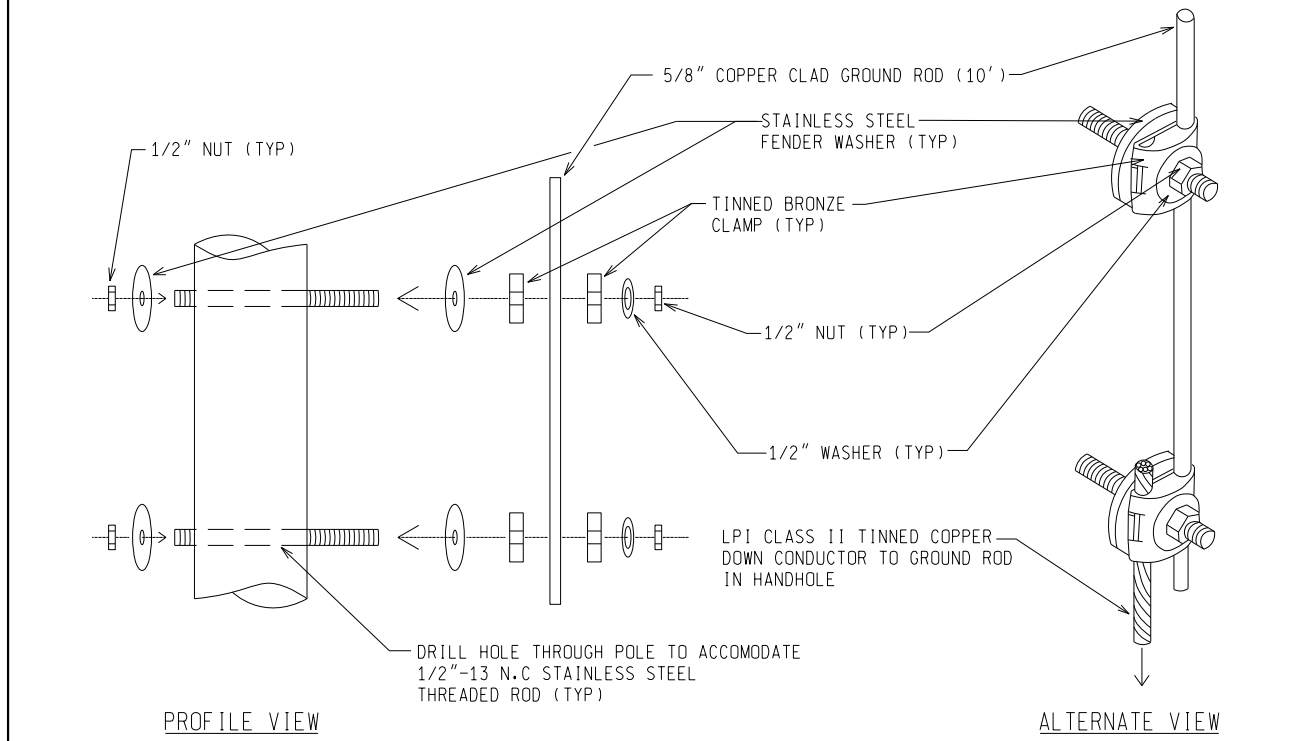
MICHIGAN DEPARTMENT OF TRANSPORTATION BUREAU OF HIGHWAYS DELIVERY STANDARD PLAN		FHWA APPROVAL DATE	SIG-231-A	SHEET 4 of 6
File: RefDoc/TR/Signals/Web/Sp Det/F in/SIG231A.dgn	Rev. 02/08/21	PLAN DATE		



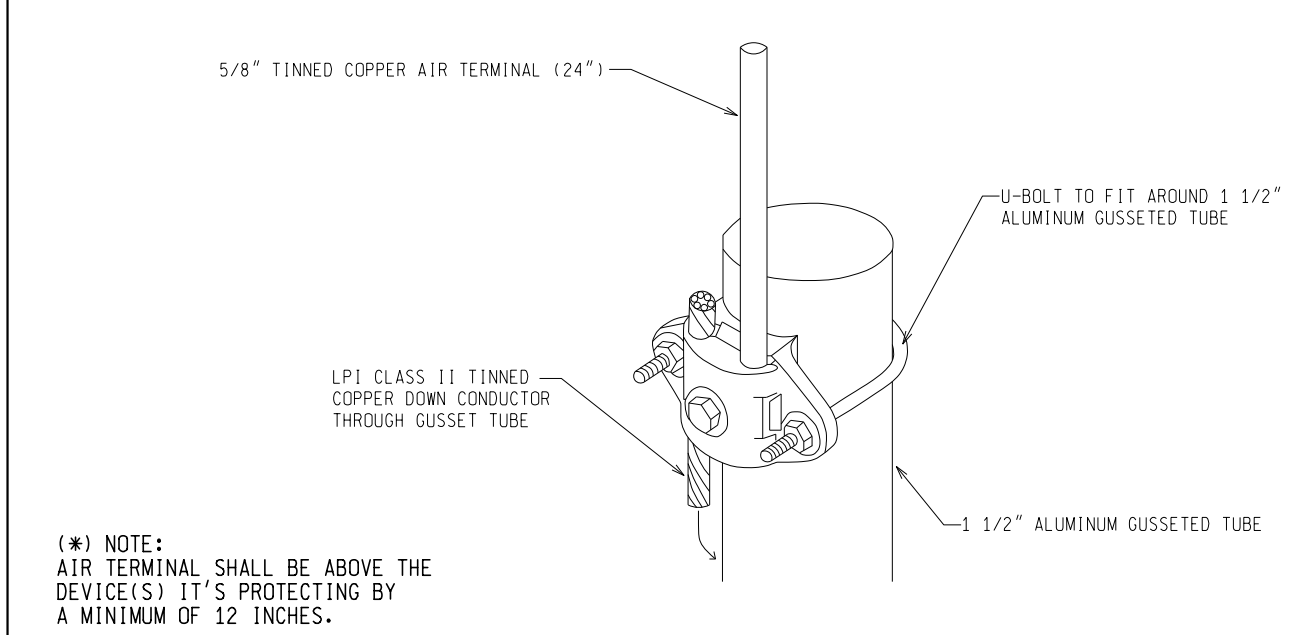
LIGHTNING PROTECTION CLAMP ON STEEL POLE "DETAIL D"



LIGHTNING PROTECTION CLAMP ON MAST ARM POLE "DETAIL F"



LIGHTNING PROTECTION CLAMP ON WOOD POLE "DETAIL E"



LIGHTNING PROTECTION CLAMP ON ALUMINUM STEEL GUSSETED TUBE "DETAIL G"

(* NOTE: AIR TERMINAL SHALL BE ABOVE THE DEVICE(S) IT'S PROTECTING BY A MINIMUM OF 12 INCHES.

NOT TO SCALE

MICHIGAN DEPARTMENT OF TRANSPORTATION BUREAU OF HIGHWAYS DELIVERY STANDARD PLAN	FHWA APPROVAL DATE	PLAN DATE	SIG-231-A	SHEET 5 of 6
File: RefDoc/TR/Signals/Web/Sp Det/Fin/SIG231A.dgn	Rev. 02/08/21			

NOT TO SCALE

MICHIGAN DEPARTMENT OF TRANSPORTATION BUREAU OF HIGHWAYS DELIVERY STANDARD PLAN	FHWA APPROVAL DATE	PLAN DATE	SIG-231-A	SHEET 6 of 6
File: RefDoc/TR/Signals/Web/Sp Det/Fin/SIG231A.dgn	Rev. 02/08/21			

FINAL ROW PLAN REVISIONS (SUBMITTAL DATE:)						NO SCALE		DATE:		CS:		DRAWING	SHEET
NO.	DATE	AUTH	DESCRIPTION					NO.	DATE	AUTH	DESCRIPTION		
								FILE:	TSC:				