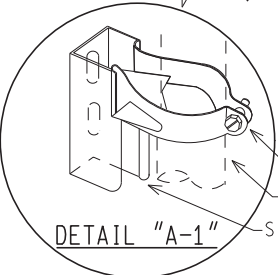
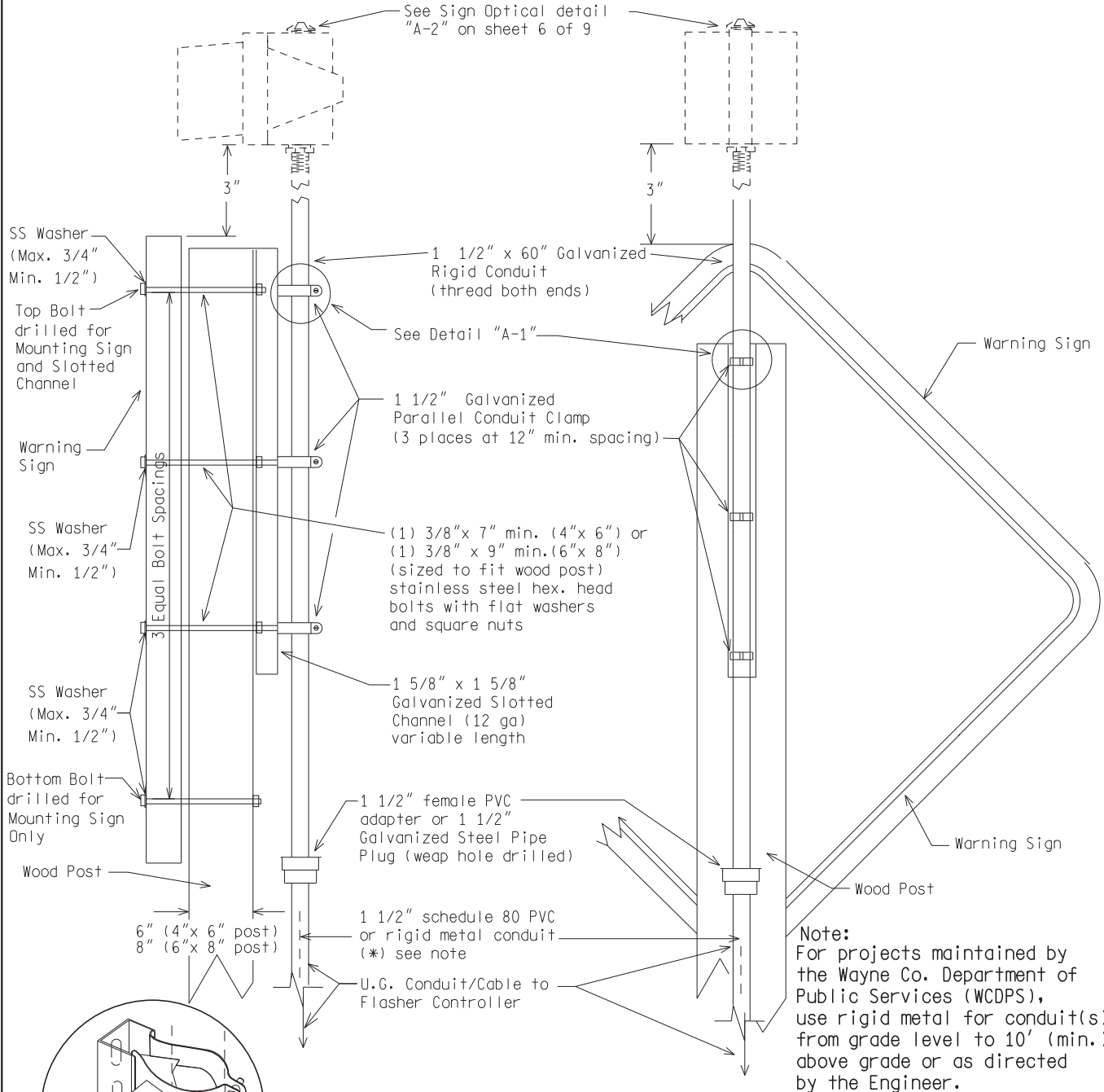


SIDE VIEW

BACK VIEW



SINGLE SIGN MOUNTED FLASHING BEACON  
INSTALLED ON ONE WOOD POST

NOT TO SCALE

File: RefDoc/TR/Signals/Web/Sp Det/Fin/SIG320A.dgn Rev: 02/16/17

**MDOT**  
Michigan Department of Transportation

PREPARED BY  
TRAFFIC AND SAFETY

DRAWN BY: DJF

CHECKED BY:

\_\_\_\_\_  
ENGINEER OF DELIVERY

\_\_\_\_\_  
ENGINEER OF DEVELOPMENT

(SPECIAL DETAIL)  
FHWA APPROVAL DATE

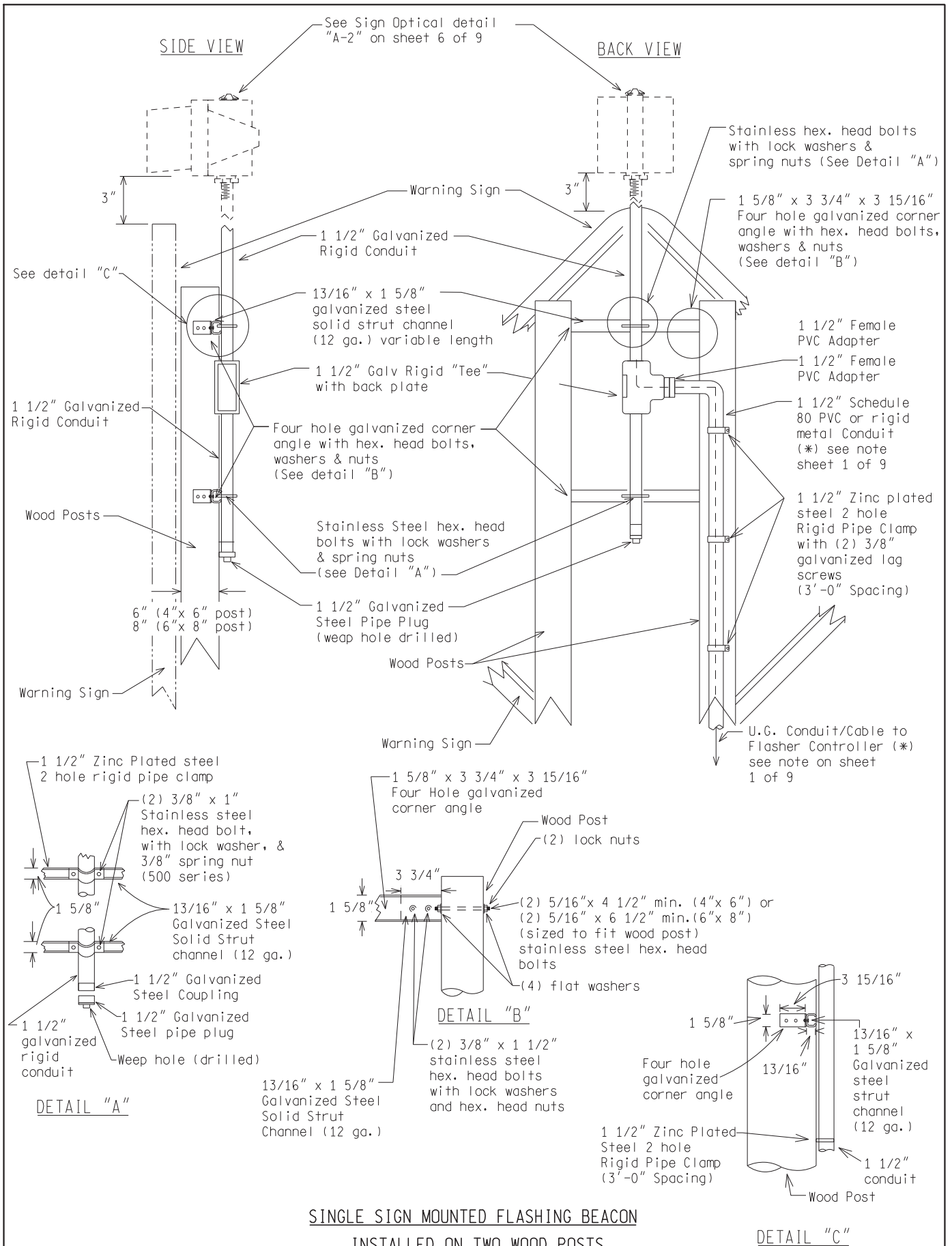
MICHIGAN DEPARTMENT OF TRANSPORTATION  
BUREAU OF HIGHWAYS DELIVERY STANDARD PLAN FOR

**SIGN MOUNTED  
BEACON**

SIG-320-A

PLAN DATE

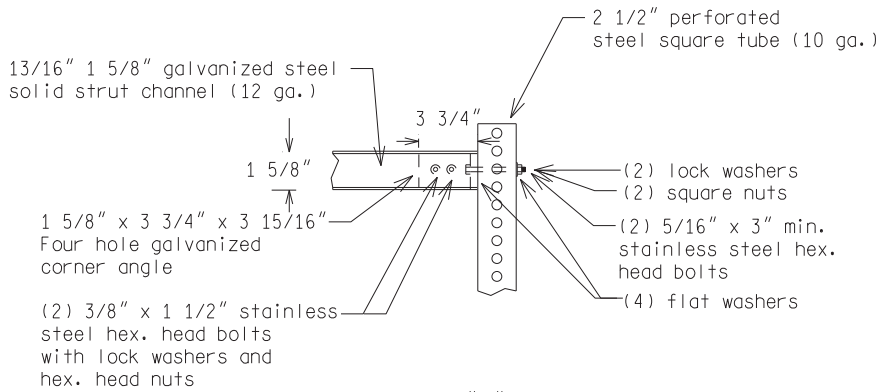
SHEET  
1 of 9



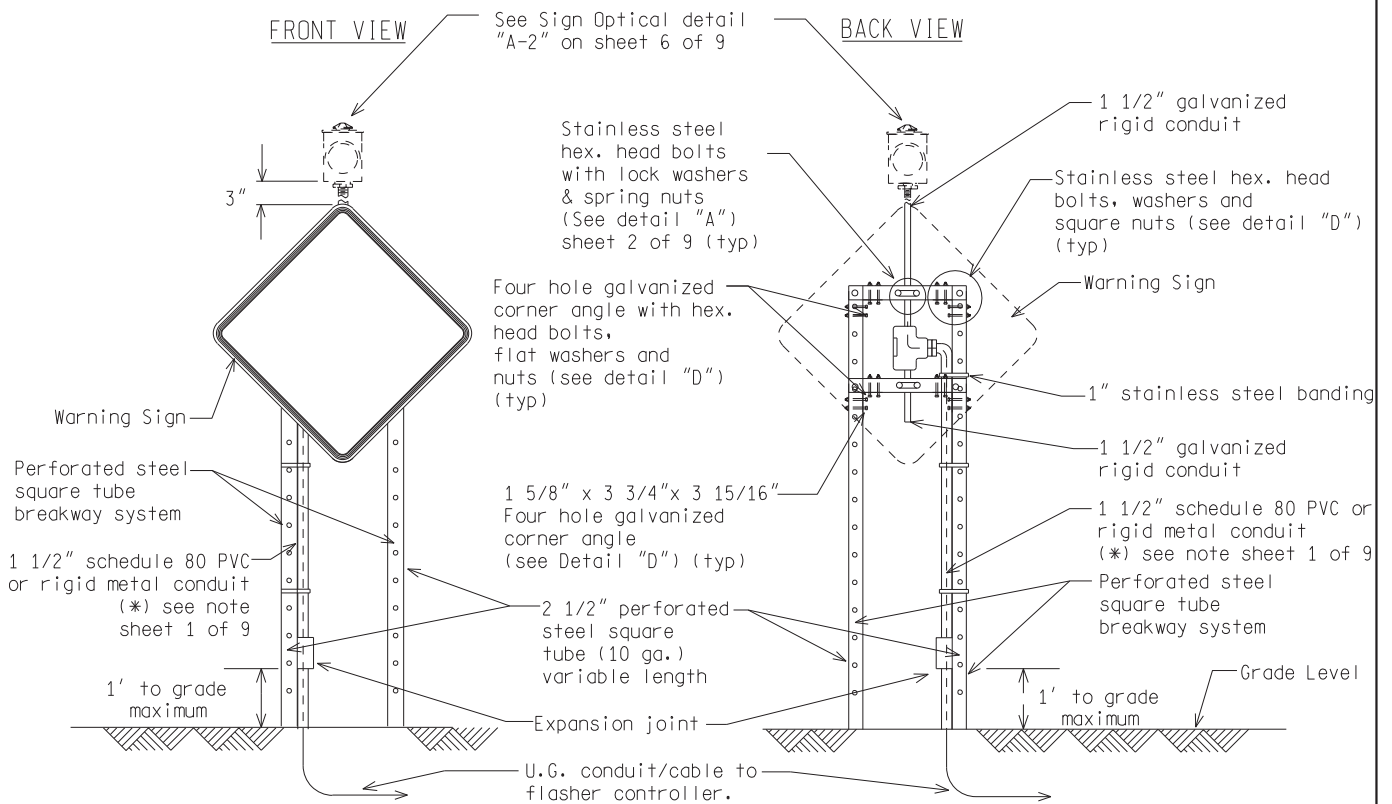
**SINGLE SIGN MOUNTED FLASHING BEACON  
INSTALLED ON TWO WOOD POSTS**

NOT TO SCALE

MICHIGAN DEPARTMENT OF TRANSPORTATION BUREAU OF HIGHWAYS DELIVERY STANDARD PLAN	(SPECIAL DETAIL) FHWA APPROVAL DATE	PLAN DATE	SIG-320-A	SHEET 2 of 9
File: RefDoc/TR/Signals/Web/Sp Det/Fin/SIG320A.dgn	Rev. 02/16/17			



DETAIL "D"



SINGLE SIGN MOUNTED FLASHING BEACON  
INSTALLED ON TWO STEEL POSTS  
(PERFORATED STEEL SQUARE TUBE BREAKAWAY SYSTEM)

NOT TO SCALE

MICHIGAN DEPARTMENT OF TRANSPORTATION  
 BUREAU OF HIGHWAYS DELIVERY STANDARD PLAN

(SPECIAL DETAIL)  
 FHWA APPROVAL DATE

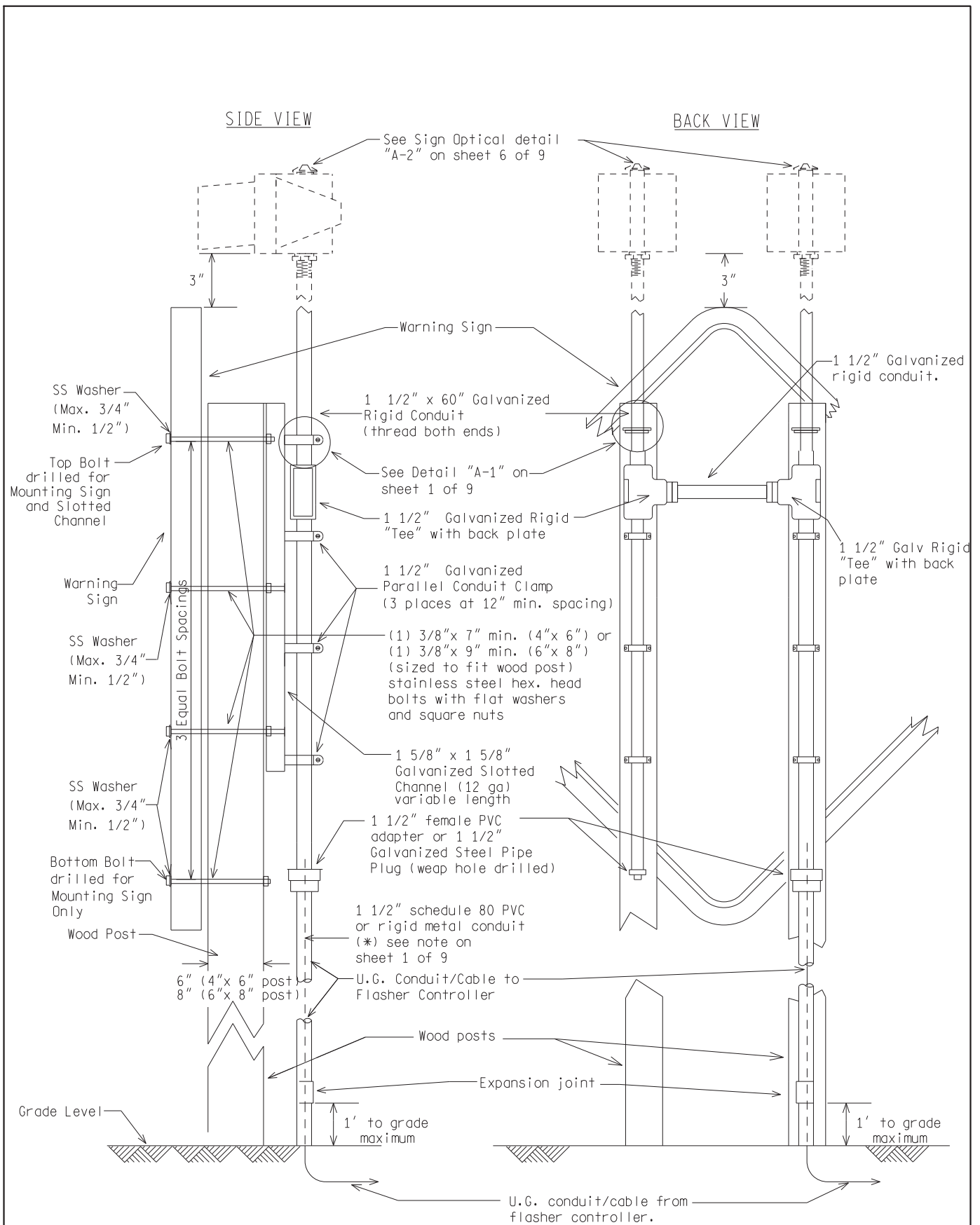
File: RefDoc/TR/Signals/Web/Sp Det/Fin/SIG320A.dgn

Rev. 02/16/17

PLAN DATE

SIG-320-A

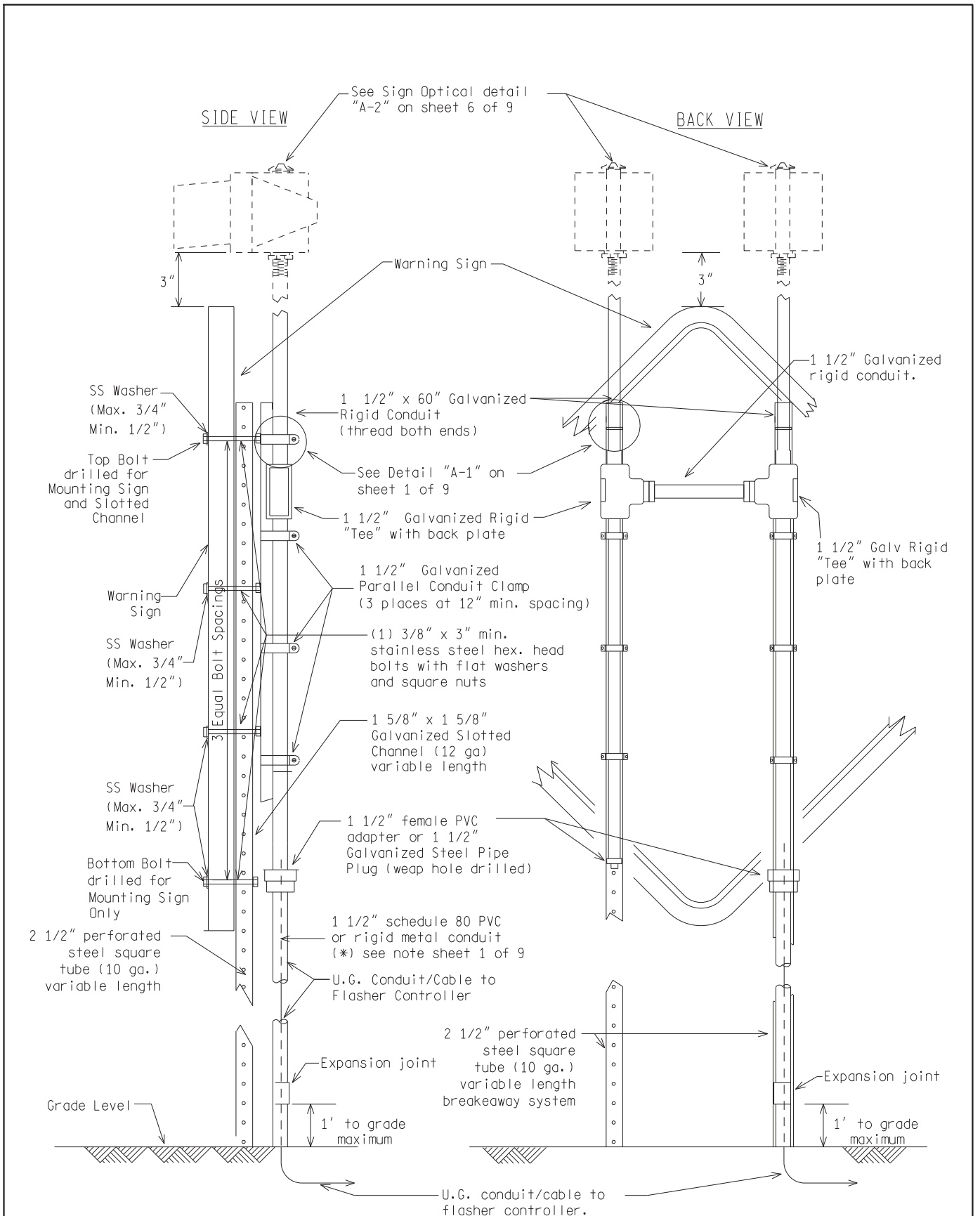
SHEET  
 3 of 9



**SIGN MOUNTED DUAL FLASHING BEACONS  
INSTALLED ON TWO WOOD POSTS**

NOT TO SCALE

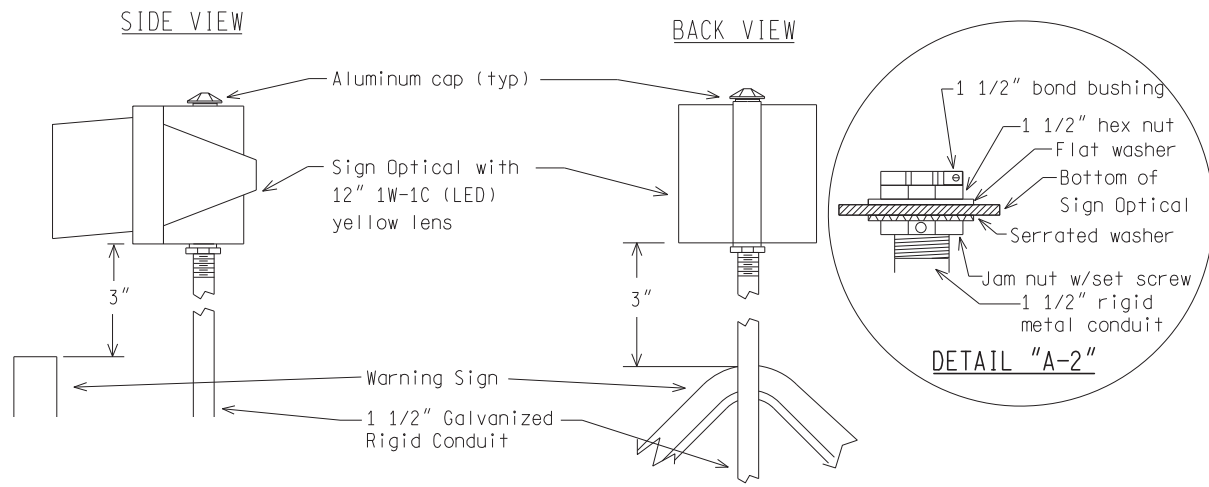
MICHIGAN DEPARTMENT OF TRANSPORTATION BUREAU OF HIGHWAYS DELIVERY STANDARD PLAN	(SPECIAL DETAIL) FHWA APPROVAL DATE	PLAN DATE	SIG-320-A	SHEET 4 of 9
File: RefDoc/TR/Signals/Web/Sp Det/Fin/SIG320A.dgn		Rev. 02/16/17		



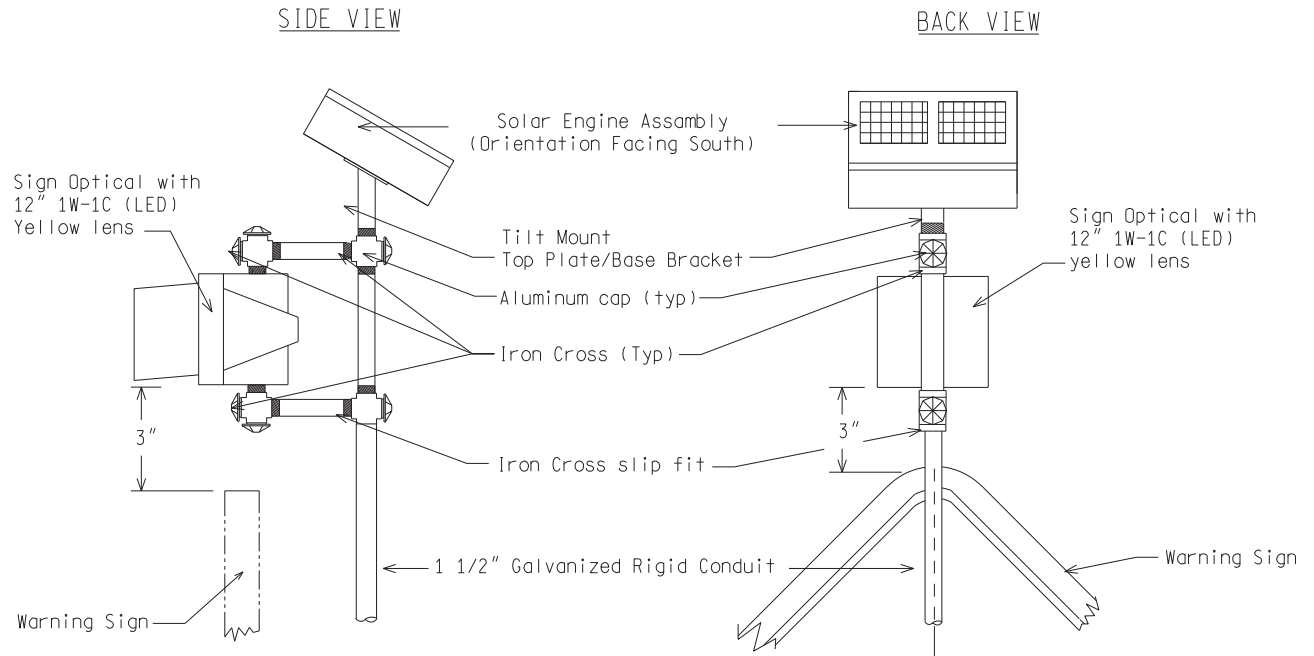
**SIGN MOUNTED DUAL FLASHING BEACONS  
 INSTALLED ON TWO STEEL POSTS  
 (PERFORATED STEEL SQUARE TUBE BREAKAWAY SYSTEM)**

NOT TO SCALE

MICHIGAN DEPARTMENT OF TRANSPORTATION BUREAU OF HIGHWAYS DELIVERY STANDARD PLAN	_____	_____	SIG-320-A	SHEET 5 of 9
File: RefDoc/TR/Signals/Web/Sp Det/Fin/SIG320A.dgn	Rev. 02/16/17	PLAN DATE		



**SIGN MOUNTED FLASHING BEACON**



Note: Use 6" x 8" wood posts(s) when supporting solar panel(s)

U.G. conduit/cable to dual advance warning sign optical location when required.

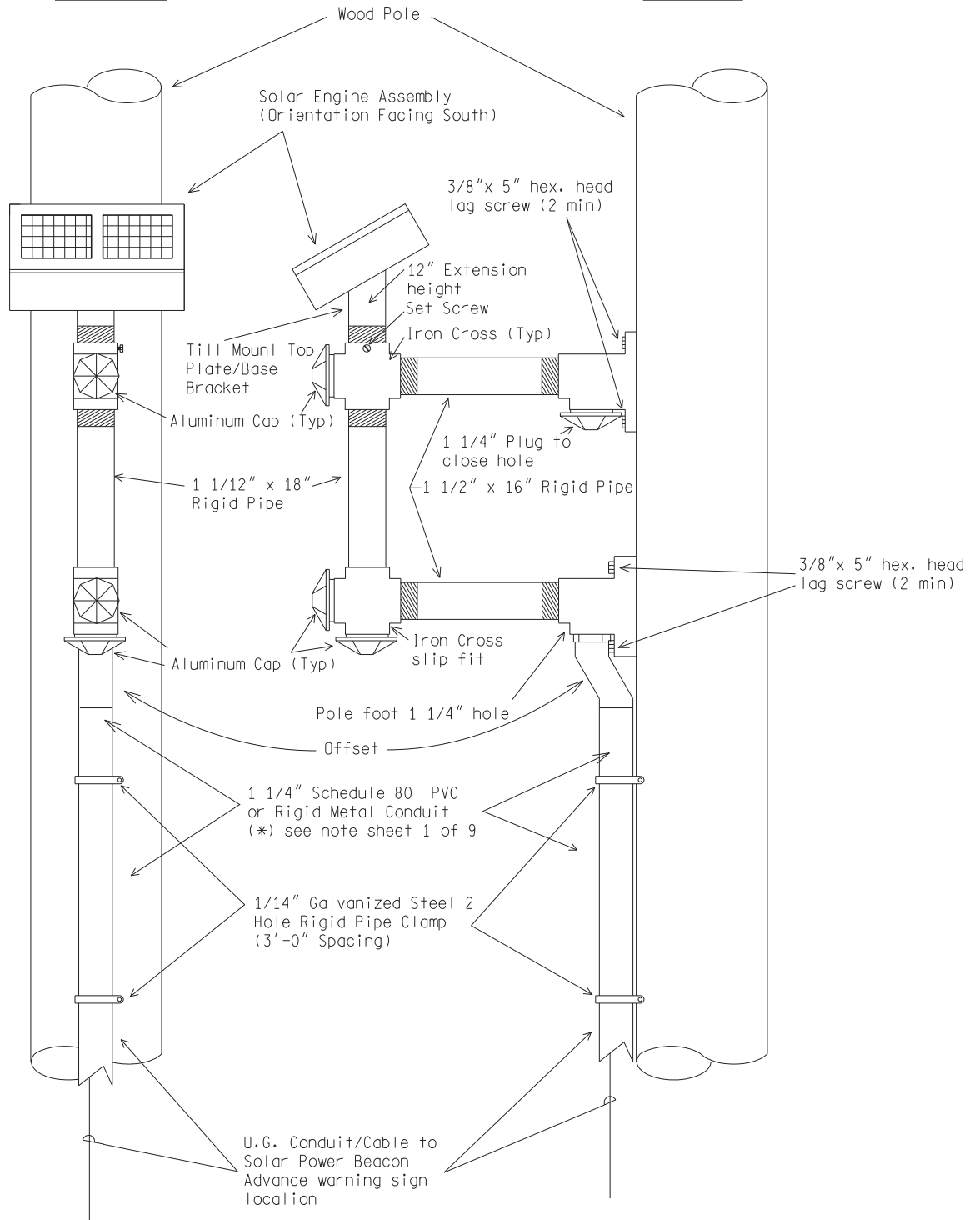
**SIGN MOUNTED FLASHING BEACON (ONE SOLAR ENGINE ASSEMBLY)**

NOT TO SCALE

MICHIGAN DEPARTMENT OF TRANSPORTATION BUREAU OF HIGHWAYS DELIVERY STANDARD PLAN	( SPECIAL DETAIL ) FHWA APPROVAL DATE	PLAN DATE	SIG-320-A	SHEET 6 of 9
File: RefDoc/TR/Signals/Web/Sp Det/Fin/SIG320A.dgn Rev. 02/16/17				

FRONT VIEW

SIDE VIEW



SOLAR ENGINE ASSEMBLY MOUNTED WOOD POLE

NOT TO SCALE

MICHIGAN DEPARTMENT OF TRANSPORTATION  
BUREAU OF HIGHWAYS DELIVERY STANDARD PLAN

\_\_\_\_\_  
FHWA APPROVAL DATE

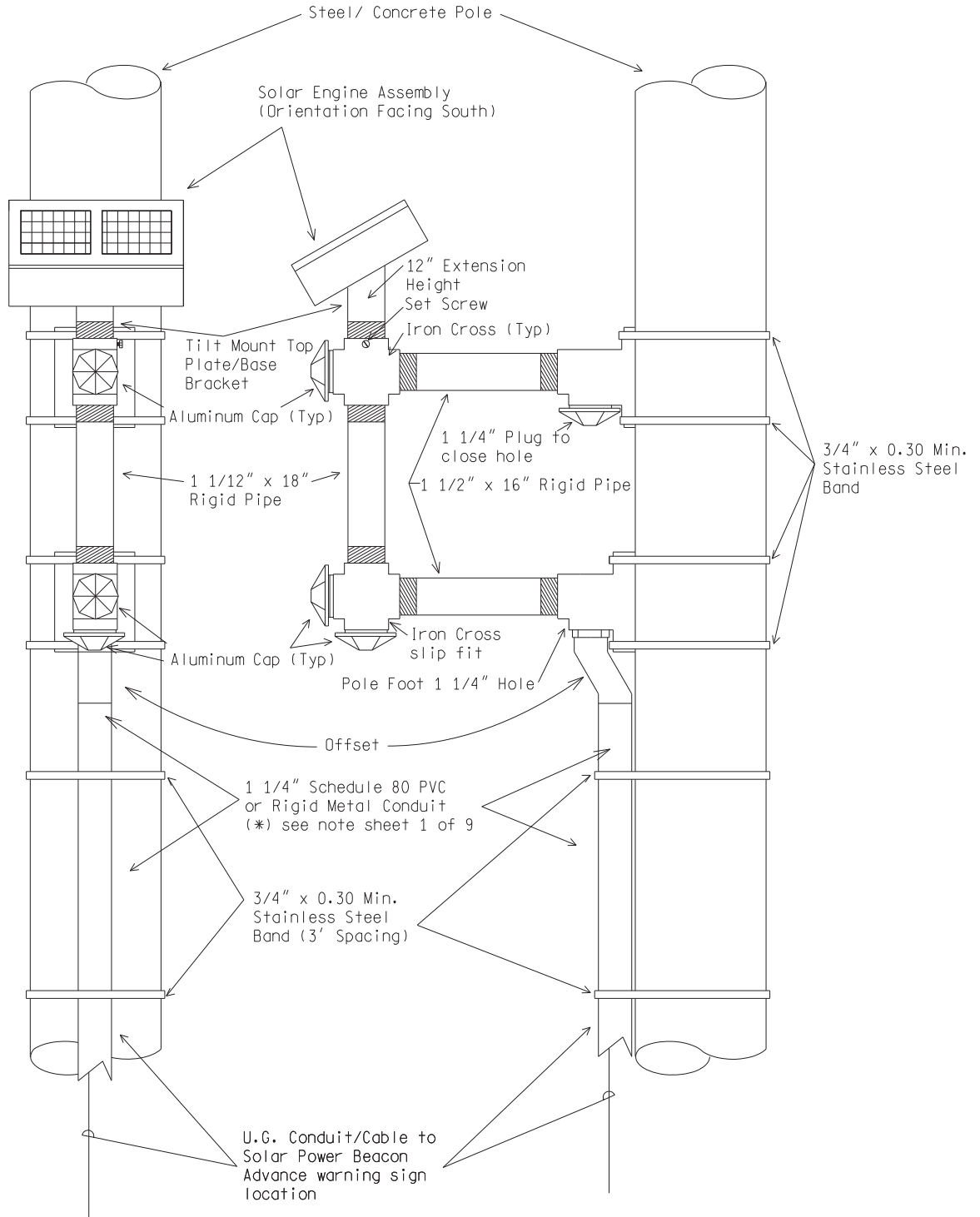
\_\_\_\_\_  
PLAN DATE

SIG-320-A

SHEET  
7 of 9

FRONT VIEW

SIDE VIEW



SOLAR ENGINE ASSEMBLY MOUNTED ON STEEL/CONCRETE POLE

NOT TO SCALE

MICHIGAN DEPARTMENT OF TRANSPORTATION  
BUREAU OF HIGHWAYS DELIVERY STANDARD PLAN

(SPECIAL DETAIL)  
FHWA APPROVAL DATE

File: RefDoc/TR/Signals/Web/Sp Det/Fin/SIG320A.dgn

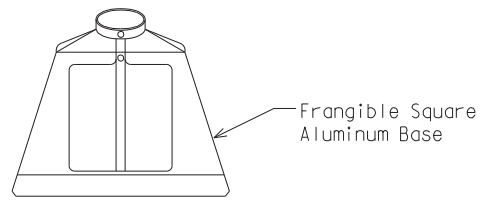
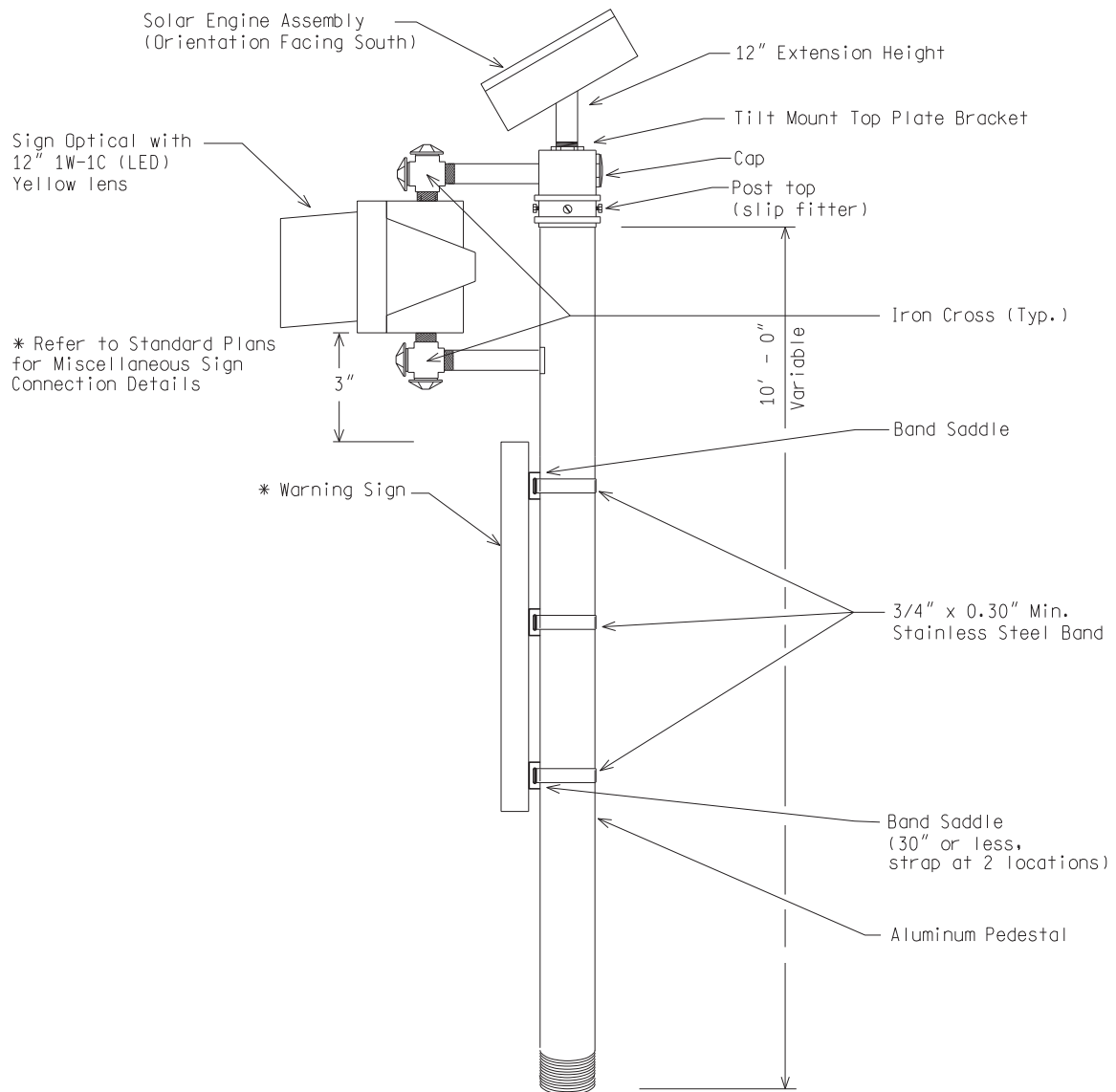
Rev. 02/16/17

PLAN DATE

SIG-320-A

SHEET  
8 of 9





SQUARE ALUMINUM BASE

Note: Use pedestal collar for pedestal length greater than 14'

SOLAR ENGINE MOUNTED ON PEDESTAL

NOT TO SCALE

MICHIGAN DEPARTMENT OF TRANSPORTATION BUREAU OF HIGHWAYS DELIVERY STANDARD PLAN	(SPECIAL DETAIL) FHWA APPROVAL DATE	PLAN DATE	SIG-320-A	SHEET 9 of 9
File: RefDoc/TR/Signals/Web/Sp Det/Fin/SIG320A.dgn Rev. 02/16/17				