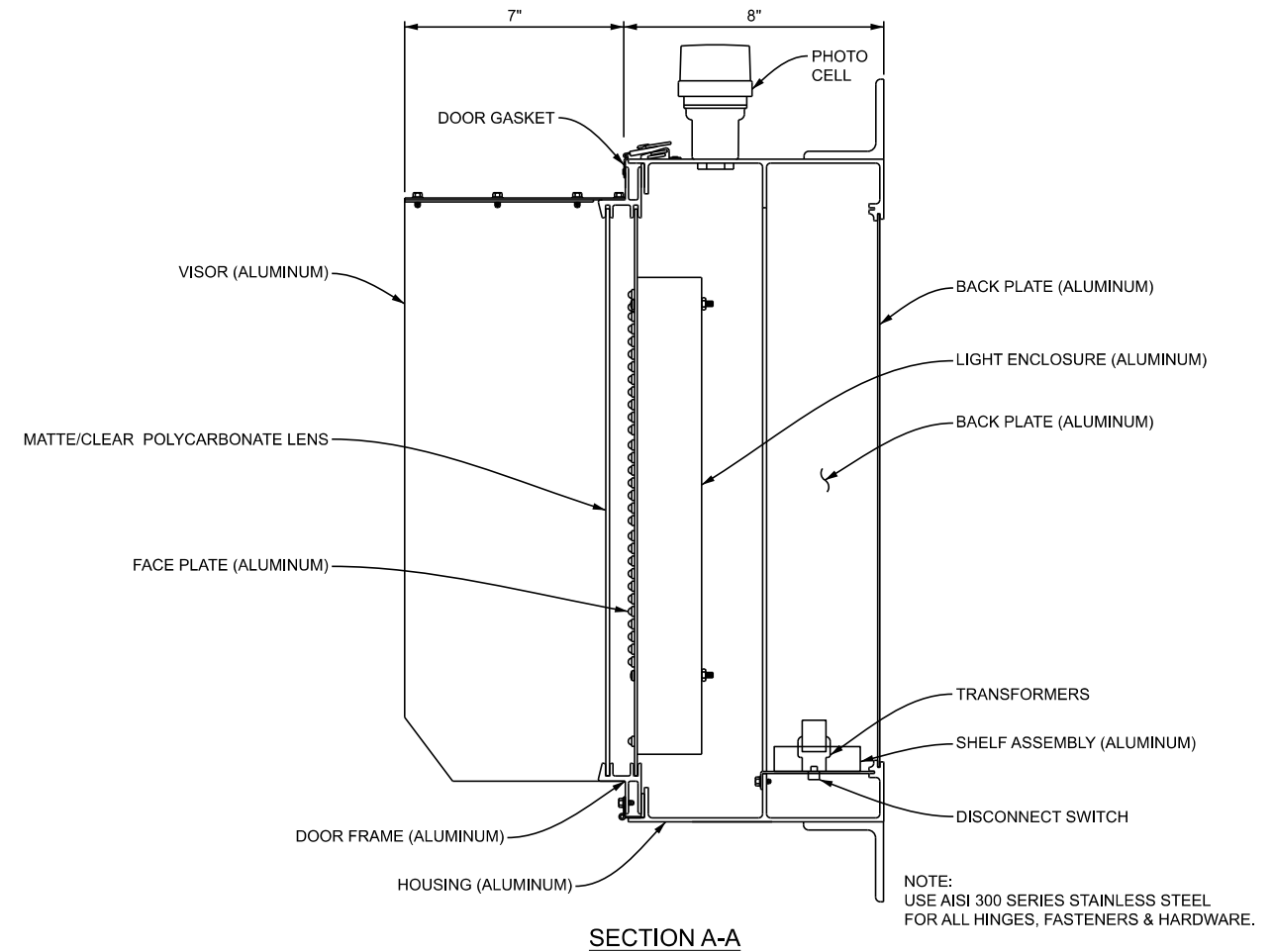
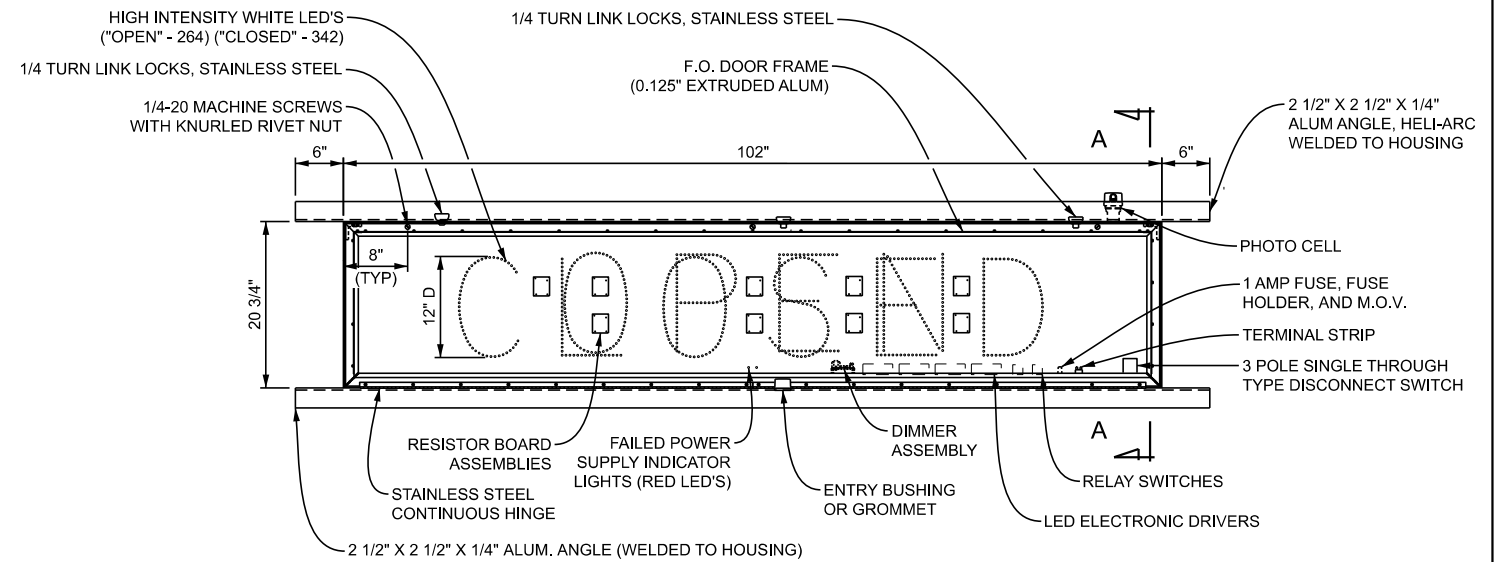


A DETAIL - STEEL COLUMN BREAKAWAY
N.T.S.



B DETAIL - LED CHANGEABLE MESSAGE SIGN
N.T.S.

APPROVED BY: _____
DIRECTOR, BUREAU OF FIELD SERVICES



APPROVED BY: _____
DIRECTOR, BUREAU OF DEVELOPMENT

DEPARTMENT DIRECTOR
BRADLEY C. WIEFERICH, PE

STANDARD PLAN FOR
LED CHANGEABLE
MESSAGE "OPEN-CLOSED" SIGN

(SPECIAL DETAIL)
FHWA APPROVAL

02/22/2024
PLAN DATE

SIG-360-A

SHEET
1 OF 4



DEPARTMENT DIRECTOR
BRADLEY C. WIEFERICH, PE

STANDARD PLAN FOR
LED CHANGEABLE
MESSAGE "OPEN-CLOSED" SIGN

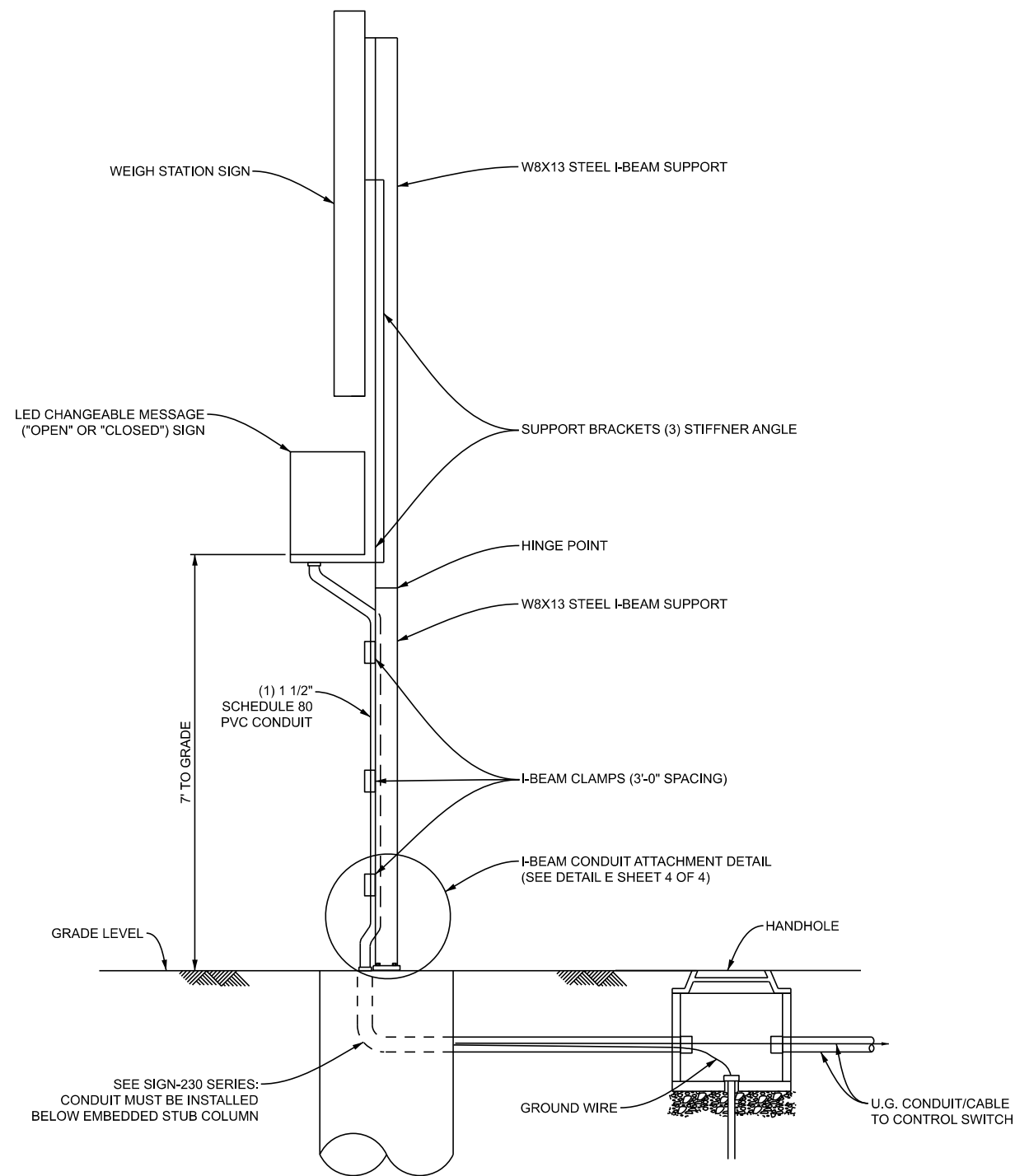
(SPECIAL DETAIL)
FHWA APPROVAL

02/22/2024
PLAN DATE

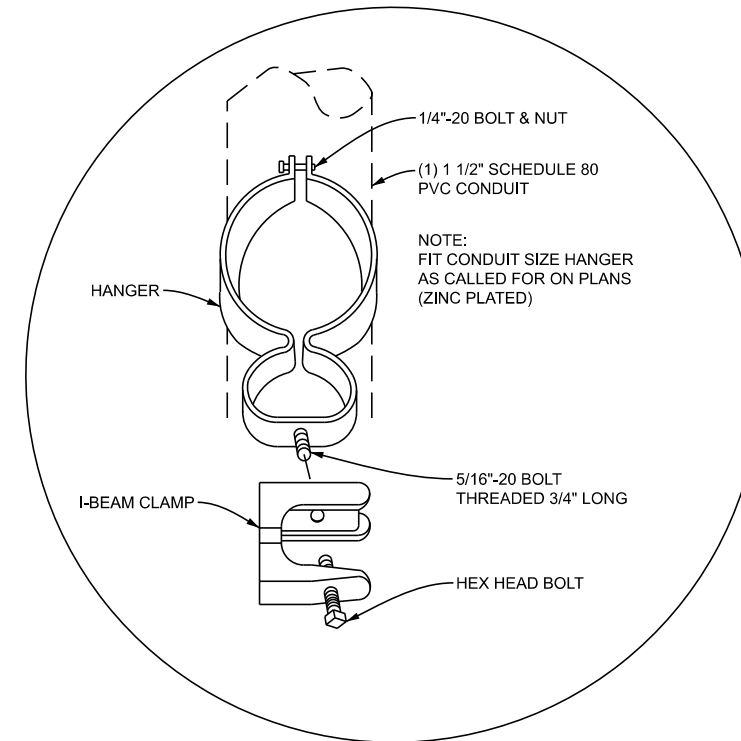
SIG-360-A

SHEET
2 OF 4

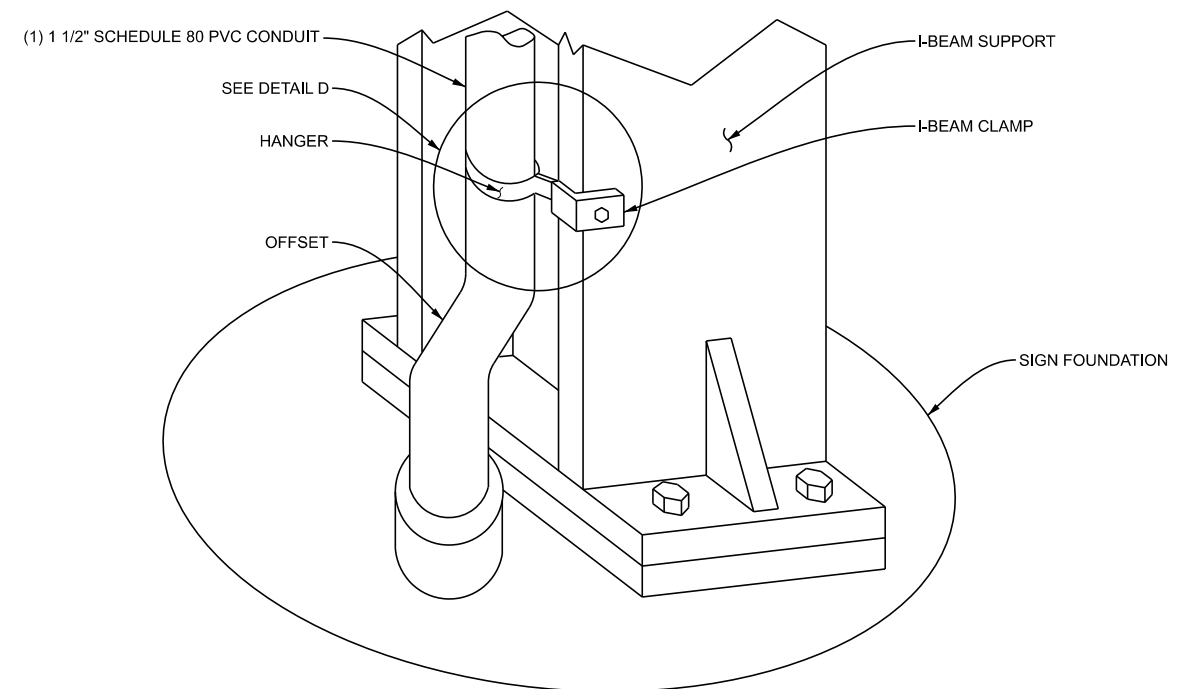
SECT



C DETAIL - I-BEAM SIDE VIEW
N.T.S.



D DETAIL - I-BEAM CLAMP
N.T.S.



E DETAIL - I-BEAM CONDUIT ATTACHMENT
N.T.S.

APPROVED BY: _____
DIRECTOR, BUREAU OF FIELD SERVICES



APPROVED BY: _____
DIRECTOR, BUREAU OF DEVELOPMENT

DEPARTMENT DIRECTOR
BRADLEY C. WIEFERICH, PE

(SPECIAL DETAIL)
FHWA APPROVAL

02/22/2024
PLAN DATE

SIG-360-A

SHEET
3 OF 4



DEPARTMENT DIRECTOR
BRADLEY C. WIEFERICH, PE

(SPECIAL DETAIL)
FHWA APPROVAL

02/22/2024
PLAN DATE

SIG-360-A

SHEET
4 OF 4

SECT

STANDARD PLAN FOR
LED CHANGEABLE
MESSAGE "OPEN-CLOSED" SIGN

STANDARD PLAN FOR
LED CHANGEABLE
MESSAGE "OPEN-CLOSED" SIGN