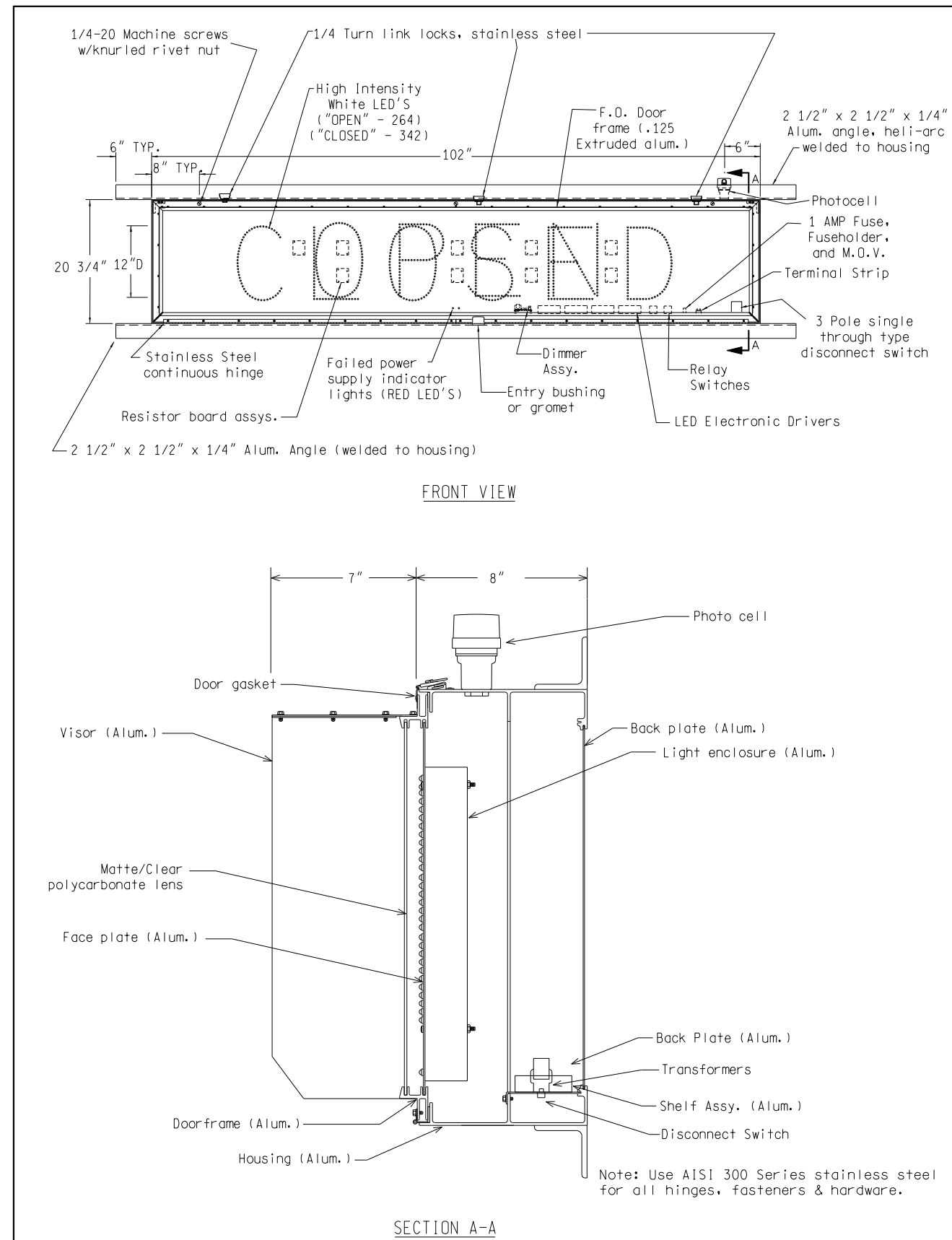


NOT TO SCALE

File: RefDoc/TR/Signals/Web/Sp Det/Fin/SIG360A.dgn Rev. 02/16/17

<p>MICHIGAN DEPARTMENT OF TRANSPORTATION BUREAU OF HIGHWAYS DELIVERY STANDARD PLAN FOR</p>	ENGINEER OF DELIVERY	<p>LED CHANGEABLE MESSAGE "OPEN-CLOSED" SIGN</p>	<p>SHEET 1 of 4</p>
	ENGINEER OF DEVELOPMENT (SPECIAL DETAIL) FHWA APPROVAL DATE		

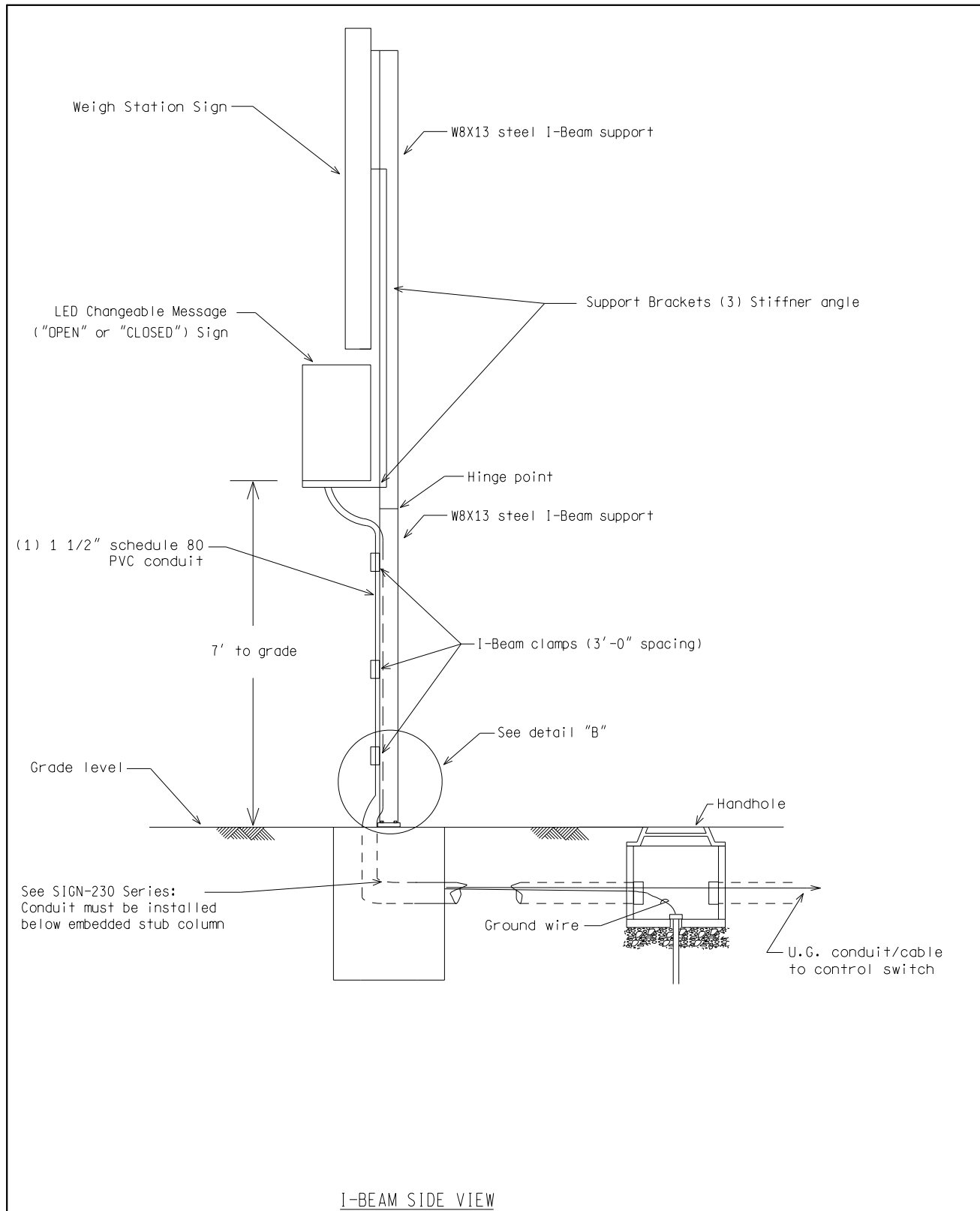


NOT TO SCALE

File: RefDoc/TR/Signals/Web/Sp Det/Fin/SIG360A.dgn Rev. 02/16/17

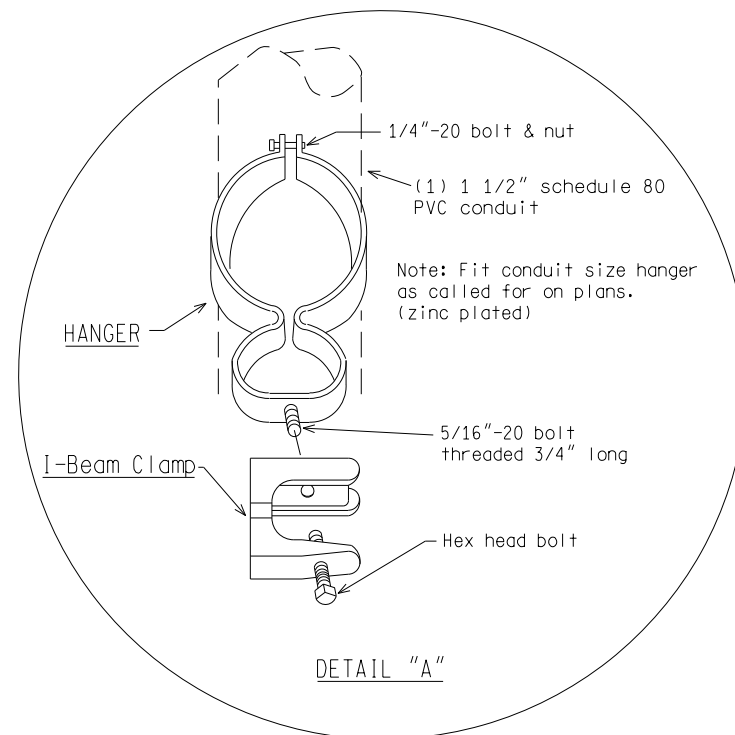
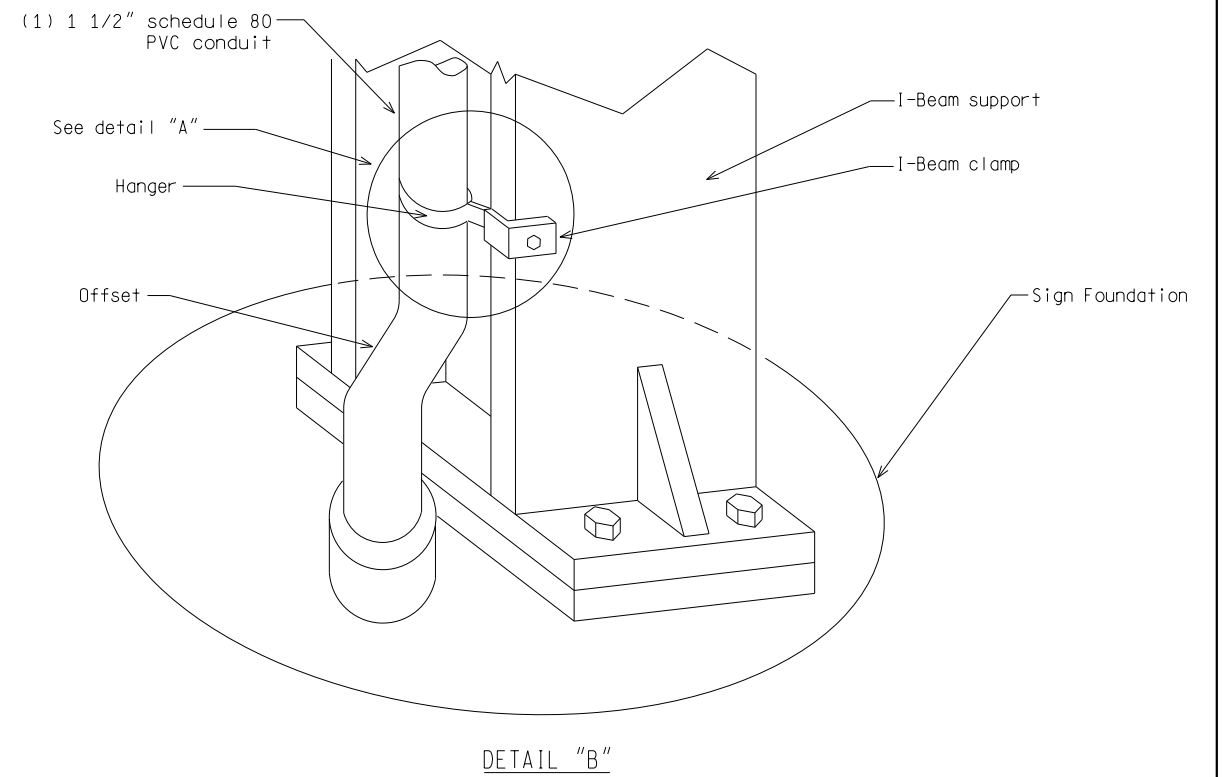
<p>MICHIGAN DEPARTMENT OF TRANSPORTATION BUREAU OF HIGHWAYS DELIVERY STANDARD PLAN</p>	(SPECIAL DETAIL) FHWA APPROVAL DATE	<p>SIG-360-A</p>	<p>SHEET 2 of 4</p>
	PLAN DATE		

AS-LET PLAN REVISIONS									DATE:	CS:	DRAWING	SHEET
NO.	DATE	AUTH	DESCRIPTION	NO.	DATE	AUTH	DESCRIPTION					
								FILE:	DESIGN UNIT:	JN:		
									TSC:			



NOT TO SCALE

MICHIGAN DEPARTMENT OF TRANSPORTATION BUREAU OF HIGHWAYS DELIVERY STANDARD PLAN	(SPECIAL DETAIL) FHWA APPROVAL DATE		SIG-360-A	SHEET 3 of 4
File: RefDoc/TR/Signals/Web/Sp Det/F in/SIG360A.dgn	Rev. 02/16/17	PLAN DATE		



I-BEAM CONDUIT ATTACHMENT DETAILS

NOT TO SCALE

MICHIGAN DEPARTMENT OF TRANSPORTATION BUREAU OF HIGHWAYS DELIVERY STANDARD PLAN	(SPECIAL DETAIL) FHWA APPROVAL DATE		SIG-360-A	SHEET 4 of 4
File: RefDoc/TR/Signals/Web/Sp Det/F in/SIG360A.dgn	Rev. 02/16/17	PLAN DATE		

AS-LET PLAN REVISIONS							
NO.	DATE	AUTH	DESCRIPTION	NO.	DATE	AUTH	DESCRIPTION



FILE:	DATE:	CS:	DRAWING	SHEET
	DESIGN UNIT:	JN:		
	TSC:			