

DETAIL FOR OVERHEAD FEED

DETAIL FOR UNDER GROUND FEED

Note: (\*) For projects maintained by the Wayne Co. Department of Public Services (WCDPS), use rigid metal for conduit(s) from grade level to 10' (min.) above grade or as directed by the Engineer.

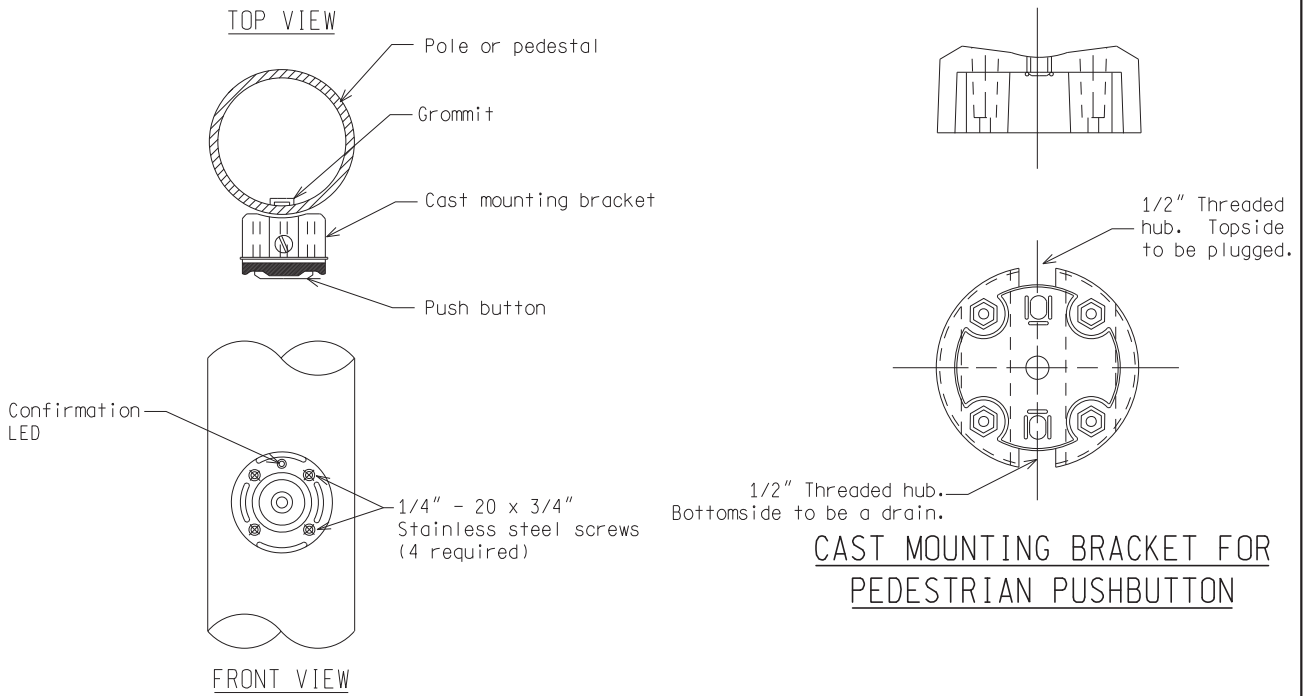
(#) If pushbutton is from 10" to 24" from edge of sidewalk an acceptable range is 38" to 46"

PEDESTRIAN PUSH BUTTON DETAILS ON WOOD POLE

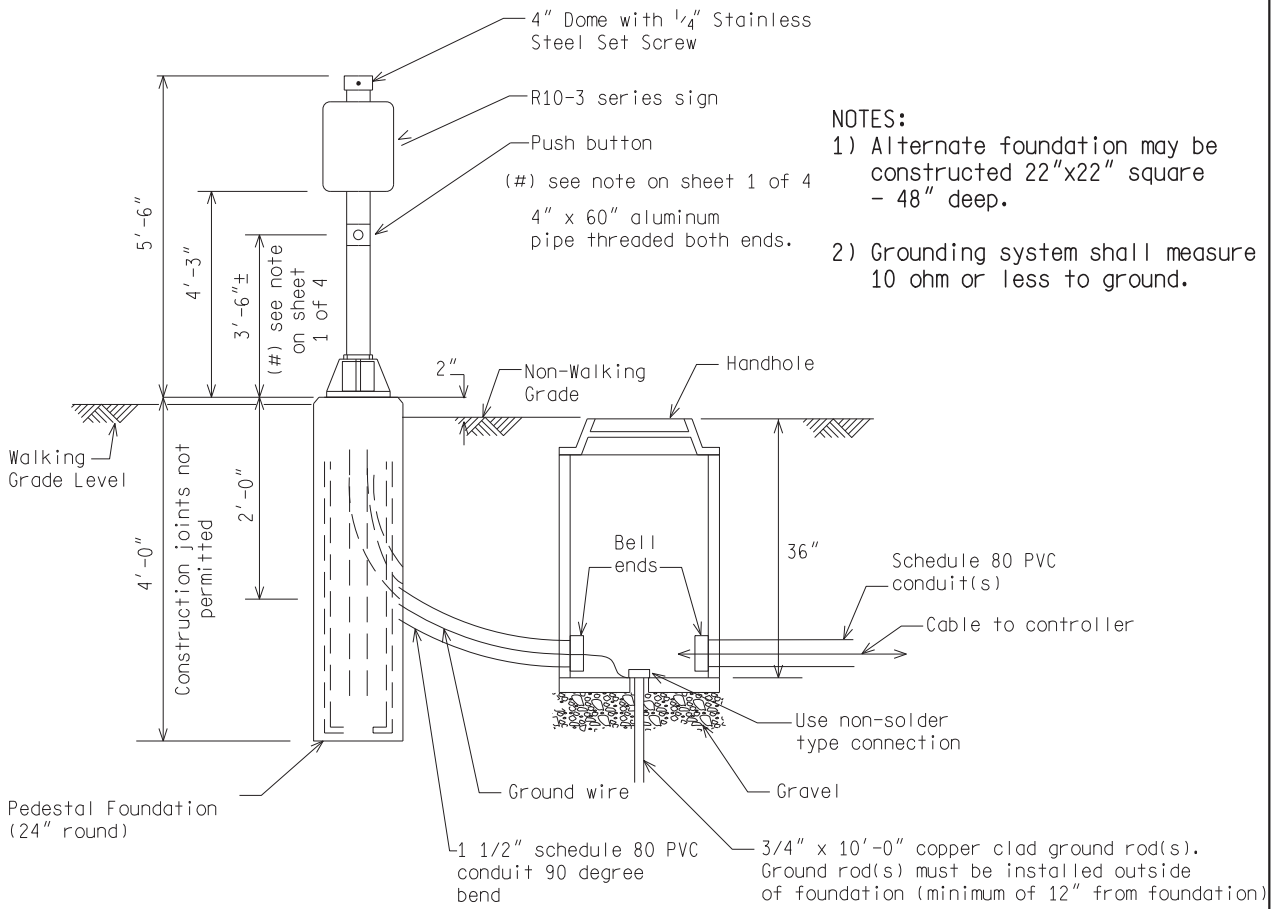
NOT TO SCALE

File: RefDoc/TR/Signals/Web/Sp Det/Fin/SIG400A.dgn Rev: 02/16/17

<p>PREPARED BY TRAFFIC AND SAFETY</p>	<p>ENGINEER OF DELIVERY</p>	<p>MICHIGAN DEPARTMENT OF TRANSPORTATION BUREAU OF HIGHWAYS DELIVERY STANDARD PLAN FOR</p>	
	<p>ENGINEER OF DEVELOPMENT</p>	<p>PEDESTRIAN PUSH BUTTON DETAILS</p>	
<p>DRAWN BY:</p>	<p>(SPECIAL DETAIL)</p>	<p>SIG-400-A</p>	<p>SHEET 1 of 4</p>
<p>CHECKED BY:</p>	<p>FHWA APPROVAL DATE</p>		



**PEDESTRIAN PUSHBUTTON INSTALLATION  
ON STEEL POLE OR PEDESTAL**



- NOTES:**
- 1) Alternate foundation may be constructed 22"x22" square - 48" deep.
  - 2) Grounding system shall measure 10 ohm or less to ground.

**PUSH BUTTON PEDESTAL**

NOT TO SCALE

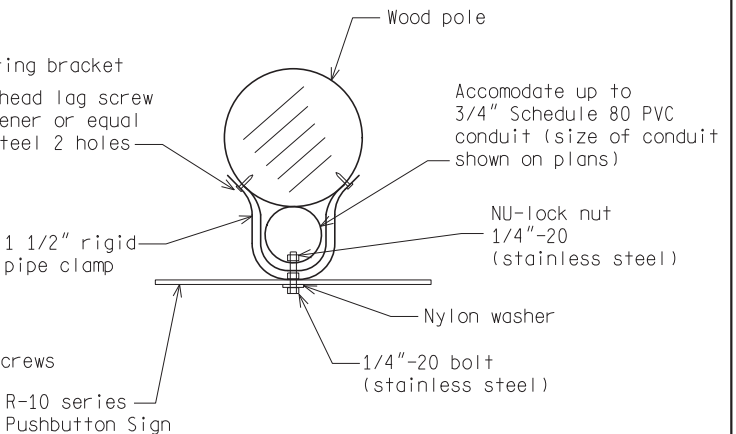
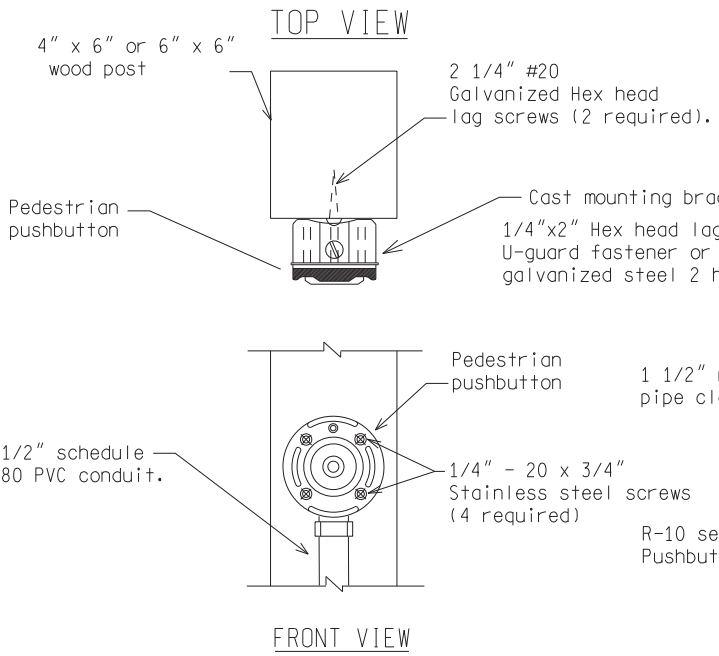
MICHIGAN DEPARTMENT OF TRANSPORTATION  
BUREAU OF HIGHWAYS DELIVERY STANDARD PLAN

(SPECIAL DETAIL)  
FHWA APPROVAL DATE

PLAN DATE

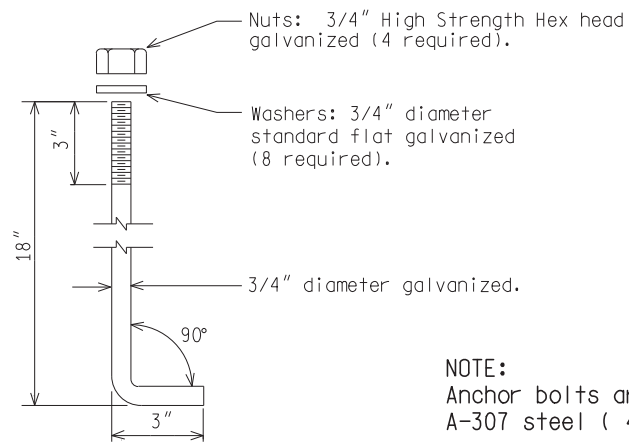
SIG-400-A

SHEET  
2 of 4



PEDESTRIAN PUSHBUTTON  
INSTALLATION ON WOOD POST

PEDESTRIAN PUSHBUTTON  
SIGN INSTALLATION  
ON WOOD POLE

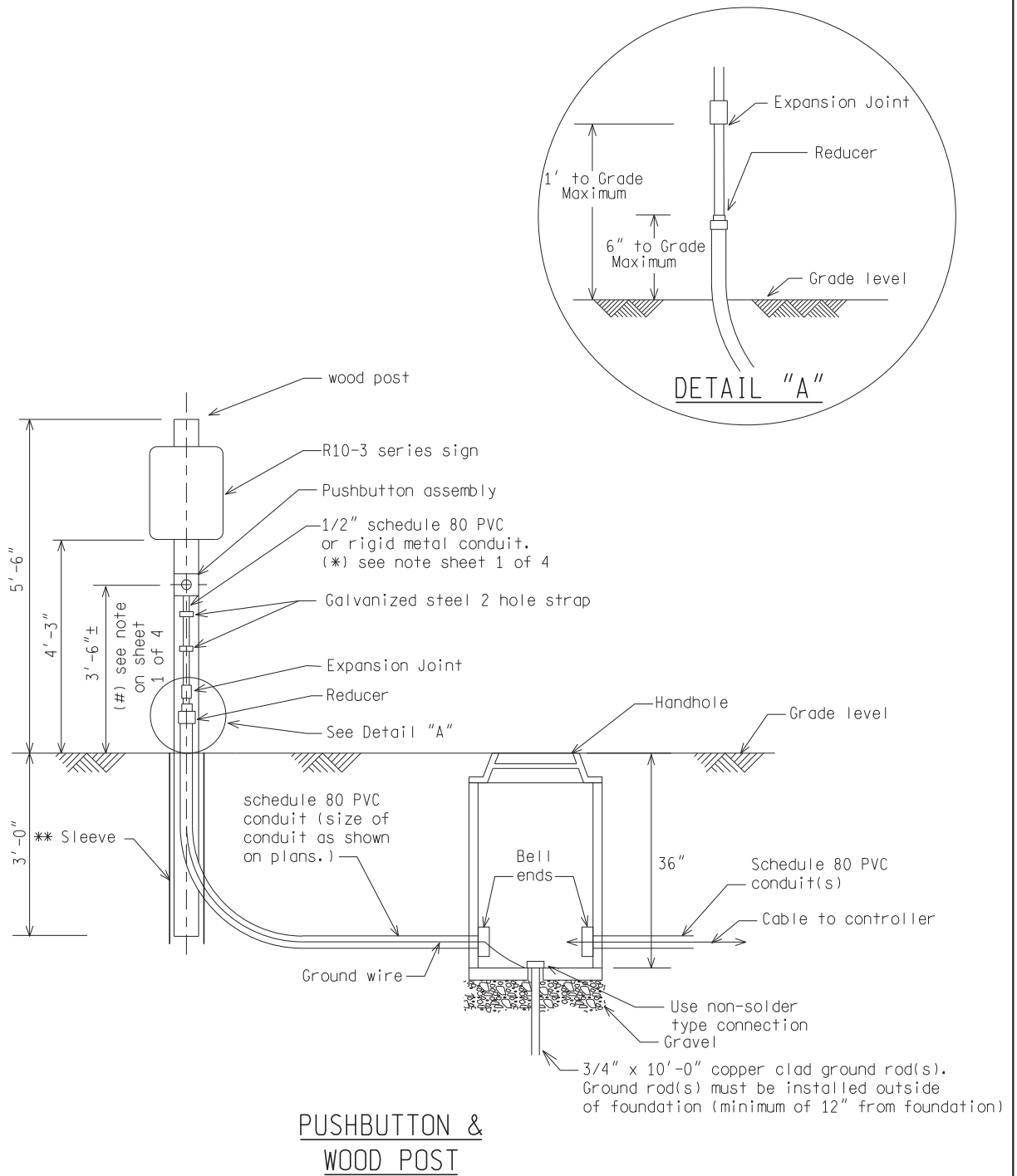


NOTE:  
Anchor bolts are to be ASTM  
A-307 steel ( 4-required )

ANCHOR BOLT DETAIL

NOT TO SCALE

MICHIGAN DEPARTMENT OF TRANSPORTATION BUREAU OF HIGHWAYS DELIVERY STANDARD PLAN	(SPECIAL DETAIL) FHWA APPROVAL DATE		SIG-400-A	SHEET 3 of 4
File: RefDoc/TR/Signals/Web/Sp Det/F in/SIG400A.dgn	Rev. 02/16/17	PLAN DATE		



\*\* Refer to Standard Plan for Wood Posts

NOT TO SCALE

MICHIGAN DEPARTMENT OF TRANSPORTATION  
BUREAU OF HIGHWAYS DELIVERY STANDARD PLAN

(SPECIAL DETAIL)  
FHWA APPROVAL DATE

PLAN DATE

SIG-400-A

SHEET  
4 of 4