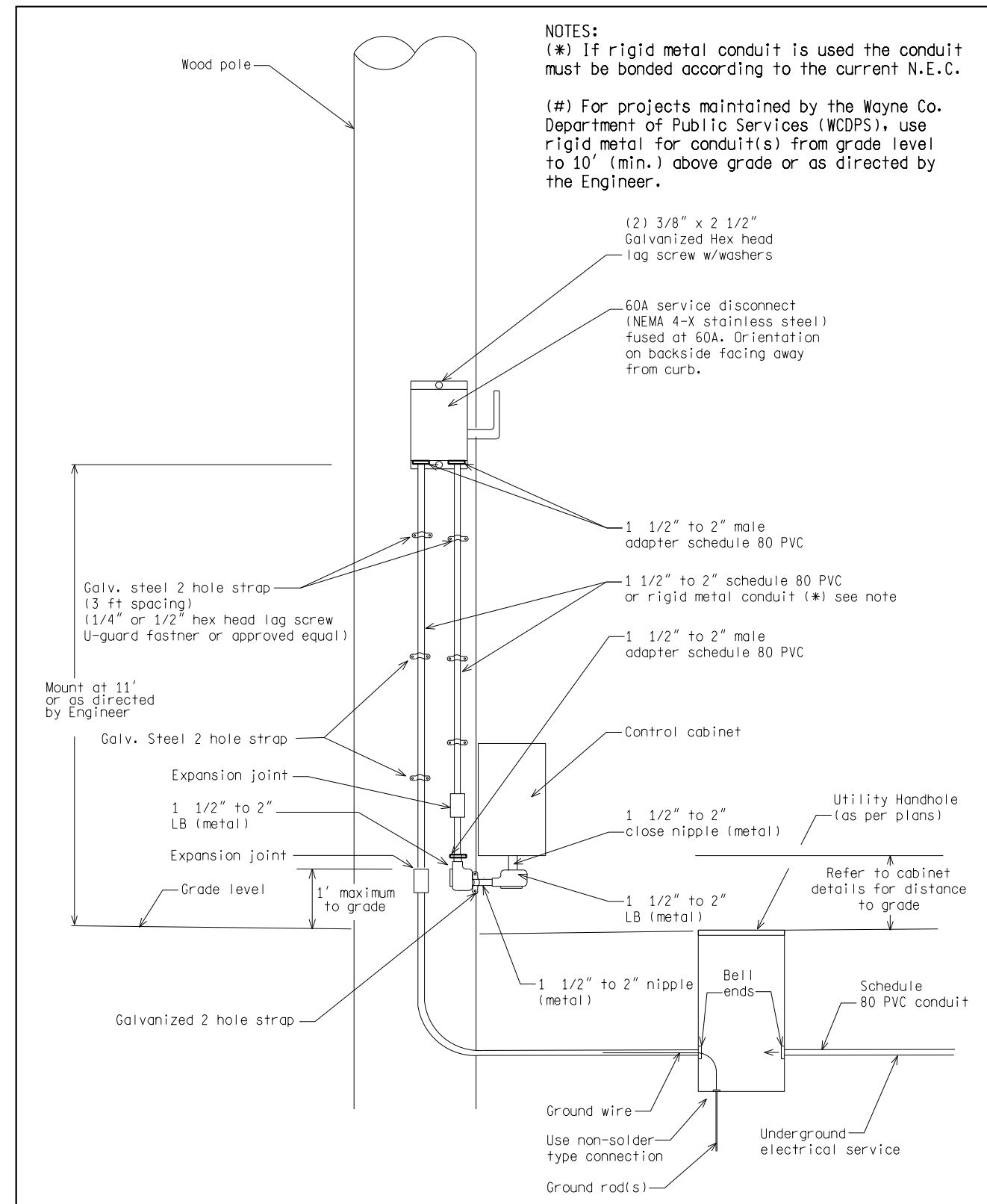


NOT TO SCALE

File: RefDoc/TR/Signals/Web/Sp Det/Fin/SIG200A.dgn Rev. 02/16/17

<p>MICHIGAN DEPARTMENT OF TRANSPORTATION BUREAU OF HIGHWAYS DELIVERY STANDARD PLAN FOR</p>	ENGINEER OF DELIVERY	<p><b>SECONDARY SERVICE/DISCONNECT FOR WOOD POLES</b></p>	<p>SIG-200-A</p>	<p>SHEET 1 of 4</p>
	ENGINEER OF DEVELOPMENT (SPECIAL DETAIL) FHWA APPROVAL DATE			
<p>PREPARED BY TRAFFIC AND SAFETY</p>	PLAN DATE			
<p>DRAWN BY: DJF</p>				
<p>CHECKED BY:</p>				



NOT TO SCALE

File: RefDoc/TR/Signals/Web/Sp Det/Fin/SIG200A.dgn Rev. 02/16/17

<p>MICHIGAN DEPARTMENT OF TRANSPORTATION BUREAU OF HIGHWAYS DELIVERY STANDARD PLAN FOR</p>	(SPECIAL DETAIL) FHWA APPROVAL DATE	<p><b>SECONDARY SERVICE/DISCONNECT FOR WOOD POLES-UNDERGROUND POWER FEED</b></p>	<p>SIG-200-A</p>	<p>SHEET 2 of 4</p>
	PLAN DATE			
<p>DATE:</p>	CS:			
<p>DESIGN UNIT:</p>	JN:			
<p>TSC:</p>				

AS-LET PLAN REVISIONS							
NO.	DATE	AUTH	DESCRIPTION	NO.	DATE	AUTH	DESCRIPTION

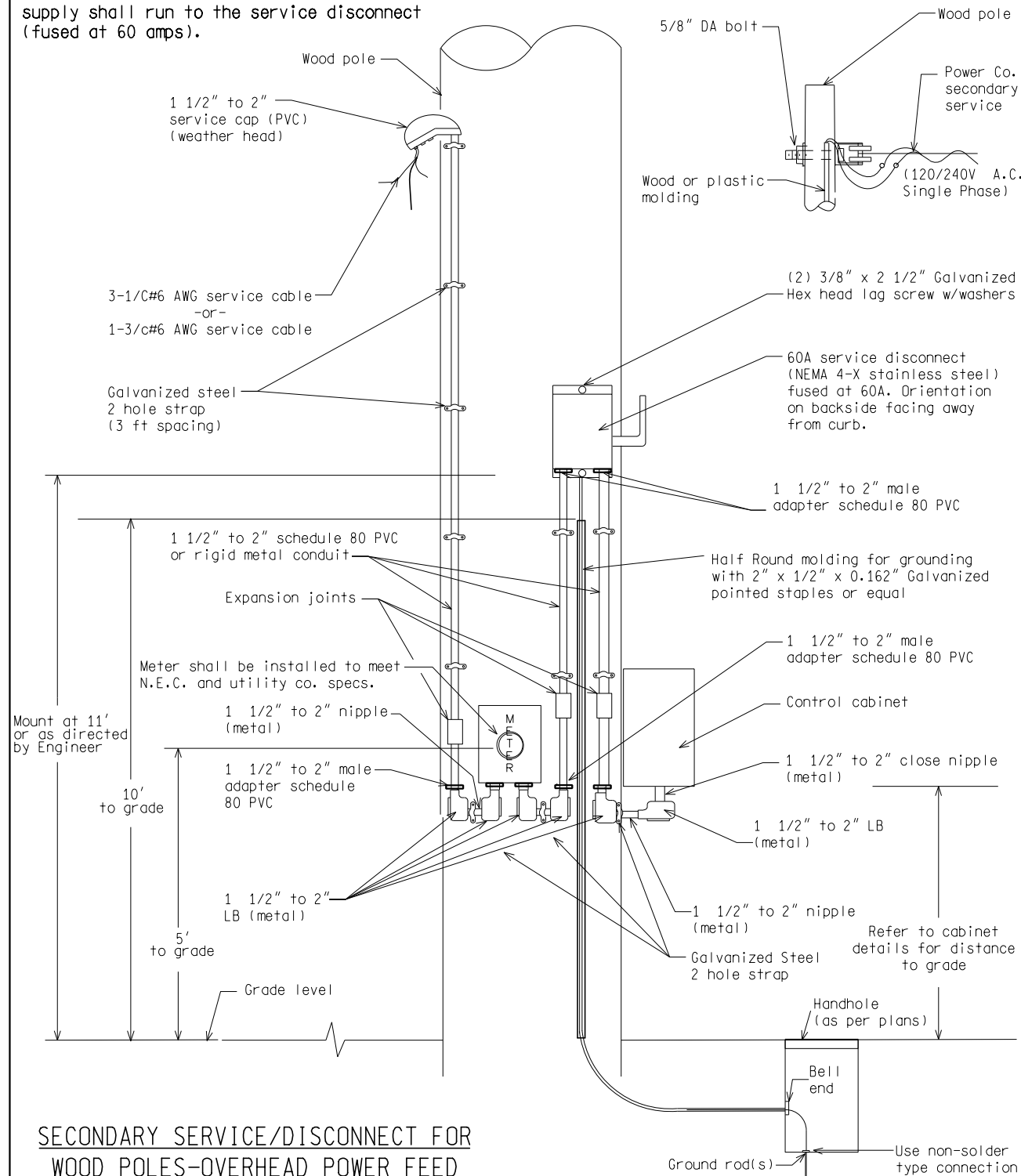
MICHIGAN DEPARTMENT OF TRANSPORTATION

DATE:	CS:
DESIGN UNIT:	JN:
TSC:	

DRAWING	SHEET
---------	-------

(\* NOTE:  
This detail is illustrated as a metered installation. If the plans call for an un-metered installation, then the meter shall be omitted and a direct electrical supply shall run to the service disconnect (fused at 60 amps).

(\* NOTE:  
Porcelain strain insulator (if required) shall meet the codes and placement requirements of the local utility co.



**SECONDARY SERVICE/DISCONNECT FOR WOOD POLES-OVERHEAD POWER FEED METERED SERVICE**

NOT TO SCALE

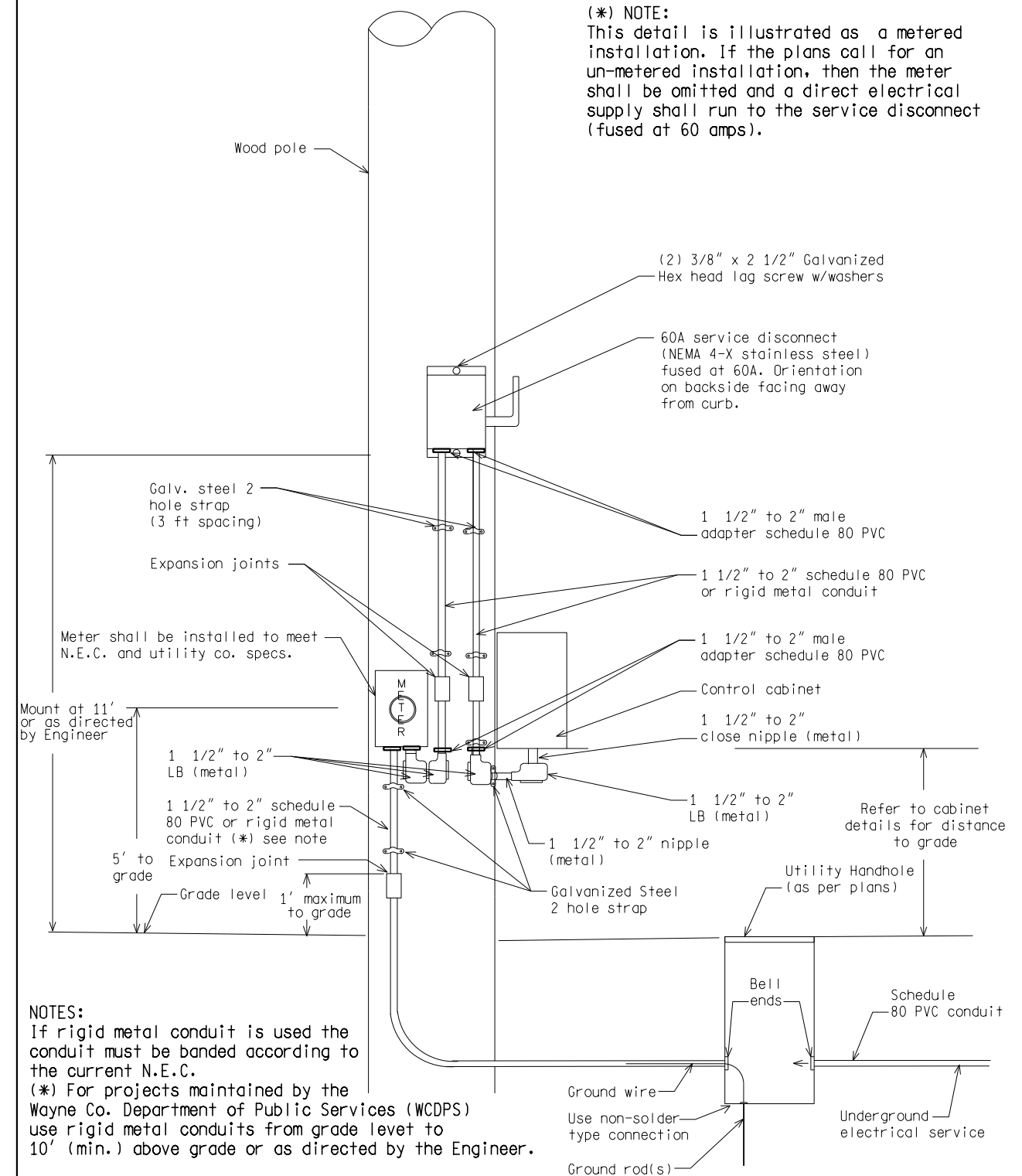
MICHIGAN DEPARTMENT OF TRANSPORTATION  
BUREAU OF HIGHWAYS DELIVERY STANDARD PLAN (SPECIAL DETAIL)  
FHWA APPROVAL DATE

PLAN DATE

SIG-200-A

SHEET 3 of 4

(\* NOTE:  
This detail is illustrated as a metered installation. If the plans call for an un-metered installation, then the meter shall be omitted and a direct electrical supply shall run to the service disconnect (fused at 60 amps).



**SECONDARY SERVICE/DISCONNECT FOR WOOD POLES-UNDERGROUND POWER FEED METERED SERVICE**

NOT TO SCALE

MICHIGAN DEPARTMENT OF TRANSPORTATION  
BUREAU OF HIGHWAYS DELIVERY STANDARD PLAN (SPECIAL DETAIL)  
FHWA APPROVAL DATE

PLAN DATE

SIG-200-A

SHEET 4 of 4

AS-LET PLAN REVISIONS							
NO.	DATE	AUTH	DESCRIPTION	NO.	DATE	AUTH	DESCRIPTION



DATE:	CS:	DRAWING	SHEET
DESIGN UNIT:	JN:		
TSC:			
FILE:			