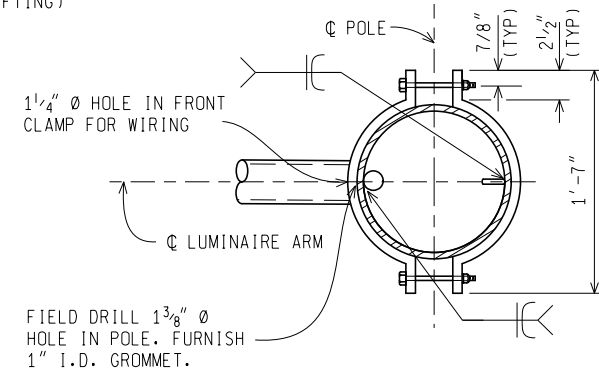
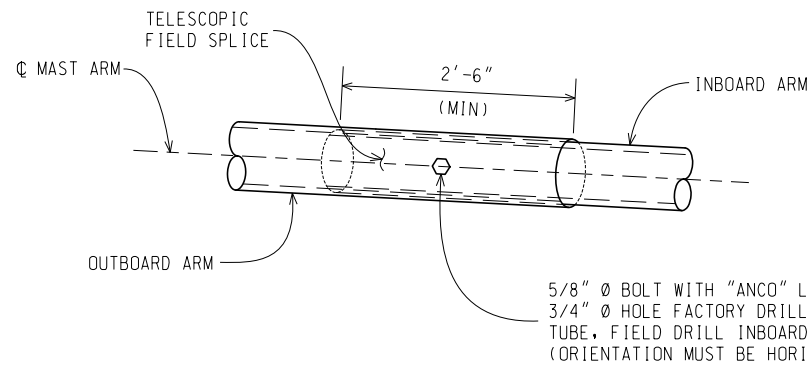


DETAIL A

ORIENTATION OF SCH. 40 PIPE 180° FROM HAND HOLE AT BASE & C-HOOK 180° FROM SCH. 40 PIPE

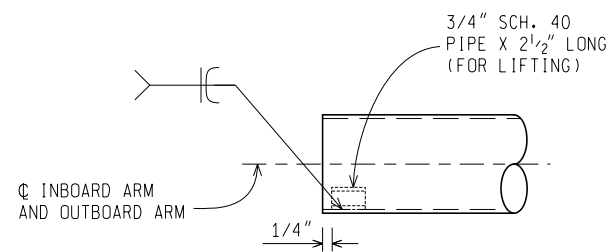


SECTION A-A



DETAIL B

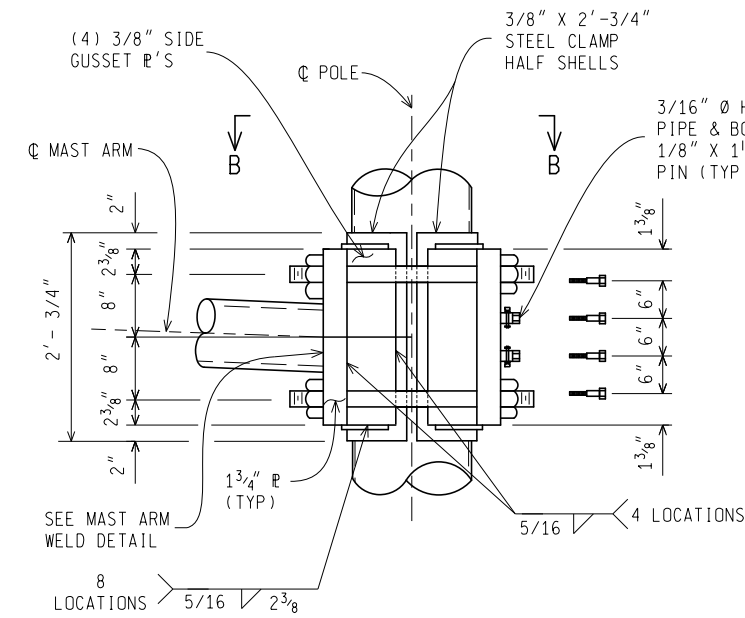
(35'-0" ARMS AND GREATER)



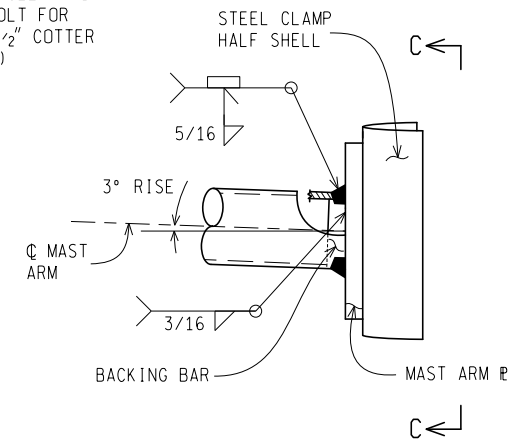
INBOARD/OUTBOARD ARM LIFTING DEVICE

NOT TO SCALE

MICHIGAN DEPARTMENT OF TRANSPORTATION BUREAU OF HIGHWAYS DELIVERY STANDARD PLAN		FHWA APPROVAL DATE		PLAN DATE	SIG-031-B	SHEET 3 of 6
File: RefDoc/TR/Signals/Web/Sp Det/F in/SIG031B.dgn	Rev. 11/05/18					

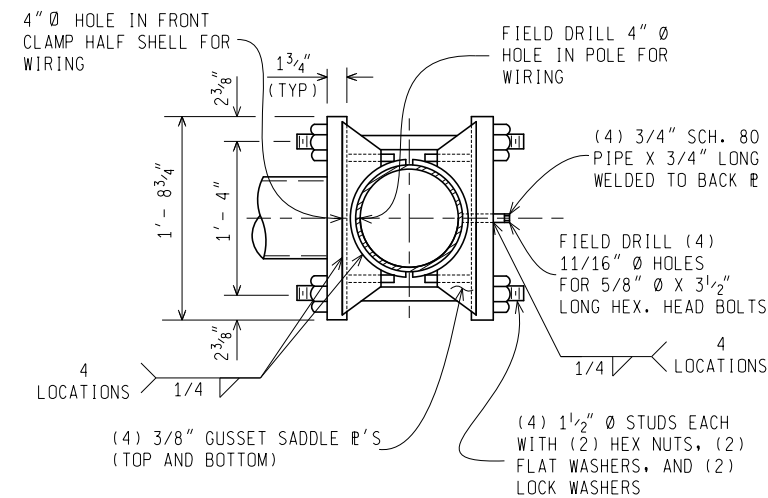


DETAIL C

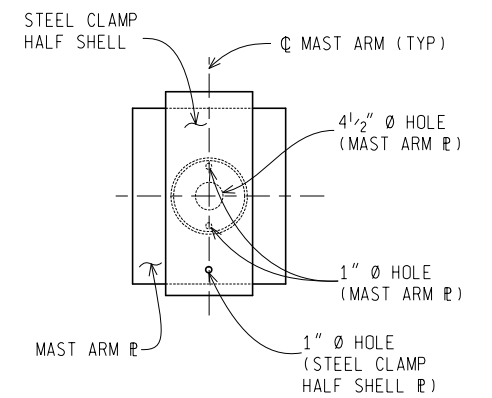


MAST ARM WELD DETAIL

SIDE GUSSET R'S AND SADDLE R'S NOT SHOWN FOR CLARITY



SECTION B-B



SECTION C-C

SIDE GUSSET R'S AND SADDLE R'S NOT SHOWN FOR CLARITY

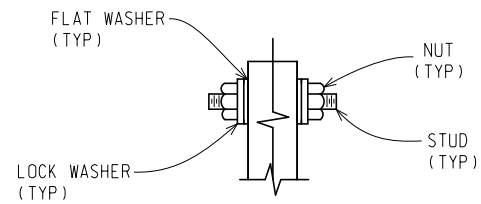
NOT TO SCALE

MICHIGAN DEPARTMENT OF TRANSPORTATION BUREAU OF HIGHWAYS DELIVERY STANDARD PLAN		FHWA APPROVAL DATE		PLAN DATE	SIG-031-B	SHEET 4 of 6
File: RefDoc/TR/Signals/Web/Sp Det/F in/SIG031B.dgn	Rev. 11/05/18					

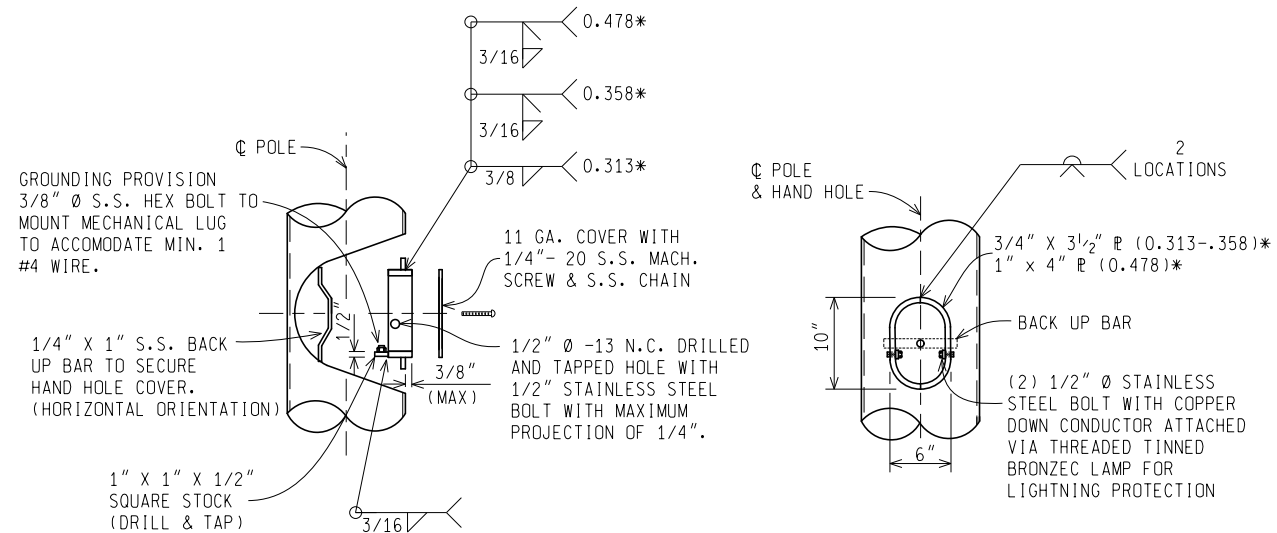
AS-LET PLAN REVISIONS							
NO.	DATE	AUTH	DESCRIPTION	NO.	DATE	AUTH	DESCRIPTION



DATE:	CS:	DRAWING	SHEET
DESIGN UNIT:	JN:		
TSC:			
FILE:			



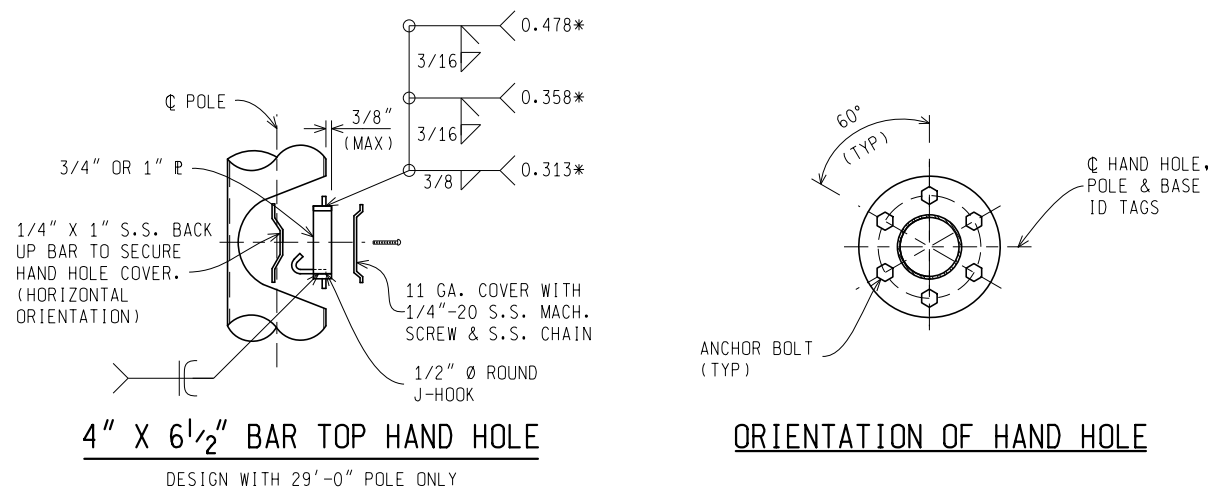
MAST ARM CLAMP WASHER PLACEMENT



6" X 10" BAR BOTTOM HAND HOLE

6" X 10" BAR BOTTOM HAND HOLE

(VIEW ROTATED 90 DEGREES)



4" X 6 1/2" BAR TOP HAND HOLE

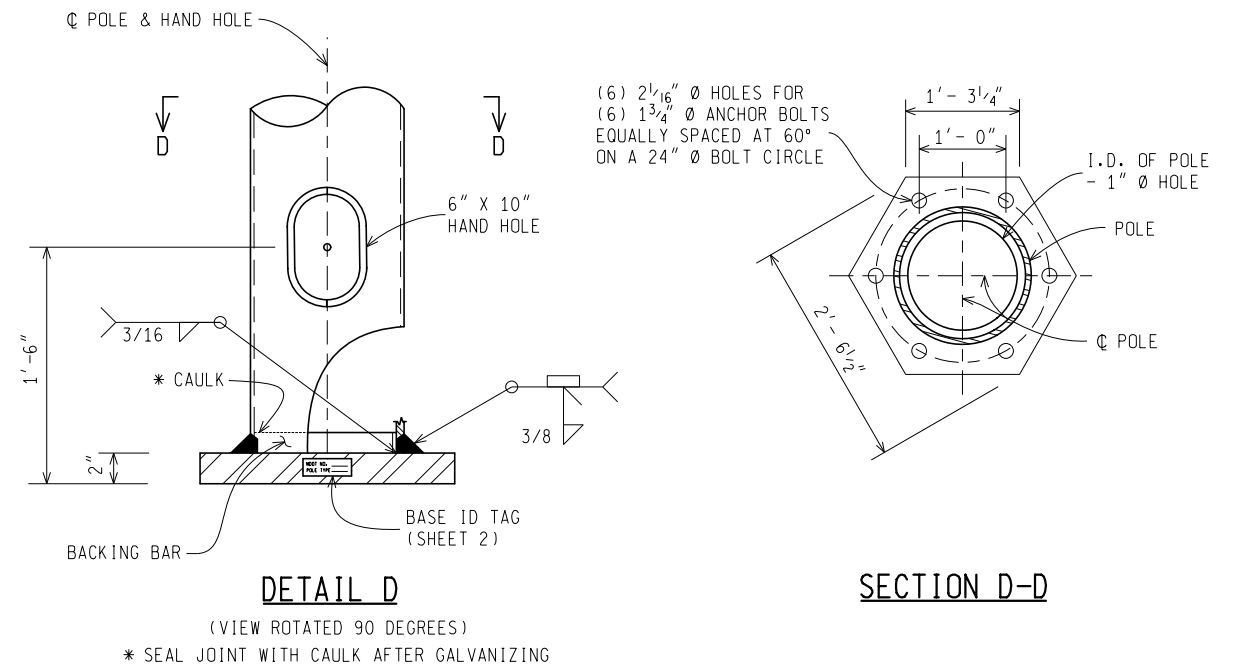
DESIGN WITH 29'-0" POLE ONLY

ORIENTATION OF HAND HOLE

* THICKNESS OF POLE

NOT TO SCALE

MICHIGAN DEPARTMENT OF TRANSPORTATION BUREAU OF HIGHWAYS DELIVERY STANDARD PLAN		FHWA APPROVAL DATE		PLAN DATE		SIG-031-B		SHEET 5 of 6	
File: RefDoc/TR/Signals/Web/Sp Det/F in/SIG031B.dgn		Rev. 11/05/18							

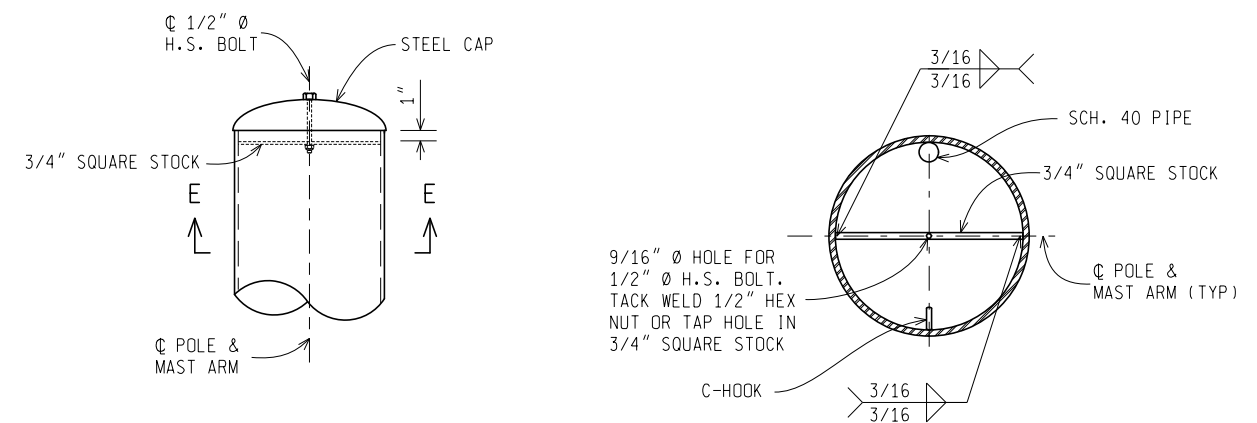


DETAIL D

(VIEW ROTATED 90 DEGREES)

* SEAL JOINT WITH CAULK AFTER GALVANIZING

SECTION D-D



POLE AND MAST ARM CAP DETAIL

SECTION E-E

NOT TO SCALE

MICHIGAN DEPARTMENT OF TRANSPORTATION BUREAU OF HIGHWAYS DELIVERY STANDARD PLAN		FHWA APPROVAL DATE		PLAN DATE		SIG-031-B		SHEET 6 of 6	
File: RefDoc/TR/Signals/Web/Sp Det/F in/SIG031B.dgn		Rev. 11/05/18							

AS-LET PLAN REVISIONS

NO.	DATE	AUTH	DESCRIPTION	NO.	DATE	AUTH	DESCRIPTION



DATE:	CS:	DRAWING	SHEET
DESIGN UNIT:	JN:		
TSC:			
FILE:			