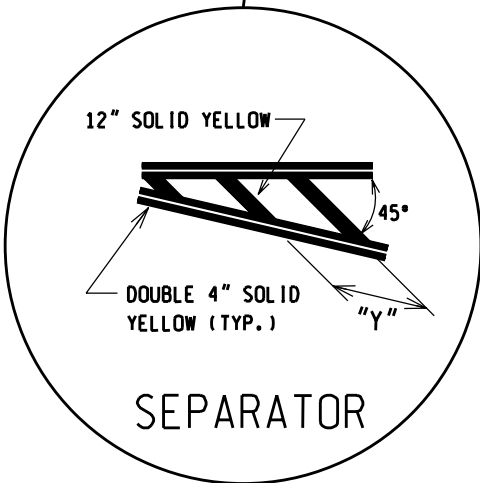


D = ADVANCE WARNING DISTANCE  
(REFER TO TABLE 2C-4 OF MMUTCD FOR D VALUES)

FOR "Y" VALUES SEE PAVE-945 SHEET 1



PAVEMENT WIDTH REDUCTION CROSS-HATCH SPACING	
POSTED SPEED LIMIT (MPH)	"Z" (FT)
25 OR LESS	10
30	20
35	20
40	40
45	40
50	60
55	60



PREPARED BY  
TSMD DIVISION

DRAWN BY: LME  
CHECKED BY: JGM

DEPARTMENT DIRECTOR  
Paul C. Ajegeba

APPROVED BY: Gregg Brunner, P.E. Gregg Brunner  
Nov 2 2020 12:10 PM

DIRECTOR, BUREAU OF FIELD SERVICES

APPROVED BY: Bradley C. Wieferich Bradley C. Wieferich  
Nov 5 2020 5:53 AM

DIRECTOR, BUREAU OF DEVELOPMENT

MICHIGAN DEPARTMENT OF TRANSPORTATION  
BUREAU OF DEVELOPMENT STANDARD PLAN FOR

## 2-LANE TO 4-LANE TRANSITION PAVEMENT MARKINGS

09/21/20  
F.H.W.A. APPROVAL

03/25/20  
PLAN DATE

PAVE-970-C

SHEET  
1 OF 1