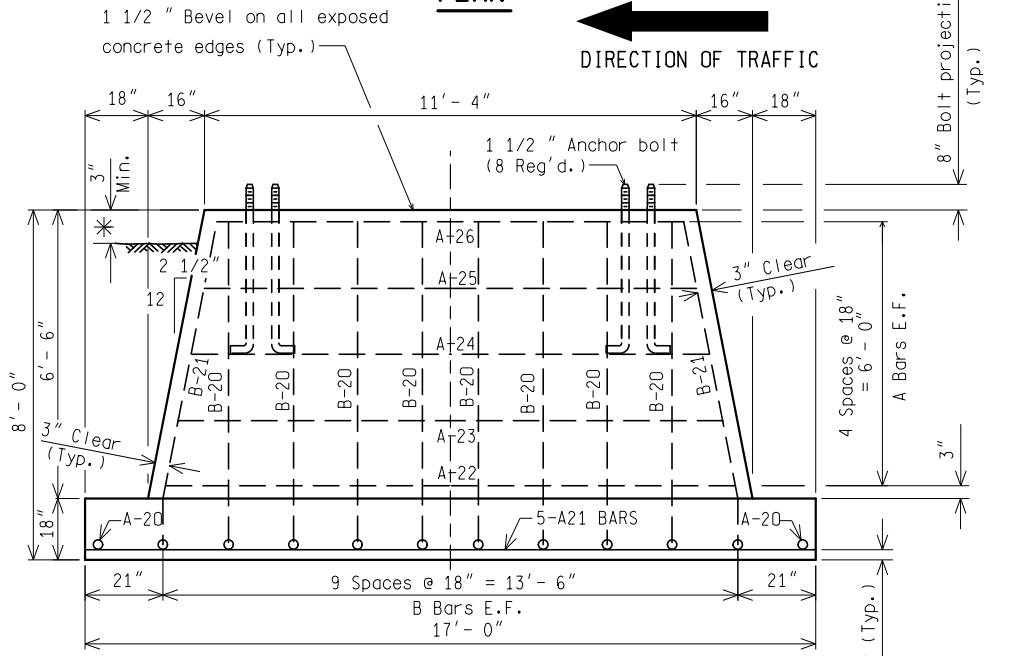


PLAN



ELEVATION

Steel Reinforcement			
Bar	Size	Dimensions	No. Req.
A-20	#4	5' - 0"	2
A-21	#4	16' - 6"	5
A-22	#4	13' - 5"	2
A-23	#4	12' - 9"	2
A-24	#4	12' - 2"	2
A-25	#4	11' - 6"	2
A-26	#4	10' - 11"	2
B-20	#5	7' - 6" 3' - 6"	16
B-21	#5	7' - 7" 3' - 6"	4

12.82 cu.yd. Conc.
373 lbs Reinf. steel

TO BE USED FOR MAINTENANCE PURPOSES ONLY

*The top of foundation shall be 3" (± 1") above the finished grade around the perimeter of the footing. The maximum slope along the width of the footing shall be 1 on 2.

MDOT
Michigan Department of Transportation

PREPARED BY
DESIGN DIVISION

DRAWN BY: DHD

CHECKED BY: AJU

DEPARTMENT DIRECTOR
Kirk T. Stuedle

APPROVED BY: _____
DIRECTOR, BUREAU OF FIELD SERVICES

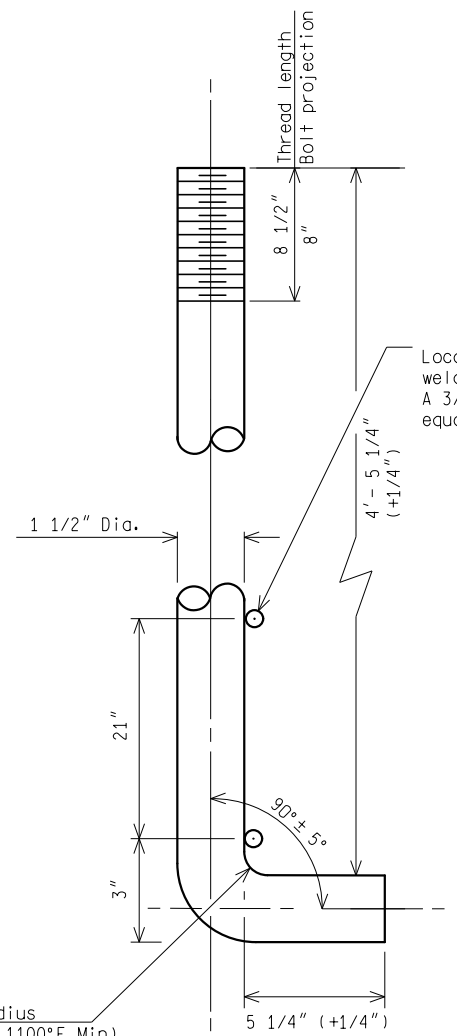
APPROVED BY: _____
DIRECTOR, BUREAU OF HIGHWAY DEVELOPMENT

MICHIGAN DEPARTMENT OF TRANSPORTATION
BUREAU OF HIGHWAY DEVELOPMENT STANDARD PLAN FOR

**TRUSS FOUNDATION
TYPE D**

(SPECIAL DETAIL) 12/17/13 SIGN-610-B SHEET 1 OF 3
F.H.W.A. APPROVAL PLAN DATE

Anchor bolts: 1 1/2" Dia. (8) per foundation
Nuts: 2 - 1 1/2" Dia. heavy hex. per anchor bolts
Washers: 2 - 1 1/2" Dia. standard flat per anchor bolts



Location of #6 bar circle or approved equal welded to anchor bolts to hold alignment. A 3/4" plywood template or approved equal must be secured in place.

DETAIL OF ANCHOR BOLT

NOT TO SCALE

MICHIGAN DEPARTMENT OF TRANSPORTATION
BUREAU OF HIGHWAY DEVELOPMENT STANDARD PLAN

(SPECIAL DETAIL) 12/17/13 SIGN-610-B SHEET 2 OF 3
F.H.W.A. APPROVAL PLAN DATE

NOTE: THE ORIGINAL SIGNED COPY IS KEPT ON FILE AT THE MICHIGAN DEPARTMENT OF TRANSPORTATION.

AS-LET PLAN REVISIONS							
NO.	DATE	AUTH	DESCRIPTION	NO.	DATE	AUTH	DESCRIPTION

MDOT
Michigan Department of Transportation

FILE:	DATE:	CS:	DRAWING	SHEET
	DESIGN UNIT:			
	TSC:	JN:		

NOTES:

1. Top of concrete shall be 3" min. above ground.
2. Anchor bolts shall be carefully set and held vertical at the correct location and at the proper elevation with a 3/4" plywood (or approved equal) template until concrete has set. Each set of four bolts shall be tied together by welding into a basket with #6 bar circle or approved equal along with securing a 3/4" plywood (or approved equal) template in place prior to being approved for shipping.
3. Anchor bolts, nuts, and washers shall be per section 908.14 of the MDOT Standard Specifications for Construction. A minimum of 3 threads shall show above the top of nut after tightening.
4. For truss foundation in concrete barrier, double face, refer to road standard plan R-51-Series.

NOT TO SCALE

MICHIGAN DEPARTMENT OF TRANSPORTATION BUREAU OF HIGHWAY DEVELOPMENT STANDARD PLAN	(SPECIAL DETAIL) F.H.W.A. APPROVAL	12/17/13 PLAN DATE	SIGN-610-B	SHEET 3 OF 3
--	---------------------------------------	-----------------------	------------	-----------------

NOTE: THE ORIGINAL SIGNED COPY IS KEPT ON FILE AT THE MICHIGAN DEPARTMENT OF TRANSPORTATION.

AS-LET PLAN REVISIONS

NO.	DATE	AUTH	DESCRIPTION	NO.	DATE	AUTH	DESCRIPTION



FILE:	DATE:	CS:	DRAWING	SHEET
	DESIGN UNIT:	JN:		
	TSC:			