

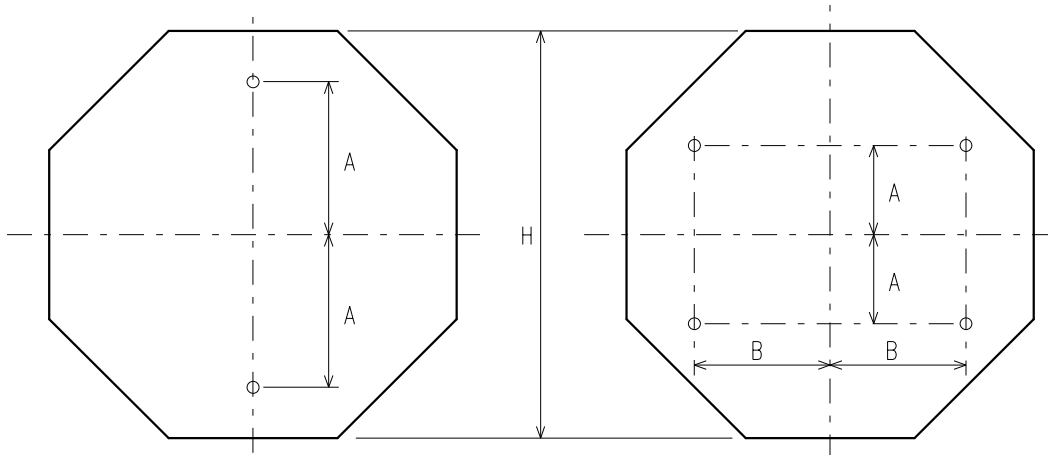
SUPPORT HOLE PLACEMENT

11-3 THROUGH 11-11

MI/2012

OCTAGON

ALL HOLES SHALL BE 7/16 INCH ϕ



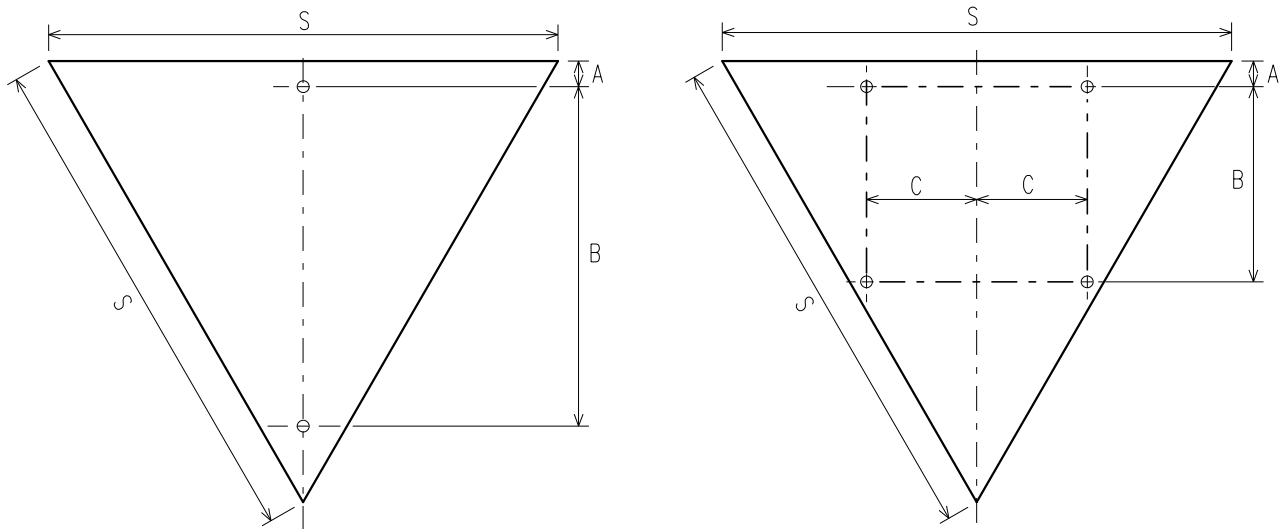
PANELS WITH 2 HOLES
DIMENSIONS (INCHES)

H	A
18	6
24	9
30	12
36	15

PANELS WITH 4 HOLES
DIMENSIONS (INCHES)

H	A	B
36	7-1/2	13
48	10-1/2	16

EQUILATERAL TRIANGLE



PANELS WITH 2 HOLES
DIMENSIONS (INCHES)

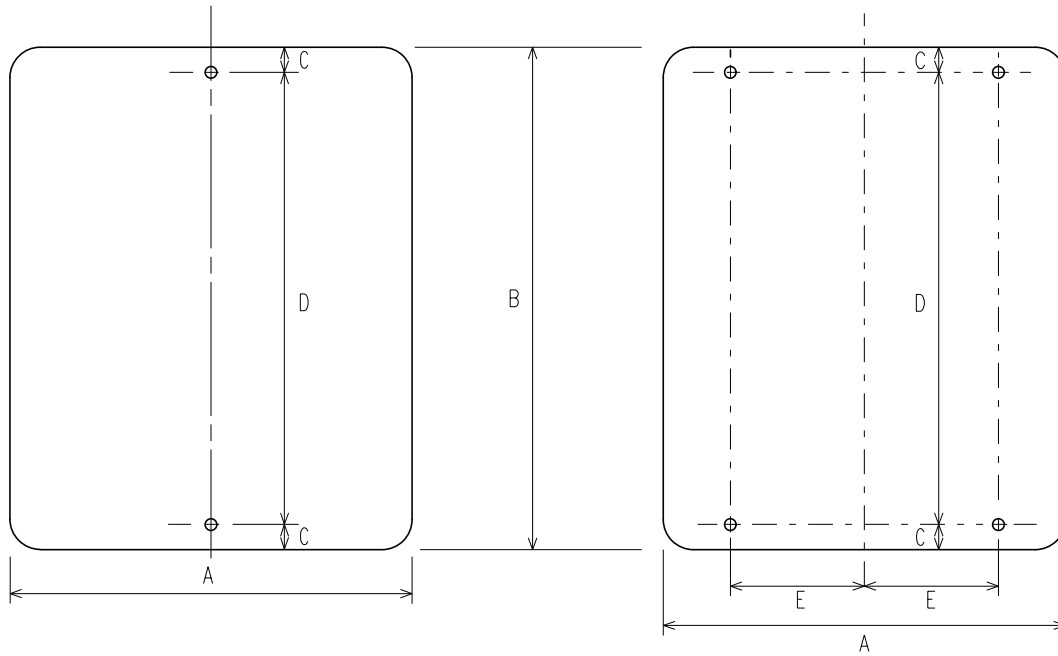
S	A	B
24	1-1/2	16
30	1-1/2	20
36	1-1/2	24

PANELS WITH 4 HOLES
DIMENSIONS (INCHES)

S	A	B	C
48	3	17	10
60	3	23	13

MI/2012

VERTICAL RECTANGLE



PANELS WITH 2 HOLES
DIMENSIONS (INCHES)

A	B	C	D
6	12	1	10
8	18	1-1/2	15
9	12	1	10
9	18	1-1/2	15
10	18	1-1/2	15
10	27	1-1/2	24
12	18	1-1/2	15
12	24	1-1/2	21
12	30	1-1/2	27
12	36	1-1/2	33
18	24	1-1/2	21
24	30	1-1/2	27
24	36	1-1/2	33
24	38	1-1/2	35
24	42	1-1/2	39
30	36	1-1/2	33
30	42	1-1/2	39

PANELS WITH 4 HOLES
DIMENSIONS (INCHES)

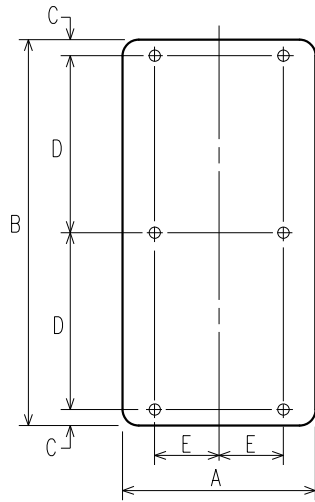
A	B	C	D	E
36	48	1-1/2	45	12*
48	60	1-1/2	57	16
60	72	1-1/2	69	15

* E=13 FOR SIGNS W13-2 AND W13-3
E=15 FOR SIGN D4-2

MI/2012

VERTICAL RECTANGLE - CONTINUED

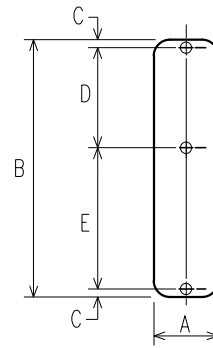
SIGN R2-4a



PANELS WITH 6 HOLES
DIMENSIONS (INCHES)

A	B	C	D	E
24	48	1-1/2	22-1/2	10
36	72	3	33	12
48	96	3	45	16

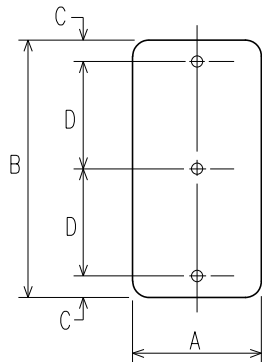
SIGN D10-3



PANELS WITH 3 HOLES
DIMENSIONS (INCHES)

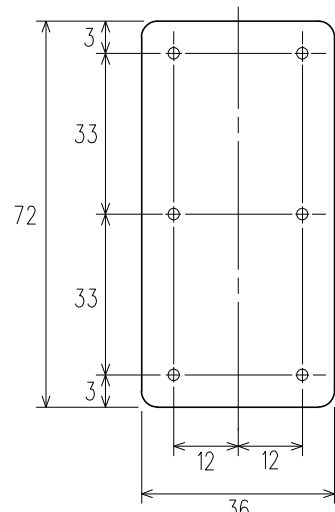
A	B	C	D	E
10	36	1-1/2	15	18
12	48	1-1/2	20	25

SIGN OM-3



PANELS WITH 3 HOLES
DIMENSIONS (INCHES)

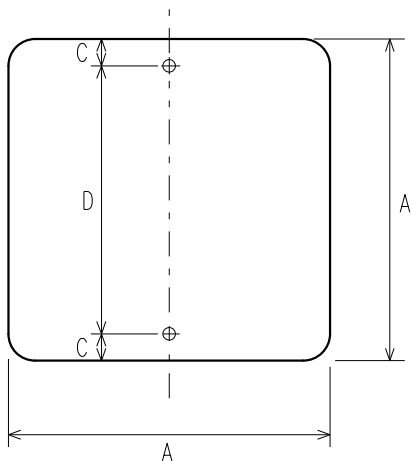
A	B	C	D
12	36	1-1/2	16-1/2
24	48	3	21



PANELS WITH 6 HOLES

MI/2012

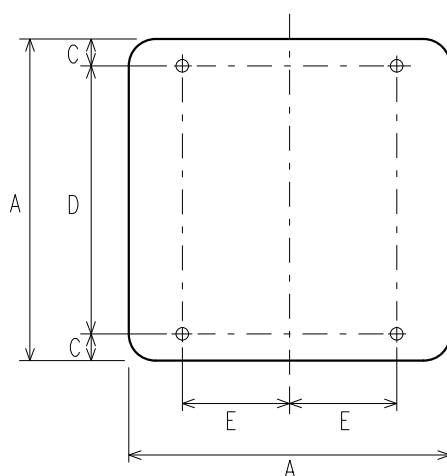
SQUARE



PANELS WITH 2 HOLES

A	C	D
12	1-1/2	9
18	1-1/2	15
24	1-1/2	21
30	1-1/2	27
36	3	30*

* SIGNS M1-4 AND M1-6 ONLY

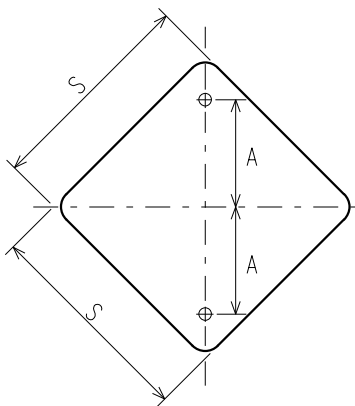


PANELS WITH 4 HOLES

A	C	D	E
36	3	30	12**
48	3	42	16

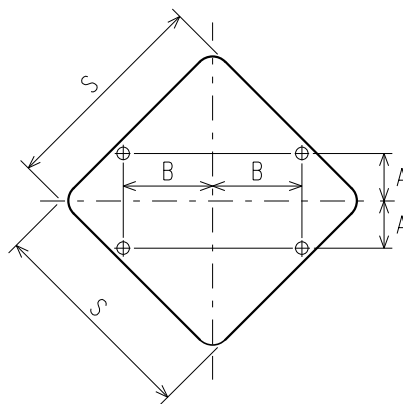
**EXCEPT SIGNS M1-4 AND M1-6 WHICH HAVE 2 HOLES

DIAMOND



PANELS WITH 2 HOLES

S	A
18	9
24	12
30	15
36	18

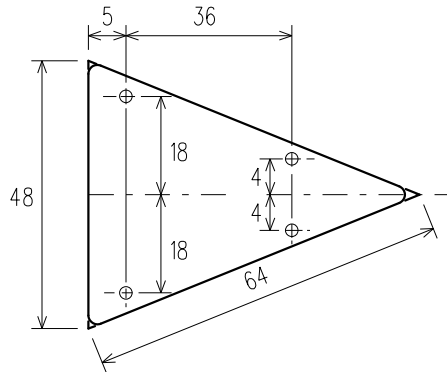


PANELS WITH 4 HOLES

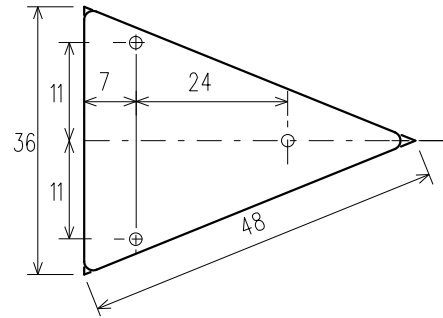
S	A	B
36	7-1/2	15
48	10-1/2	20

MI/2012

ISOSCELES TRIANGLE

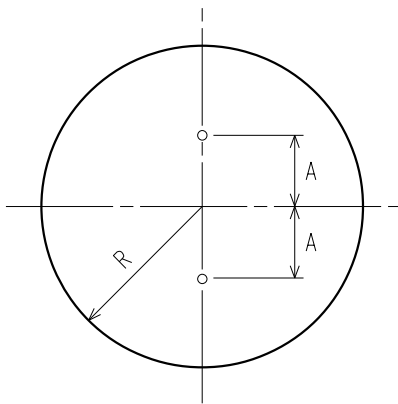


PANELS WITH 4 HOLES

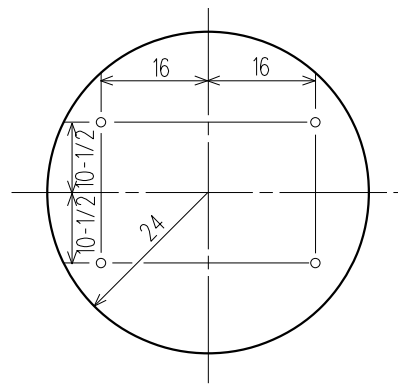


PANELS WITH 3 HOLES

CIRCLE



PANELS WITH 2 HOLES

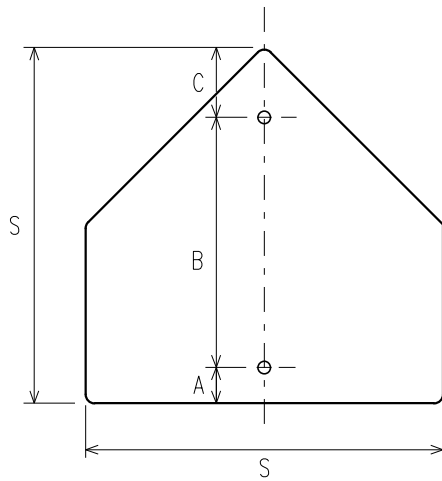


PANELS WITH 4 HOLES

R	A
15	13-1/2
18	15

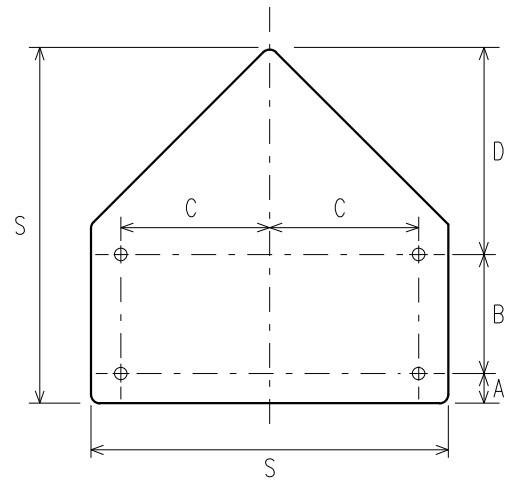
MI/2012

PENTAGON (SCHOOL)



PANELS WITH 2 HOLES

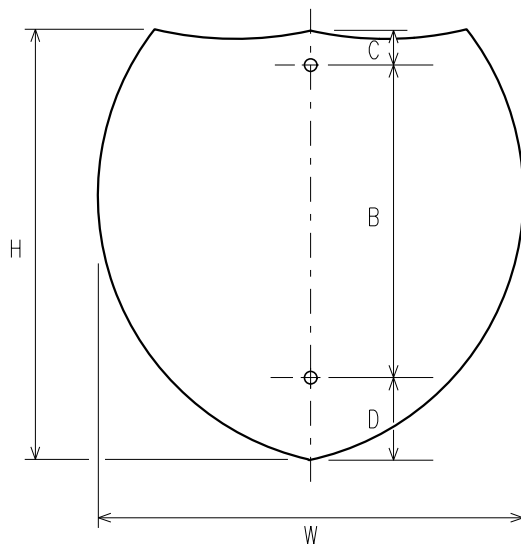
S	A	B	C
30	3	21	6
36	3	27	6



PANELS WITH 4 HOLES
DIMENSIONS (INCHES)

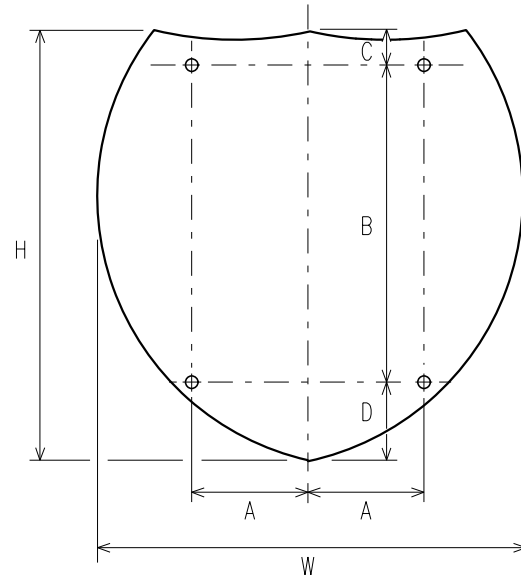
S	A	B	C	D
36	3	12	15	21
48	3	18	20	27

INTERSTATE SHIELD



PANELS WITH 2 HOLES
DIMENSIONS (INCHES)

H	W	B	C	D
24	24	18	1-1/2	4-1/2
24	30	18	1-1/2	4-1/2
36	36	28	2-1/2	5-1/2

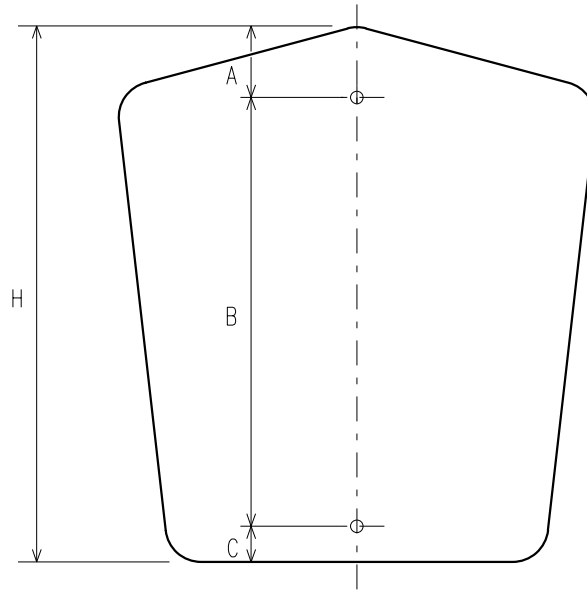


PANELS WITH 4 HOLES
DIMENSIONS (INCHES)

H	W	A	B	C	D
36	45	13	24	2-1/2	9-1/2
48	48	13	36	3-1/2	8-1/2
48	60	17	34	3-1/2	10-1/2

MI/2012

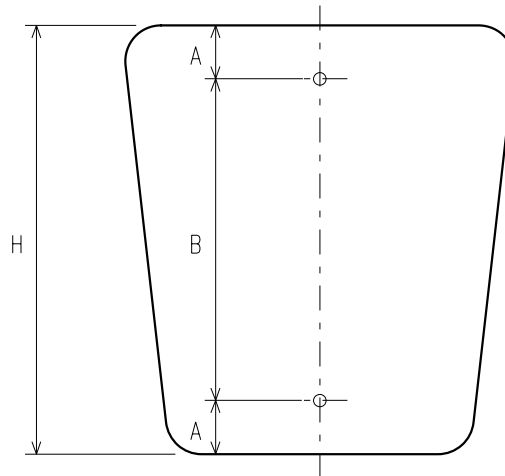
COUNTY SHIELD



DIMENSIONS (INCHES)

H	A	B	C
18	2	15	1
24	4	18-1/2	1-1/2
30	4	24-1/2	1-1/2
36	4	30-1/2	1-1/2

NATIONAL FOREST SHIELD



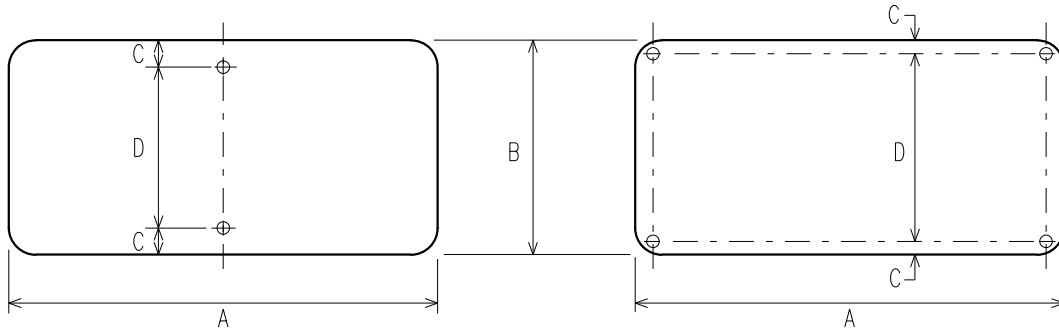
DIMENSIONS (INCHES)

H	A	B
18	1-1/2	15
24	1-1/2	21

MI/2012

HORIZONTAL RECTANGLE

PANELS WITH 2 AND 4 HOLES
STANDARD VERTICAL SPACING BETWEEN HOLES
AND TOP AND BOTTOM OF PANEL



PANELS WITH 2 HOLES
DIMENSIONS (INCHES)

PANELS WITH 4 HOLES

DIMENSIONS (INCHES)

A	B	C	D
12	4	1	2
12	6	1	4
12	9	1	7
18	6	1	4
18	8	1	6
18	9	1	7
18	12	1	10
18	15	1-1/2	12
21	15	1-1/2	12
24	7	1-1/2	4
24	8	1-1/2	5
24	9	1-1/2	6
24	10	1-1/2	7
24	12	1-1/2	9
24	15	1-1/2	12
24	18	1-1/2	15
30	15	1-1/2	12
30	18	1-1/2	15*
30	21	1-1/2	18
30	24	1-1/2	21
36	18	1-1/2	15**
45	36	3	30•

A	B	C	D
30	12	1-1/2	9
30	18	1-1/2	15*
36	12	1-1/2	9
36	15	1-1/2	12
36	18	1-1/2	15**
36	24	1-1/2	21
36	30	1-1/2	27
42	18	1-1/2	15
42	24	1-1/2	21
42	30	3	24
48	16	3	10
48	18	3	12
48	20	3	14
48	24	3	18

A	B	C	D
48	30	3	24
48	36	3	30
54	12	••1-1/2	9
60	24	3	18
60	30	3	24
60	36	3	30
60	48	3	42
66	12	3	6
72	24	3	18
72	36	3	30
72	44	3	38
96	24	3	18
96	48	3	42

* SIGN R5-14 HAS 4 HOLES, OTHER 30" X 18" SIGNS HAVE 2 HOLES.

** SIGN G20-4 HAS 2 HOLES, OTHER 36" X 18" SIGNS HAVE 4 HOLES.

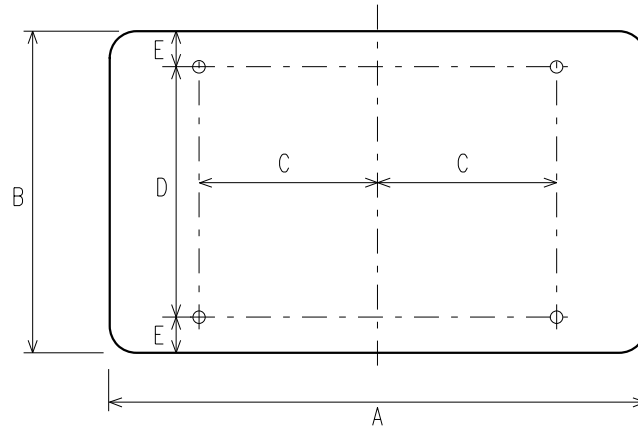
• FOR ROUTE MARKERS ONLY

•• C = 1-1/2, TO KEEP BOLTS AWAY FROM ARROW HEADS

MI/2012

HORIZONTAL RECTANGLE - CONTINUED

STANDARD HORIZONTAL SPACING BETWEEN HOLES
AND VERTICAL CENTER LINE OF PANELS
NEEDING 2 SUPPORTS (4 HOLES)



DIMENSIONS (INCHES)

A	B	C	D	E
30	12	10	9	1-1/2
30	18	10	15	1-1/2
36	12	12	9	1-1/2
36	18	12	15	1-1/2
36	24	12*	21	1-1/2
36	30	12	27	1-1/2
42	18	14	15	1-1/2
42	24	14	21	1-1/2
42	30	14	27	1-1/2
42	36	14	33	1-1/2
48	18	16	12	3
48	24	16	18	3
48	30	16	24	3
48	36	16	30	3
54	18	18	12	3
54	24	18	18	3
54	30	18	24	3
54	36	18	30	3
54	42	18	36	3
54	48	18	42	3
60	18	20	12	3
60	24	20	18	3
60	30	20	24	3
60	36	20	30	3
60	42	20	36	3
60	48	20	42	3

*C=13" FOR SIGN ERECTED WITH R1-1's

DIMENSIONS (INCHES)

A	B	C	D	E
72	18	24	12	3
72	24	24	18	3
72	30	24	24	3
72	36	24	30	3
72	42	24	36	3
72	48	24	42	3
84	18	28	12	3
84	24	28	18	3
84	30	28	24	3
84	36	28	30	3
84	42	28	36	3
84	48	28	42	3
96	18	32	12	3
96	24	32	18	3
96	30	32	24	3
96	36	32	30	3
96	42	32	36	3
96	48	32	42	3

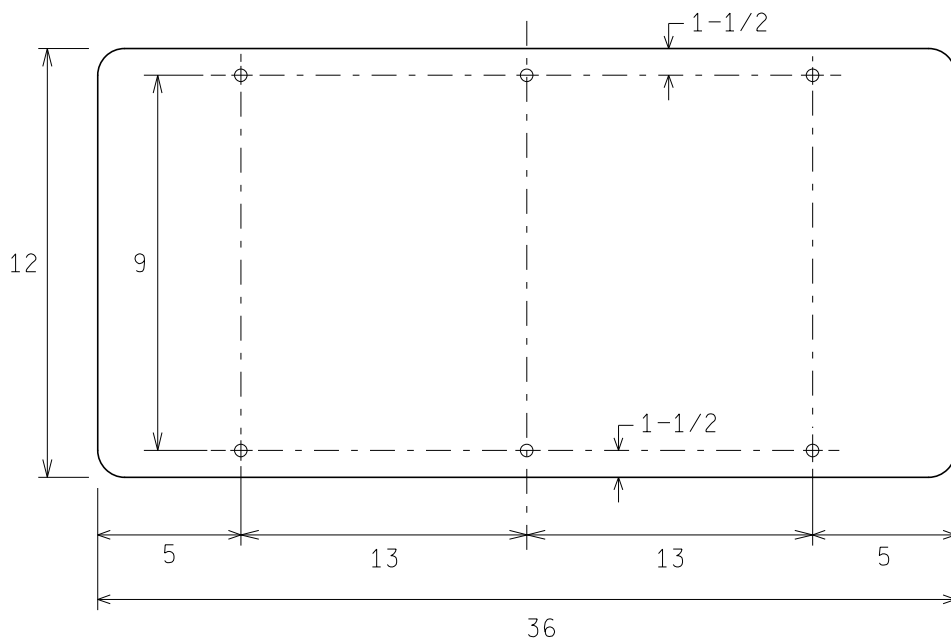
SUPPLEMENTAL PANELS FOR USE
WITH DIAMOND AND PENTAGON SIGNS
DIMENSIONS (INCHES)

A	B	C	D	E
36	12	15	9	1-1/2
36	15	15	12	1-1/2
36	18	15	15	1-1/2
36	24	15	21	1-1/2
48	16	20	10	3
48	20	20	14	3
48	24	20	18	3
48	30	20	24	3

MI/2012

HORIZONTAL RECTANGLE - CONTINUED

STANDARD VERTICAL AND HORIZONTAL SPACING BETWEEN HOLES FOR R6-1 PANELS

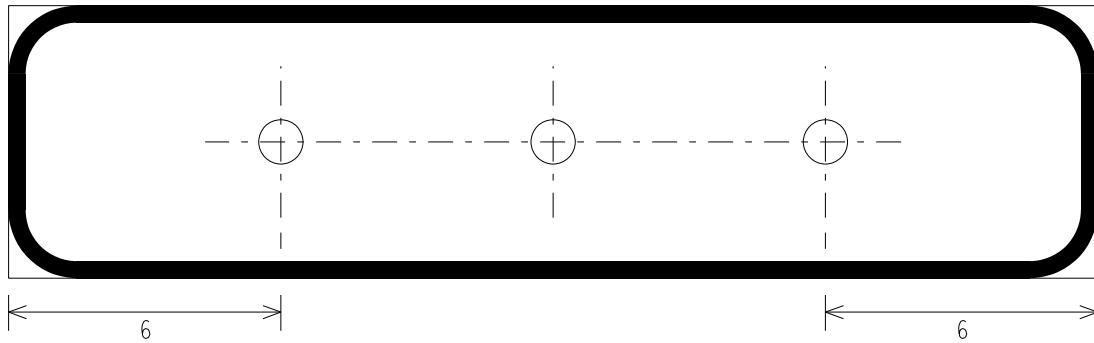


MI/2012

HORIZONTAL RECTANGLE - CONTINUED

STANDARD VERTICAL AND HORIZONTAL SPACING BETWEEN HOLES FOR E11-3 PANEL

SUPPORT HOLE PLACEMENT



MI/2012