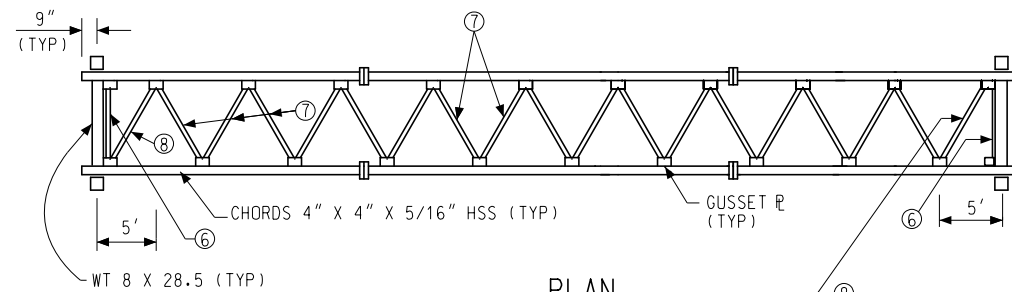
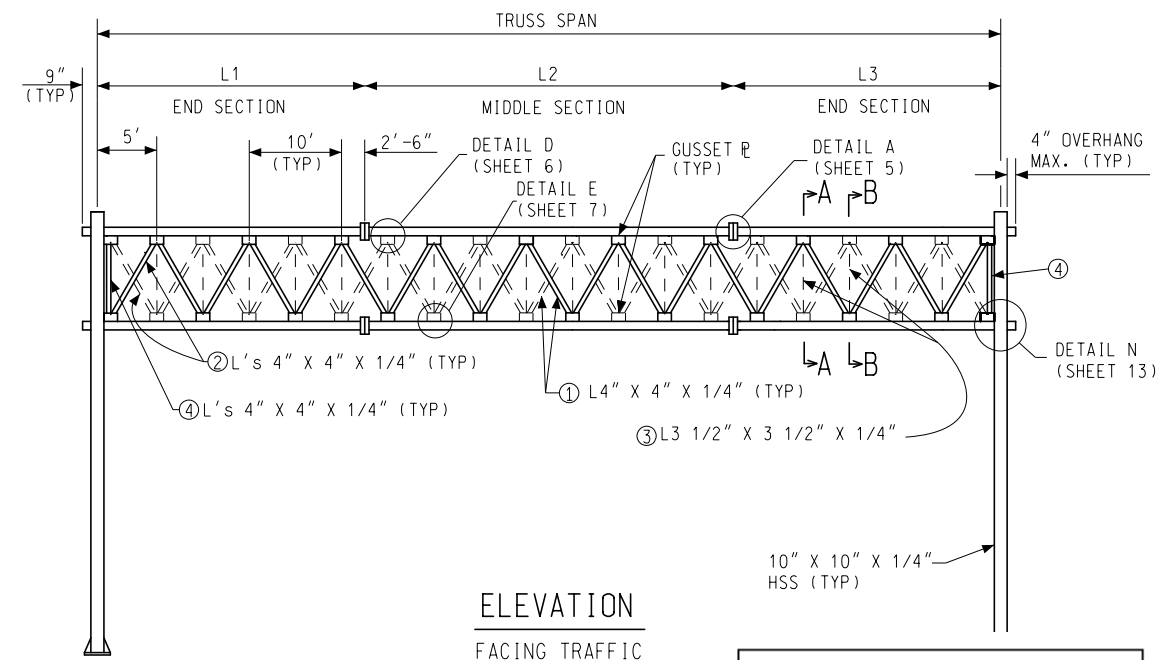


PLAN
TOP WIND BRACING LOOKING DOWN



PLAN
BOTTOM WIND BRACING LOOKING DOWN



ELEVATION
FACING TRAFFIC

TO BE USED FOR MAINTENANCE
PURPOSES ONLY

TRUSS DATA						
TRUSS SPAN (FT)	L1 (FT)	L2 (FT)	L3 (FT)	CAMBER (IN)	BOX TRUSS	ESTIMATED WEIGHT (LBS/FT)
50	17.5	15	17.5	5/8	6'-0" x 5'-4"	143
55	17.5	20	17.5	3/4	6'-0" x 5'-4"	143
60	22.5	15	22.5	7/8	6'-0" x 5'-4"	143
65	22.5	20	22.5	1	6'-0" x 5'-4"	143
70	22.5	25	22.5	1	6'-0" x 5'-4"	143

THE CAMBER GIVEN IN THE ABOVE TABLE IS THE ORDINATE AT THE CENTER OF THE ASSEMBLED TRUSS PRIOR TO DEAD LOAD DEFLECTION. ALLOWABLE CAMBER TOLERANCE FOR TRUSS IS $\pm 25\%$.

NOTES:

1. THE DESIGN OF THIS STRUCTURE IS BASED ON THE AASHTO STANDARD SPECIFICATIONS FOR STRUCTURAL SUPPORTS FOR HIGHWAY SIGNS, LUMINARIES AND TRAFFIC SIGNALS, CURRENT EDITION.
2. WELDING MUST BE IN CONFORMANCE WITH AMERICAN WELDING SOCIETY (AWS) D1.1:2010, STRUCTURAL WELDING CODE-STEEL (AS MODIFIED BY THE CURRENT 12SP-707A - STRUCTURAL STEEL AND ALUMINUM CONSTRUCTION), HEREAFTER CALLED AWS D1.1.
3. MAXIMUM SIGN AREA IS 500 SQUARE FEET FOR NO MORE THAN THREE SIGNS. MAXIMUM 6 FOOT PROJECTION ABOVE THE TOP CHORD.
4. HOT-DIP GALVANIZE (HDG) ALL TRUSS COMPONENTS PER ASTM A123 PRIOR TO BOLTED ASSEMBLY. HDG ALL FASTENER COMPONENTS PER ASTM A153. BLAST CLEAN BASE PLATES, STIFFENERS, AND ALL WELDMENTS PRIOR TO GALVANIZING.
5. PROVIDE 13/16" \emptyset HOLES FOR 3/4" \emptyset HIGH STRENGTH (HS) BOLTS FOR ALL CONNECTIONS UNLESS OTHERWISE STATED. PROVIDE HIGH STRENGTH BOLTS, NUTS, AND WASHERS IN ACCORDANCE WITH SUBSECTION 906.07 OF THE MDT STANDARD SPECIFICATIONS FOR CONSTRUCTION.
6. TIGHTEN ALL HIGH STRENGTH BOLTS BY THE TURN OF NUT METHOD PER SUBSECTION 707.03.D OF THE MDT STANDARD SPECIFICATIONS FOR CONSTRUCTION.
7. DO NOT LIFT THE TRUSS BY THE WEB MEMBERS.
8. THE CAMBERING MUST BE PROVIDED IN THE FABRICATION SO THAT THE FLANGES ARE CORRECTLY SLOPED TO ASSURE OBTAINING FULL CONTACT IN THE RELAXED ASSEMBLED POSITION PRIOR TO SNUGGING UP THE FLANGE BOLTS. THE FLANGE BOLTS MUST NOT BE TIGHTENED IN AN ATTEMPT TO CLOSE ANY FLANGE MISALIGNMENT.
9. THE TRUSS SECTION LENGTHS TABULATED MAY BE INCREASED IN 5 FOOT INCREMENTS TO REDUCE THE NUMBER OF FIELD SPLICES.
10. THE MAXIMUM SECTION LENGTH MUST NOT EXCEED 40 FEET. ANY DEVIATION FROM THE DETAILS SHOWN ON THESE STANDARDS WILL REQUIRE APPROVED SHOP DRAWINGS BEFORE FABRICATION.
11. ALL WELDS MUST BE 100 PERCENT VISUAL TEST (VT) INSPECTED BY AN AWS CERTIFIED WELDING INSPECTOR (CWI). ALL FILLET WELDS (EXCEPT END CAP AND COLUN CAP WELDS) MUST BE 25 PERCENT MAGNETIC PARTICLE TEST (MT) INSPECTED BY A TECHNICIAN QUALIFIED IN ACCORDANCE WITH THE AMERICAN SOCIETY OF NONDESTRUCTIVE TESTING (ASNT) LEVEL II. ALL COMPLETE JOINT PENETRATION (CJP) WELDS MUST BE 100 PERCENT ULTRASONIC TEST (UT) INSPECTED BY A TECHNICIAN QUALIFIED IN ACCORDANCE WITH ASNT LEVEL II.
12. SEE CURRENT MDT SIGN SUPPORT TYPICAL PLAN SIGN-600-SERIES FOR SIGN FOUNDATION.
13. SEE CURRENT MDT SIGN SUPPORT TYPICAL PLAN SIGN-700-SERIES FOR SIGN CONNECTION.
14. BASE PLATE (P) WARPAGE MUST NOT EXCEED 1/16 INCH PER FOOT.
15. HSS DENOTES HOLLOW STRUCTURAL SHAPE.

NOT TO SCALE

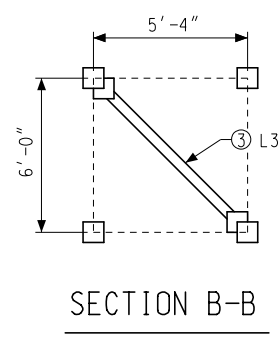
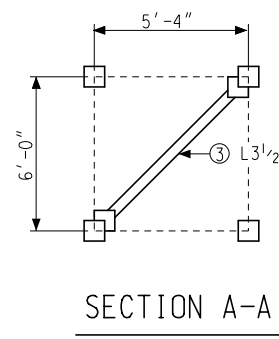
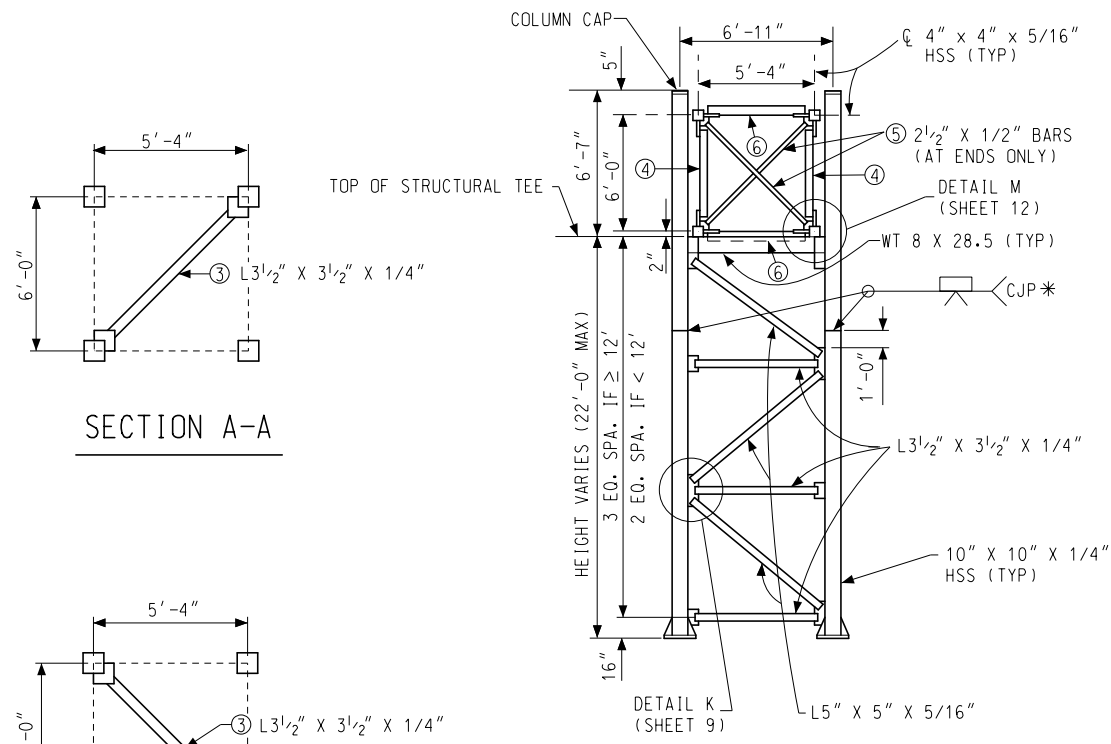
<p>PREPARED BY DESIGN DIVISION</p> <p>DRAWN BY: _____</p> <p>CHECKED BY: _____</p>	<p>DEPARTMENT DIRECTOR Kirk T. Steudle</p> <p>APPROVED BY: _____ DIRECTOR, BUREAU OF FIELD SERVICES</p>	<p>MICHIGAN DEPARTMENT OF TRANSPORTATION BUREAU OF DEVELOPMENT STANDARD PLAN FOR</p> <p>STEEL TRUSS TYPE C (50 FT - 70 FT)</p>	
	<p>APPROVED BY: _____ DIRECTOR, BUREAU OF DEVELOPMENT</p>	<p>(SPECIAL DETAIL) F.H.W.A. APPROVAL</p> <p>PLAN DATE</p> <p>SIGN-540-B</p> <p>SHEET 1 OF 14</p>	

<p>MICHIGAN DEPARTMENT OF TRANSPORTATION DIRECTOR, BUREAU OF DEVELOPMENT</p>	<p>(SPECIAL DETAIL) F.H.W.A. APPROVAL</p> <p>PLAN DATE</p> <p>SIGN-540-B</p> <p>SHEET 2 OF 14</p>
--	---

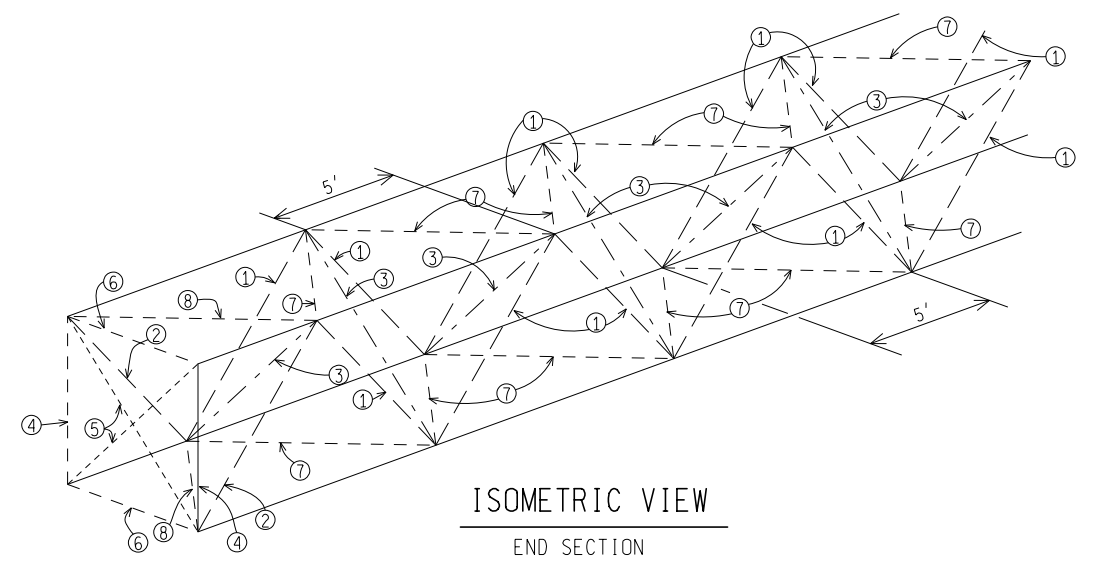
AS-LET PLAN REVISIONS							DATE:	CS:	DRAWING	SHEET
NO.	DATE	AUTH	DESCRIPTION	NO.	DATE					

FILE:

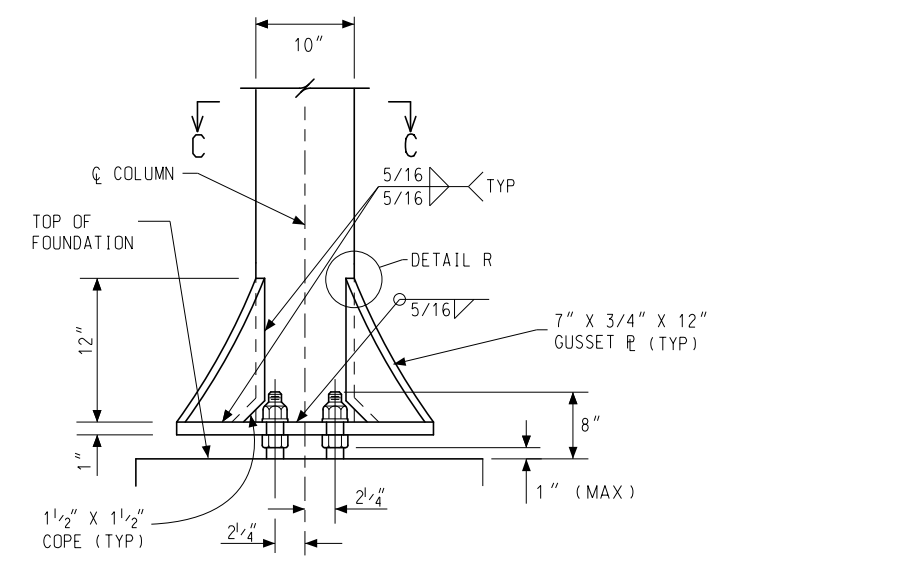
TSC:



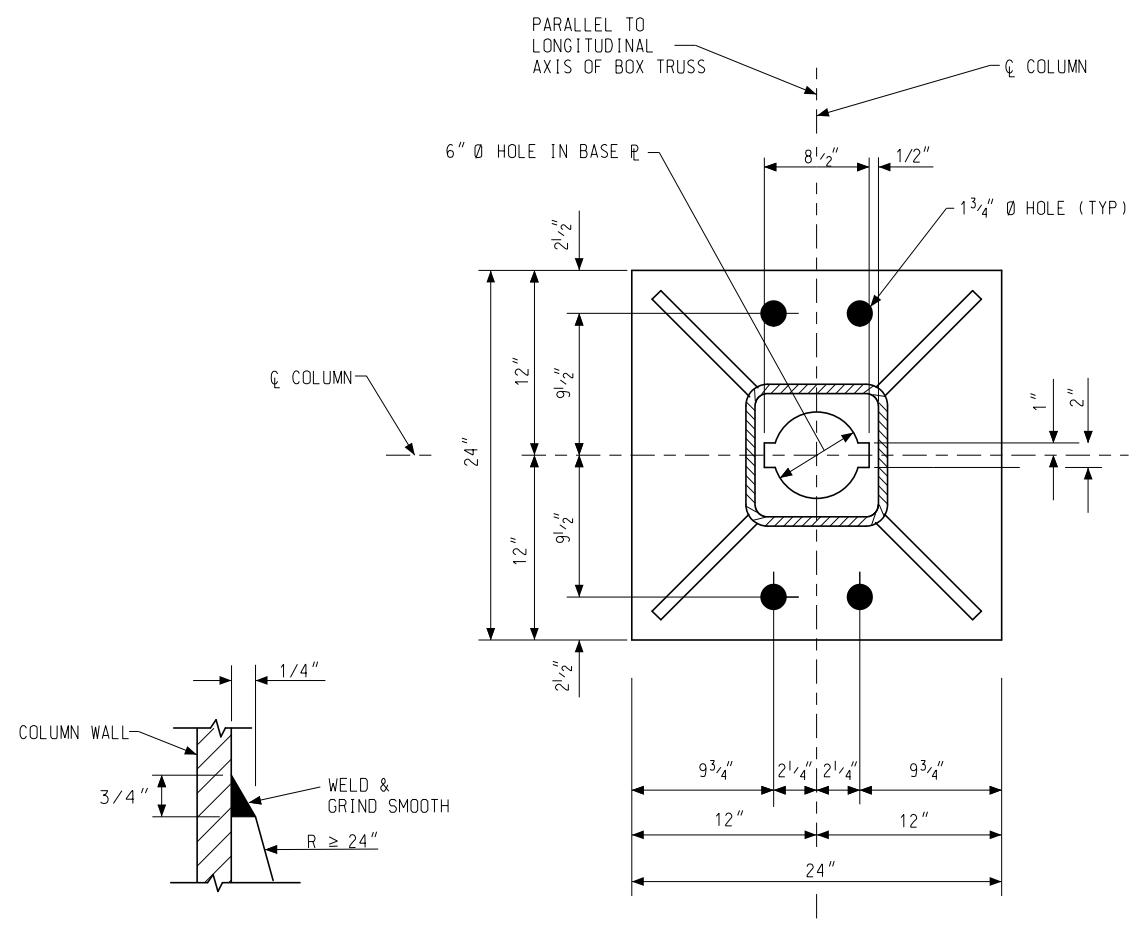
END ELEVATION
*OPTIONAL SPLICE



NOT TO SCALE
MICHIGAN DEPARTMENT OF TRANSPORTATION
DIRECTOR, BUREAU OF DEVELOPMENT
(SPECIAL DETAIL)
F.H.W.A. APPROVAL
PLAN DATE
SIGN-540-B
SHEET 3 OF 14



DETAIL OF BASE LEVELING NUTS



DETAIL R

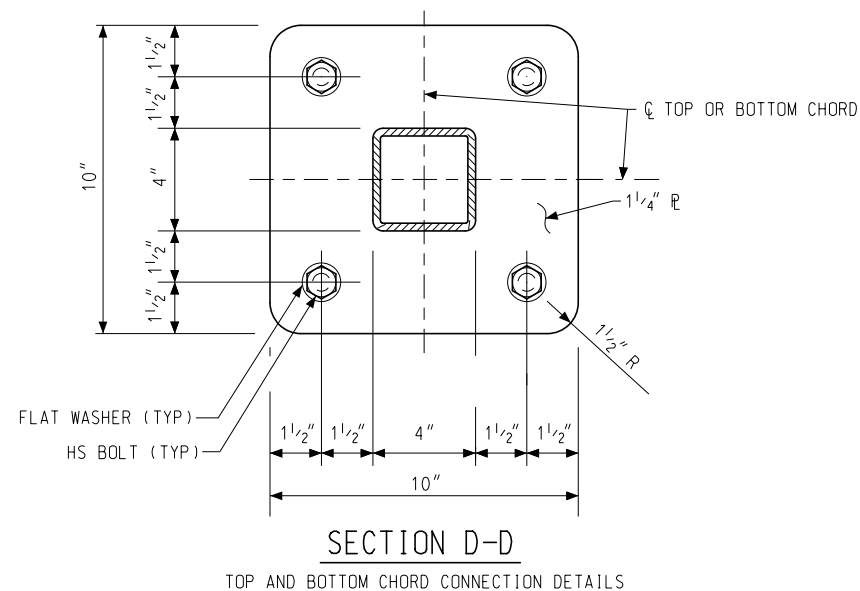
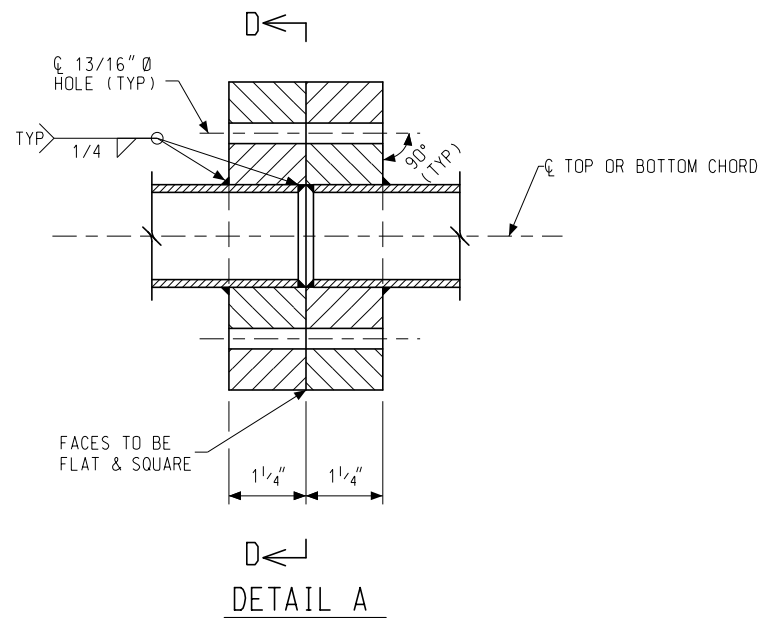
SECTION C-C

NOT TO SCALE
MICHIGAN DEPARTMENT OF TRANSPORTATION
DIRECTOR, BUREAU OF DEVELOPMENT
(SPECIAL DETAIL)
F.H.W.A. APPROVAL
PLAN DATE
SIGN-540-B
SHEET 4 OF 14

AS-LET PLAN REVISIONS							
NO.	DATE	AUTH	DESCRIPTION	NO.	DATE	AUTH	DESCRIPTION



DATE:	CS:	DRAWING	SHEET
DESIGN UNIT:	JN:		SECT
TSC:			



NOT TO SCALE

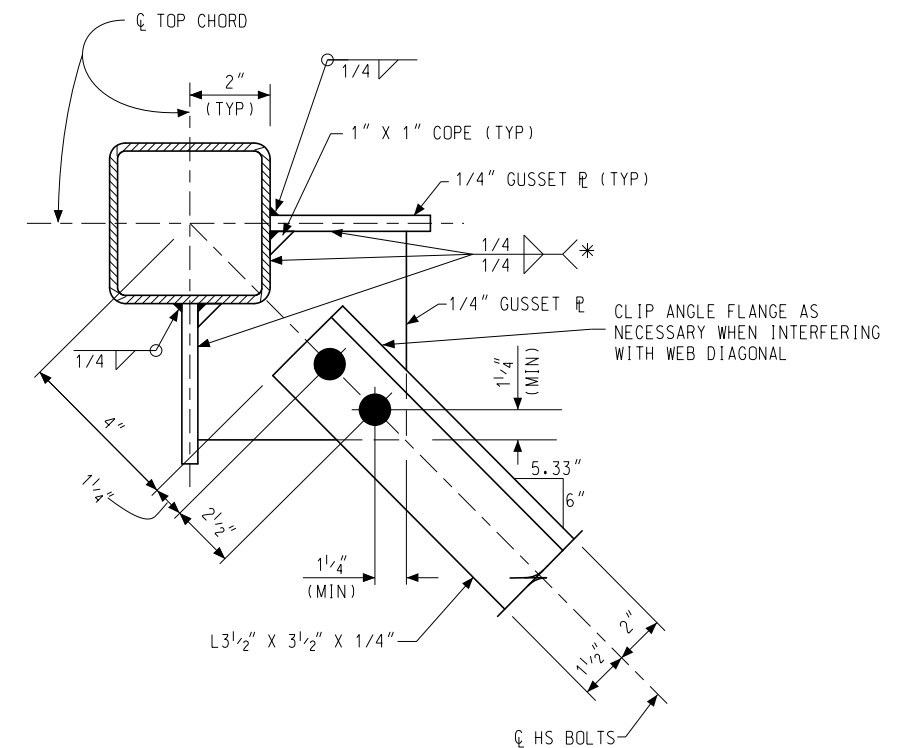
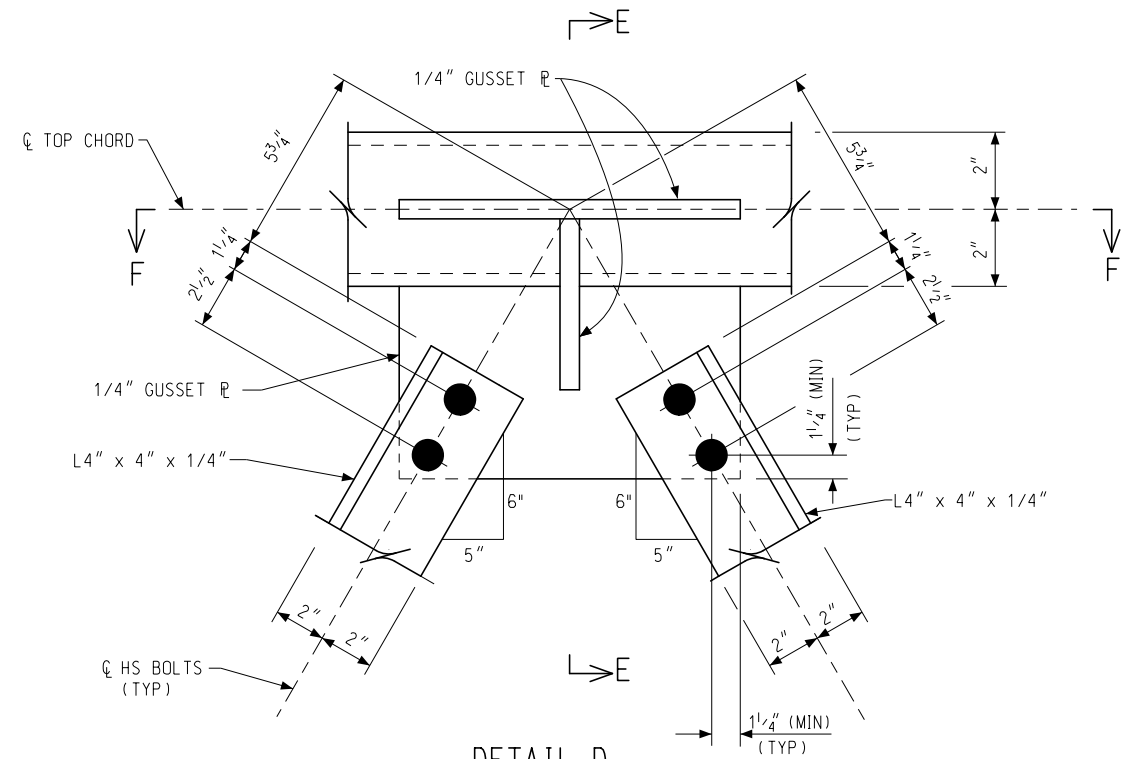
MICHIGAN DEPARTMENT OF TRANSPORTATION
DIRECTOR, BUREAU OF DEVELOPMENT

(SPECIAL DETAIL)
F.H.W.A. APPROVAL

PLAN DATE

SIGN-540-B

SHEET
5 OF 14



* WRAP WELD AROUND ENDS AND STOP 1/4" SHORT OF CLIP.

NOT TO SCALE

MICHIGAN DEPARTMENT OF TRANSPORTATION
DIRECTOR, BUREAU OF DEVELOPMENT

(SPECIAL DETAIL)
F.H.W.A. APPROVAL

PLAN DATE

SIGN-540-B

SHEET
6 OF 14

AS-LET PLAN REVISIONS

NO.	DATE	AUTH	DESCRIPTION	NO.	DATE	AUTH	DESCRIPTION

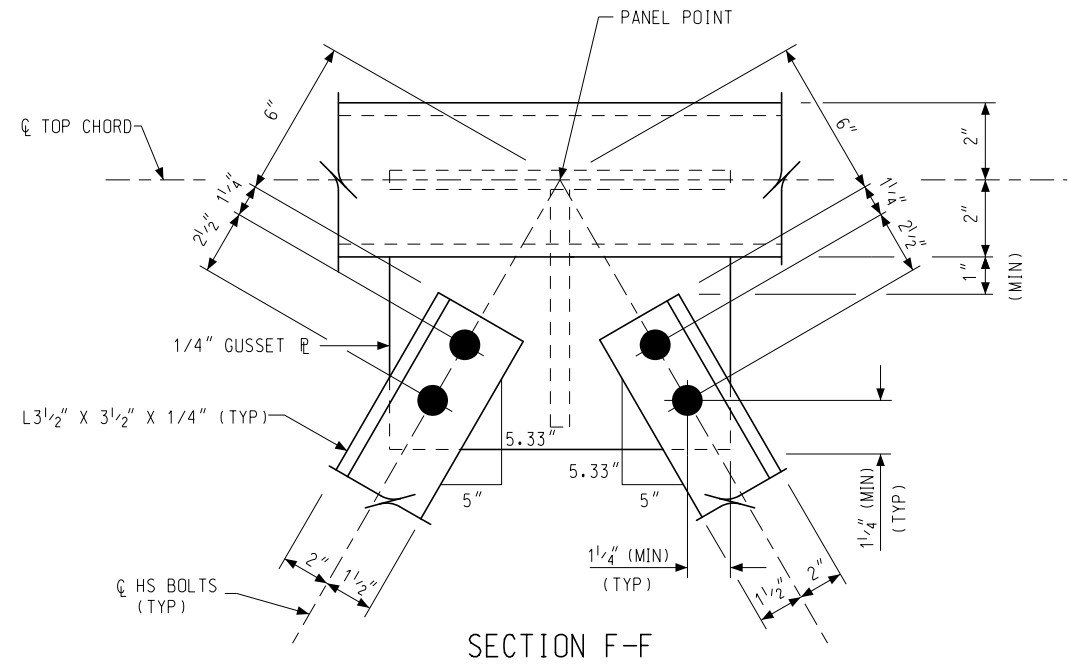


FILE:

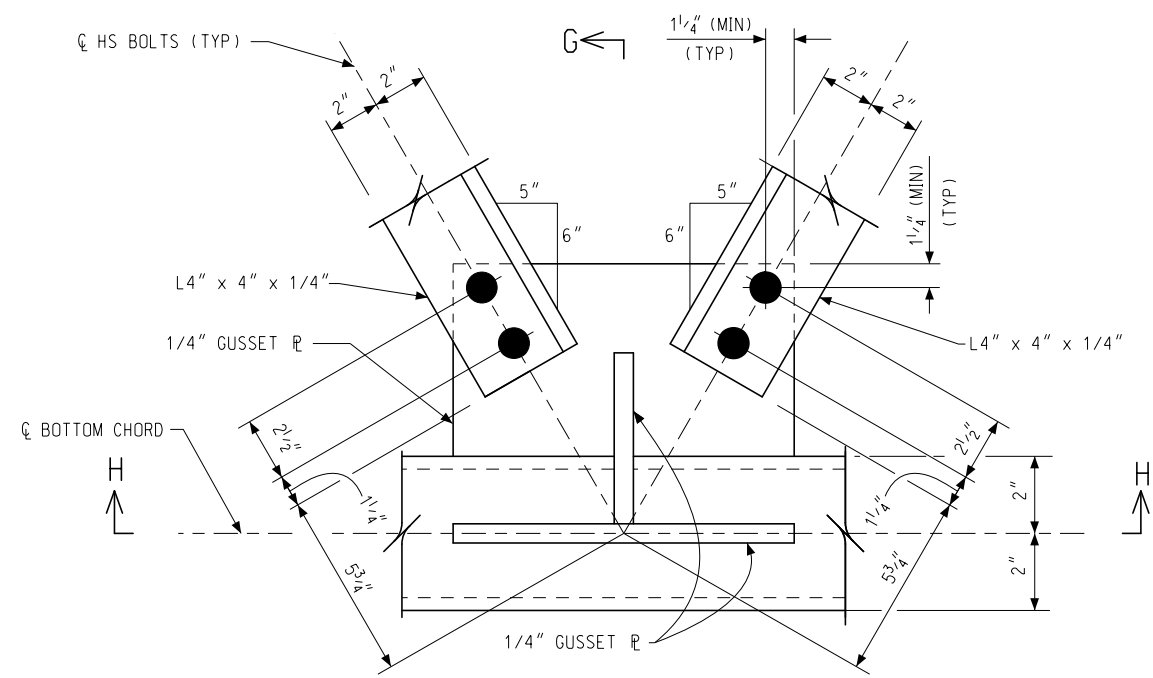
DATE:
DESIGN UNIT:
TSC:

CS:
JN:

DRAWING SHEET
SECT



SECTION F-F



DETAIL E

BOTTOM CHORD TO DIAGONAL CONNECTION DETAIL

NOT TO SCALE

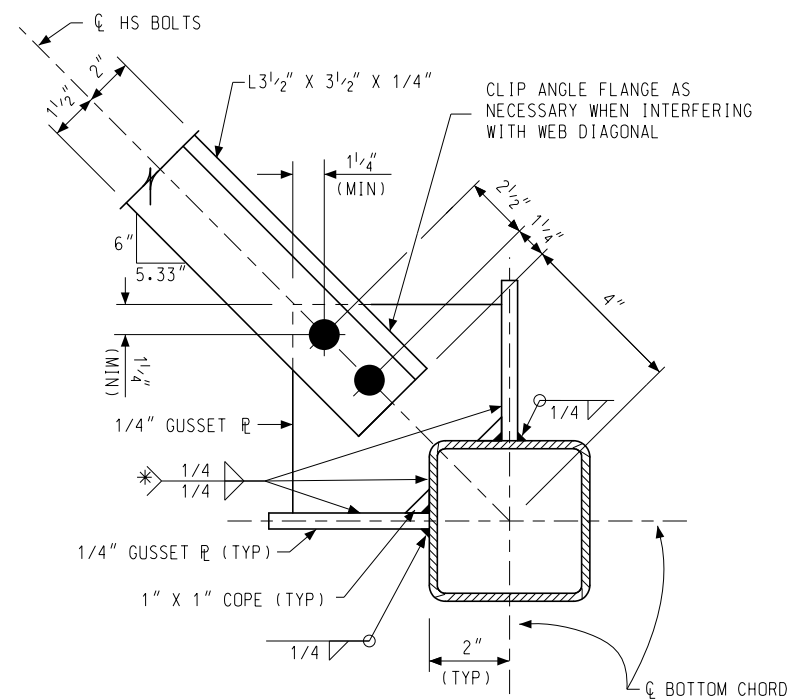
MICHIGAN DEPARTMENT OF TRANSPORTATION
DIRECTOR, BUREAU OF DEVELOPMENT

(SPECIAL DETAIL)
F.H.W.A. APPROVAL

PLAN DATE

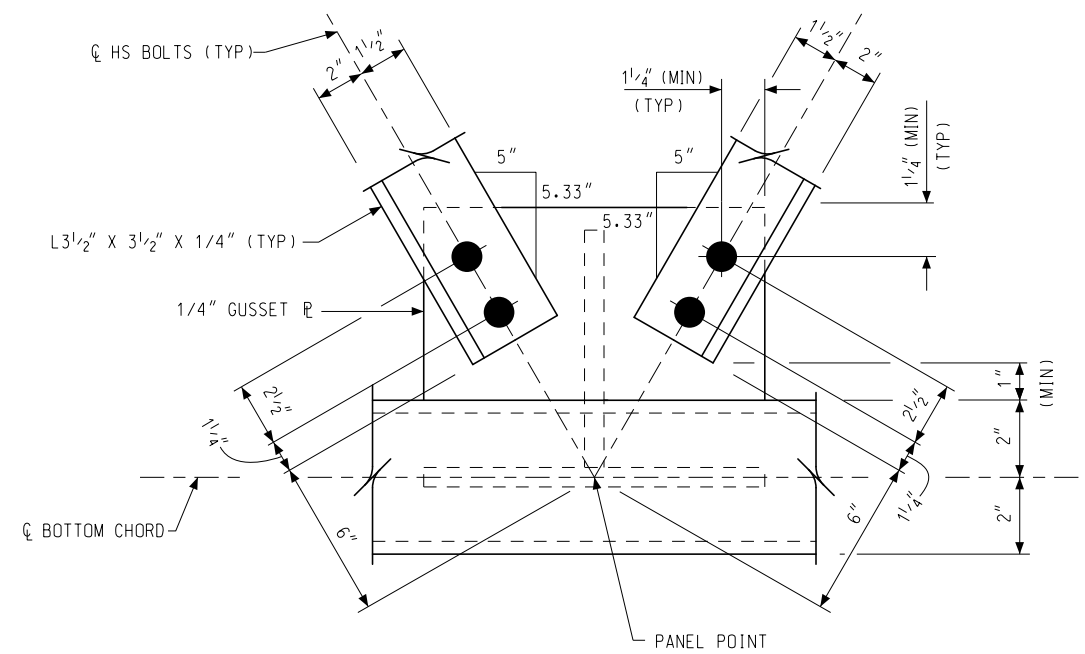
SIGN-540-B

SHEET
7 OF 14



SECTION G-G

* WRAP WELD AROUND ENDS AND STOP 1/4" SHORT OF CLIP.



SECTION H-H

NOT TO SCALE

MICHIGAN DEPARTMENT OF TRANSPORTATION
DIRECTOR, BUREAU OF DEVELOPMENT

(SPECIAL DETAIL)
F.H.W.A. APPROVAL

PLAN DATE

SIGN-540-B

SHEET
8 OF 14

AS-LET PLAN REVISIONS

NO.	DATE	AUTH	DESCRIPTION	NO.	DATE	AUTH	DESCRIPTION

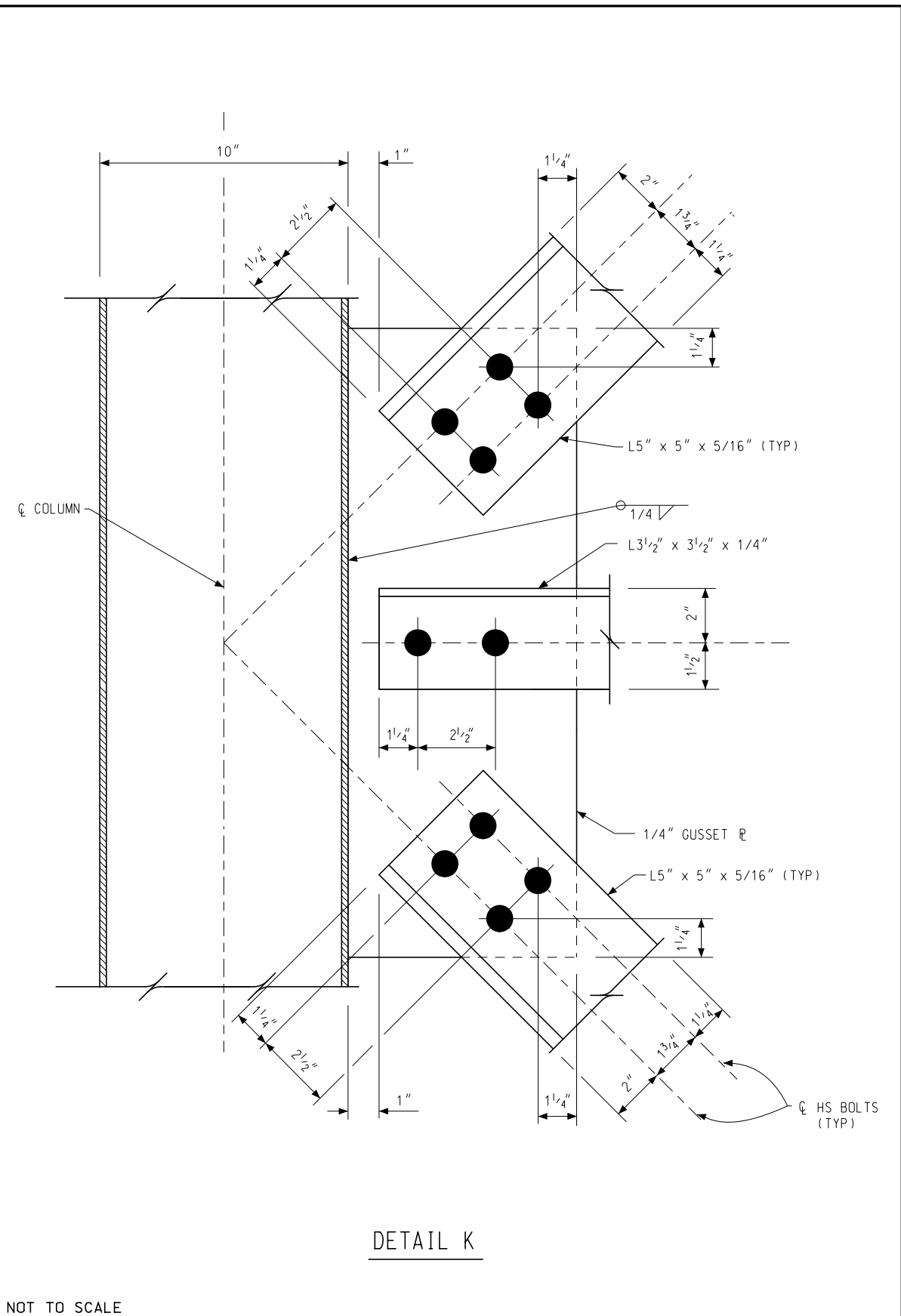


FILE:

DATE:
DESIGN UNIT:
TSC:

CS:
JN:

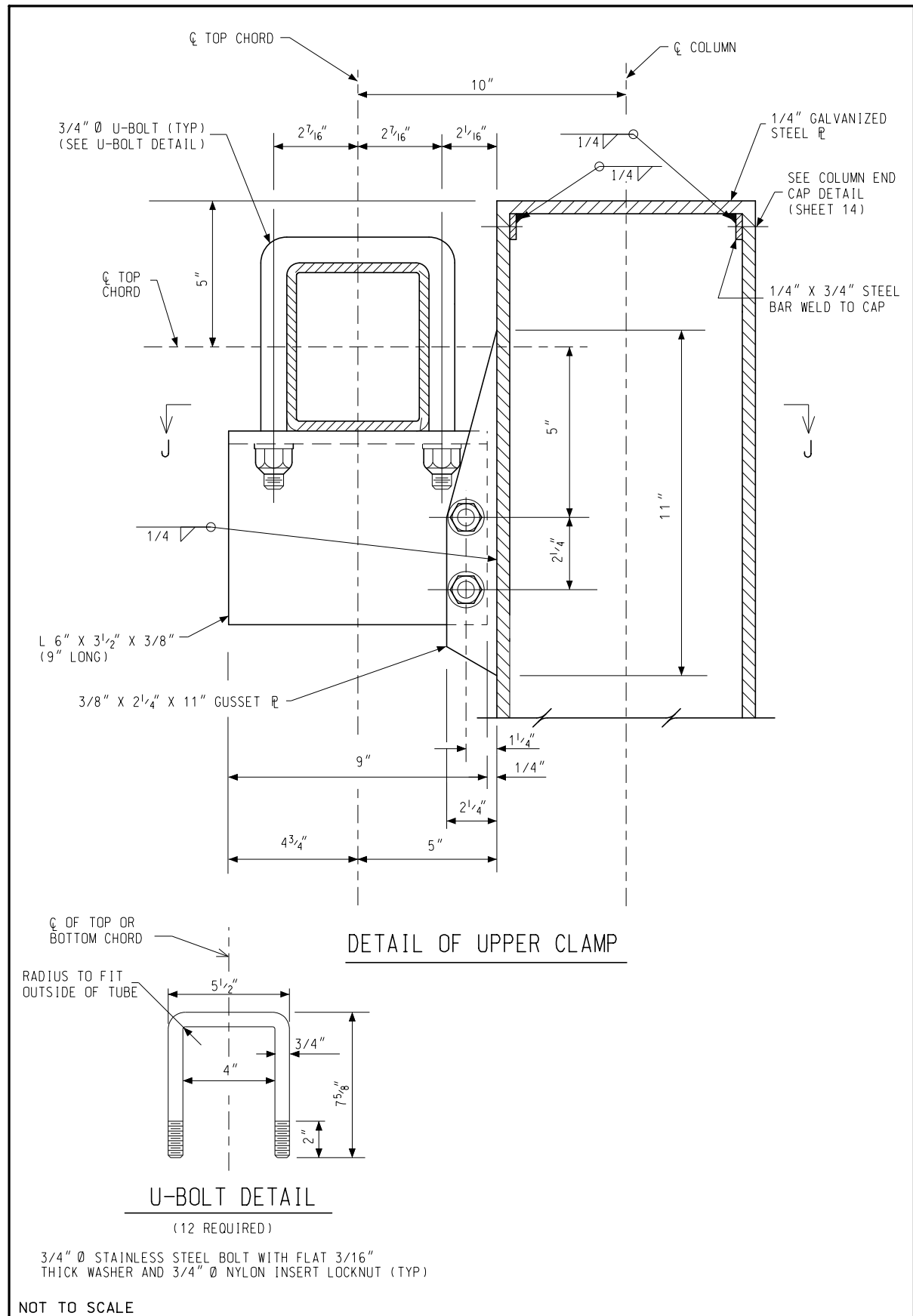
DRAWING SHEET
SECT



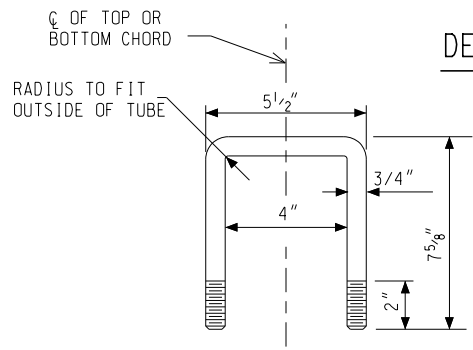
DETAIL K

NOT TO SCALE

MICHIGAN DEPARTMENT OF TRANSPORTATION DIRECTOR, BUREAU OF DEVELOPMENT				(SPECIAL DETAIL) F.H.W.A. APPROVAL	PLAN DATE	SIGN-540-B	SHEET 9 OF 14
--	--	--	--	---------------------------------------	-----------	------------	------------------



DETAIL OF UPPER CLAMP



U-BOLT DETAIL

(12 REQUIRED)

3/4" Ø STAINLESS STEEL BOLT WITH FLAT 3/16" THICK WASHER AND 3/4" Ø NYLON INSERT LOCKNUT (TYP)

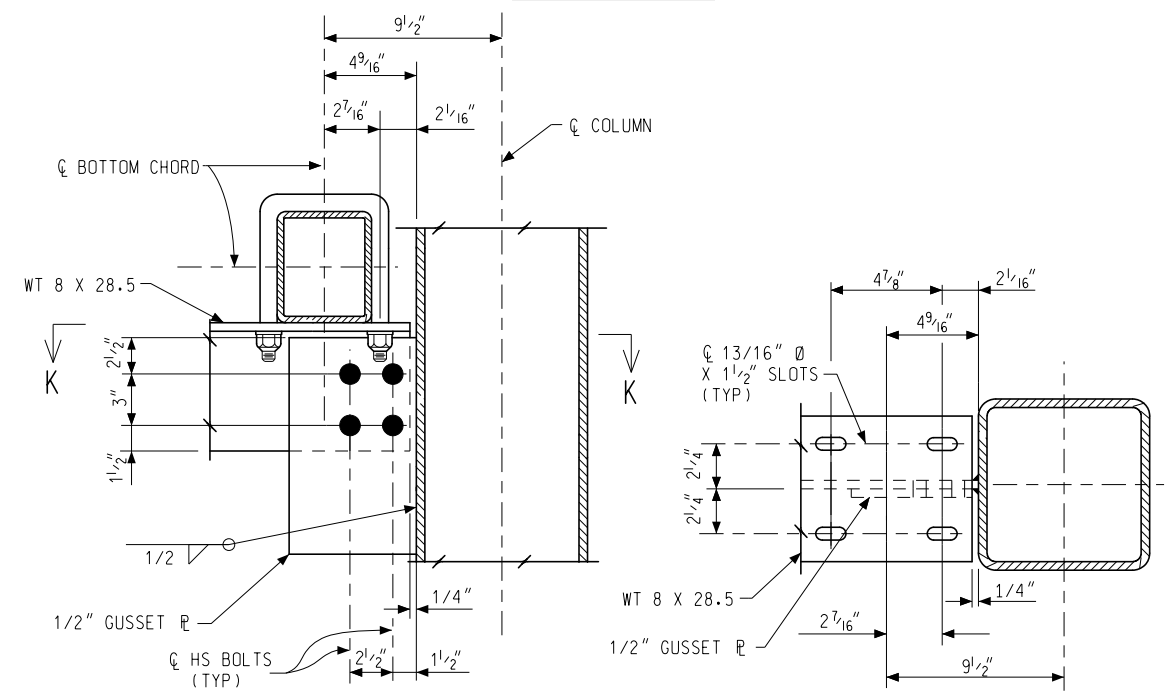
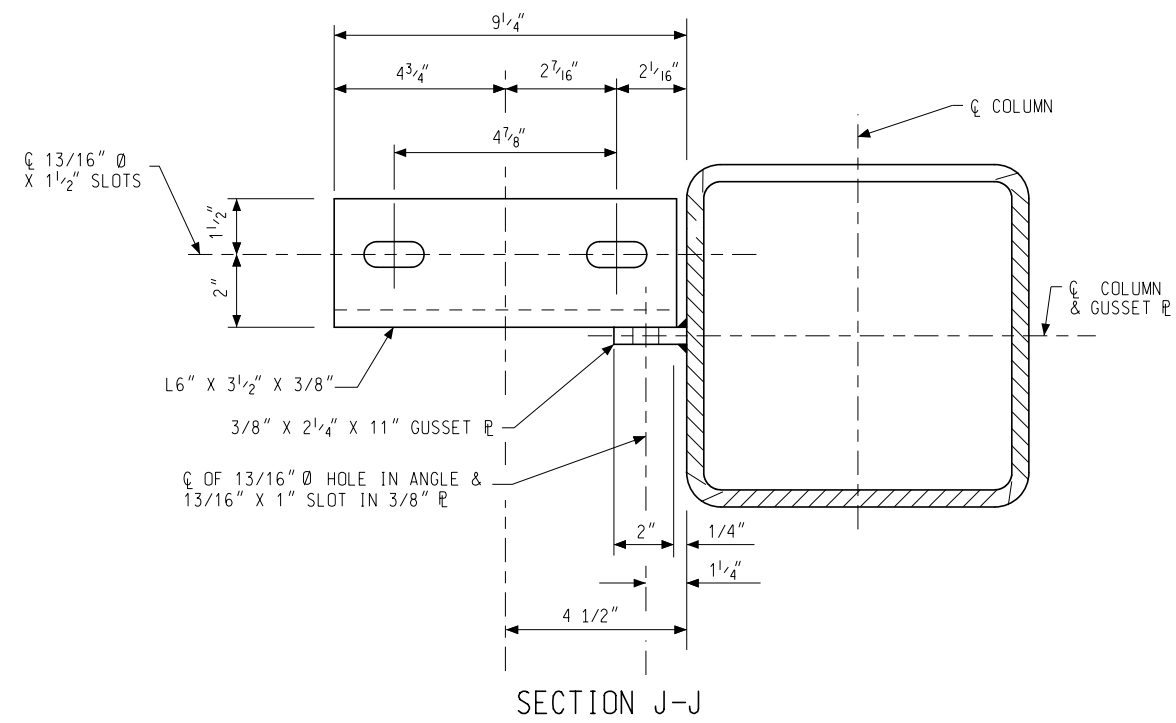
NOT TO SCALE

MICHIGAN DEPARTMENT OF TRANSPORTATION DIRECTOR, BUREAU OF DEVELOPMENT				(SPECIAL DETAIL) F.H.W.A. APPROVAL	PLAN DATE	SIGN-540-B	SHEET 10 OF 14
--	--	--	--	---------------------------------------	-----------	------------	-------------------

AS-LET PLAN REVISIONS							
NO.	DATE	AUTH	DESCRIPTION	NO.	DATE	AUTH	DESCRIPTION



DATE:	CS:	DRAWING	SHEET
DESIGN UNIT:	JN:		
TSC:			
FILE:			



SECTION J-J

SECTION K-K

SEAT DETAIL
DIAGONAL NOT SHOWN FOR CLARITY

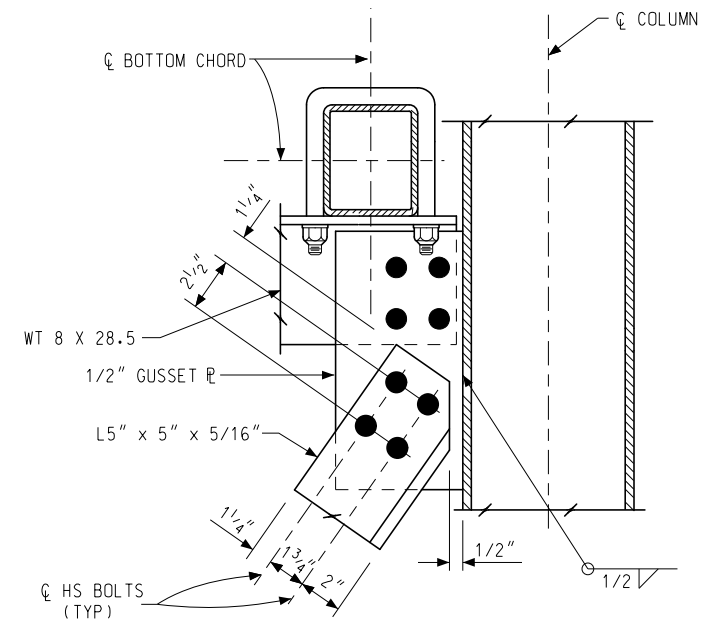
NOT TO SCALE

MICHIGAN DEPARTMENT OF TRANSPORTATION
DIRECTOR, BUREAU OF DEVELOPMENT

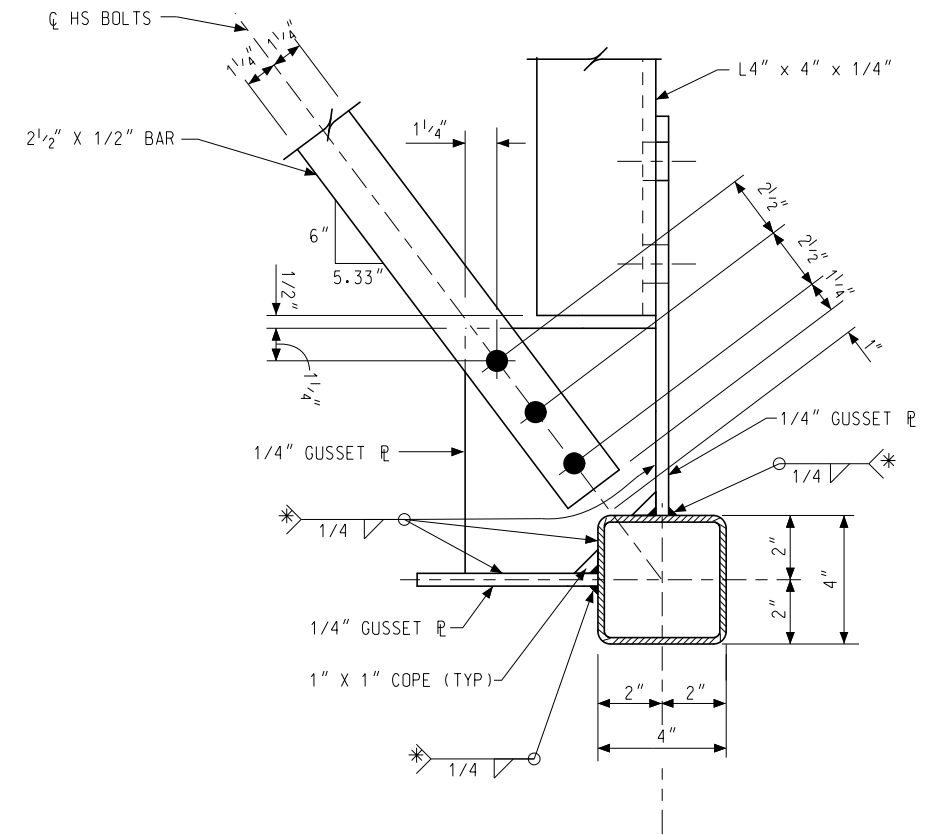
(SPECIAL DETAIL)
F.H.W.A. APPROVAL

PLAN DATE

SIGN-540-B SHEET 11 OF 14



SEAT DETAIL
DIMENSIONS FOR DIAGONAL ANGLE



DETAIL M

* WRAP WELD AROUND ENDS AND STOP 1/4" SHORT OF CLIP.

NOT TO SCALE

MICHIGAN DEPARTMENT OF TRANSPORTATION
DIRECTOR, BUREAU OF DEVELOPMENT

(SPECIAL DETAIL)
F.H.W.A. APPROVAL

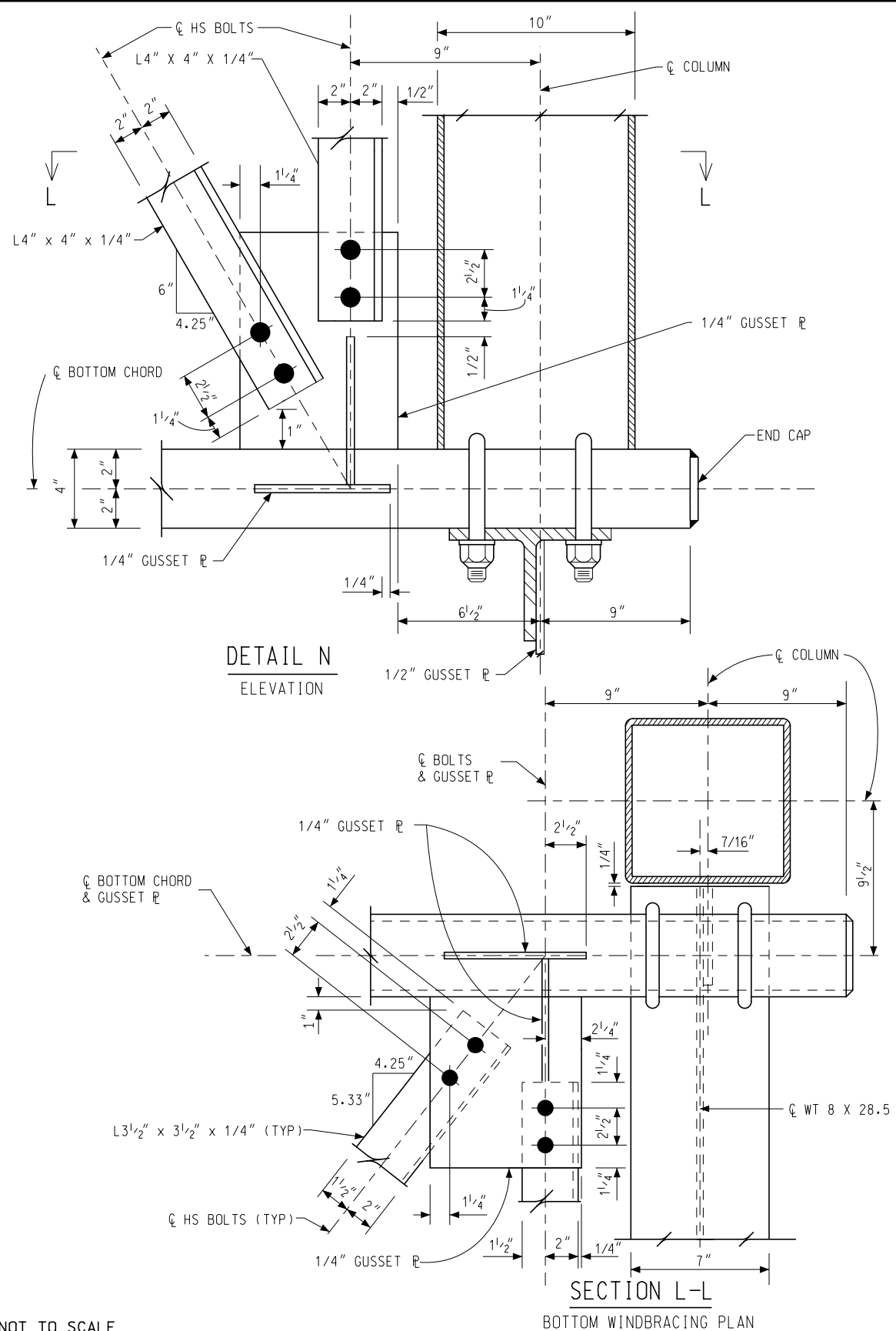
PLAN DATE

SIGN-540-B SHEET 12 OF 14

AS-LET PLAN REVISIONS							
NO.	DATE	AUTH	DESCRIPTION	NO.	DATE	AUTH	DESCRIPTION



DATE:	CS:	DRAWING	SHEET
DESIGN UNIT:	JN:		
TSC:			



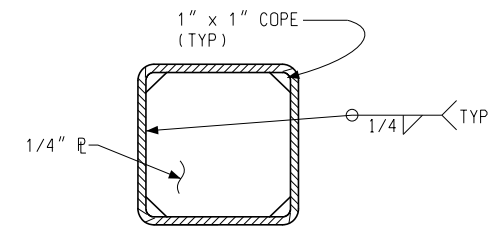
MICHIGAN DEPARTMENT OF TRANSPORTATION
DIRECTOR, BUREAU OF DEVELOPMENT

(SPECIAL DETAIL)
F.H.W.A. APPROVAL

PLAN DATE

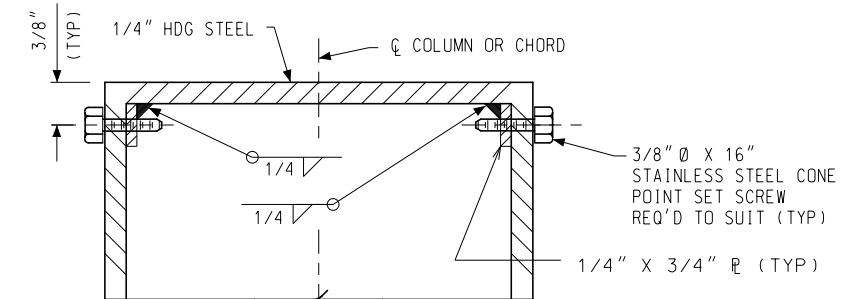
SIGN-540-B

SHEET
13 OF 14



END CAP DETAIL

SEAL END OF CHORD WITH 1/4" R (WELD BEFORE GALVANIZING) (TYP)
OPTIONAL: CAP WITH SET SCREWS MAY BE USED AS END CAP (SEE COLUMN END CAP DETAILS)



COLUMN CAP DETAIL

NOT TO SCALE

MICHIGAN DEPARTMENT OF TRANSPORTATION
DIRECTOR, BUREAU OF DEVELOPMENT

(SPECIAL DETAIL)
F.H.W.A. APPROVAL

PLAN DATE

SIGN-540-B

SHEET
14 OF 14

AS-LET PLAN REVISIONS							
NO.	DATE	AUTH	DESCRIPTION	NO.	DATE	AUTH	DESCRIPTION



DATE:	CS:	DRAWING	SHEET
DESIGN UNIT:	JN:		SECT
TSC:			
FILE:			