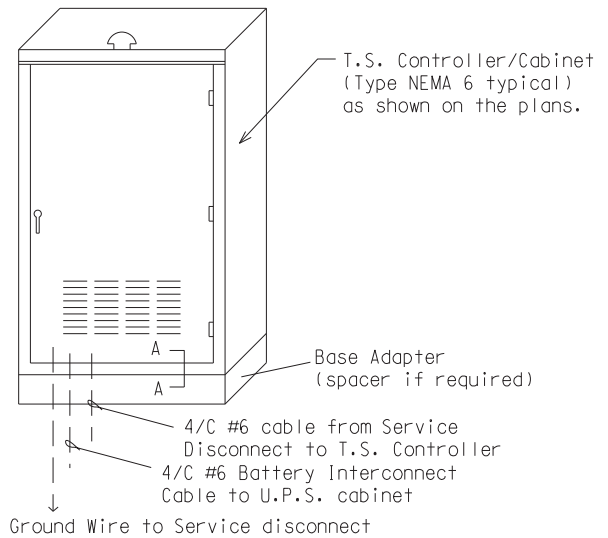
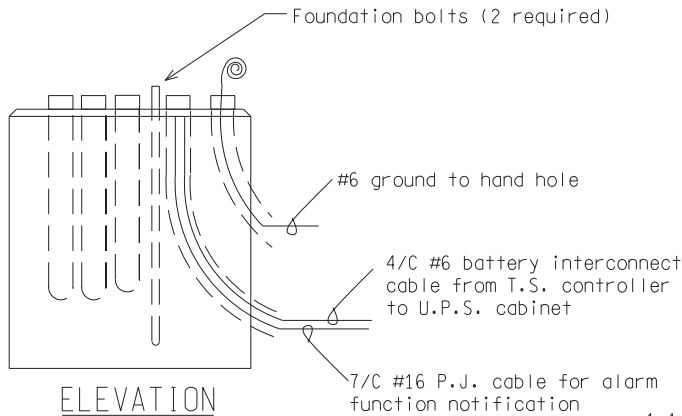


U.P.S. CABINET BASE MOUNTED



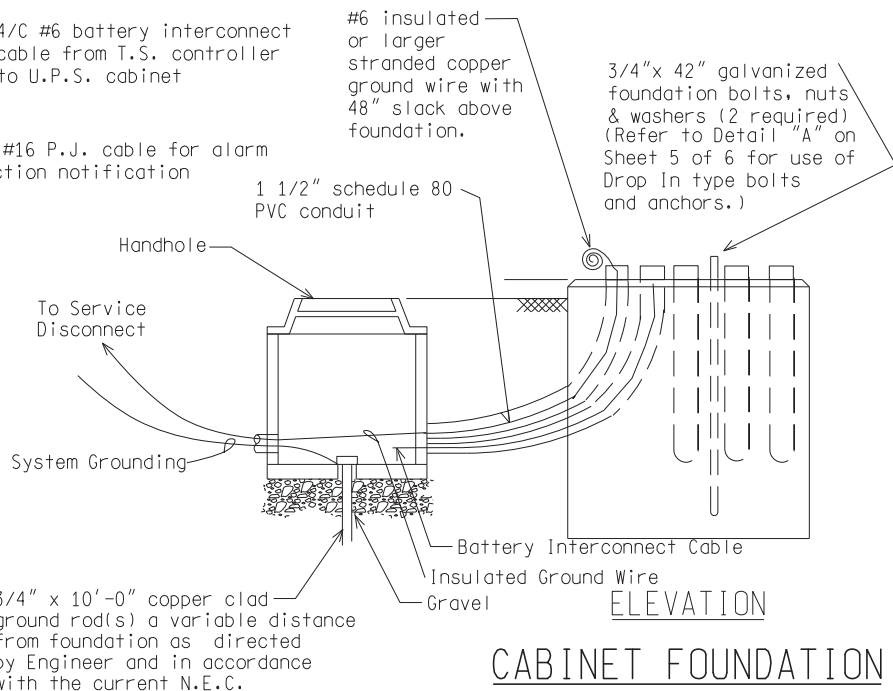
TRAFFIC SIGNAL CONTROLLER/CABINET BASE MOUNTED



CABINET FOUNDATION

NOTE:

1. Refer to SIG-011-A for Controller Cabinet Mounting on Steel or Wood Pole
2. Refer to SIG-045-A for T.S. Base Mounted Controller Cabinet foundations.
3. Refer to SIG-153-A for strain pole foundation details.



CABINET FOUNDATION

NOT TO SCALE

File: RefDoc/TR/Signals/Web/Sp Det/Fin/SIG140A.dgn Rev: 02/16/17



PREPARED BY
TRAFFIC AND SAFETY

DRAWN BY:

CHECKED BY:

ENGINEER OF DELIVERY

ENGINEER OF DEVELOPMENT

(SPECIAL DETAIL)

FHWA APPROVAL DATE

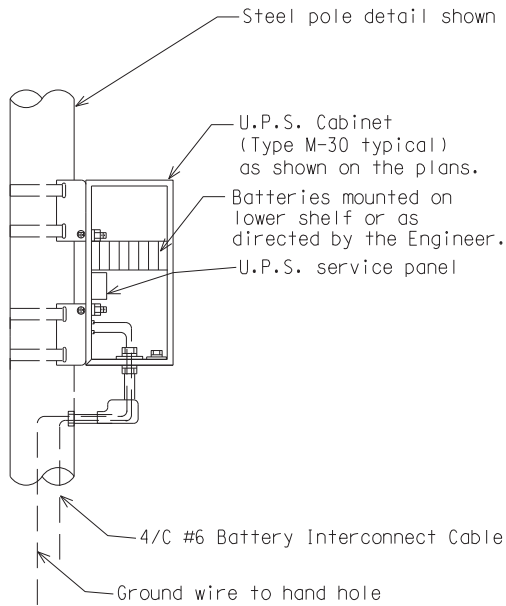
MICHIGAN DEPARTMENT OF TRANSPORTATION
BUREAU OF HIGHWAYS DELIVERY STANDARD PLAN FOR

TRAFFIC SIGNAL
UNINTERRUPTIBLE POWER SYSTEM

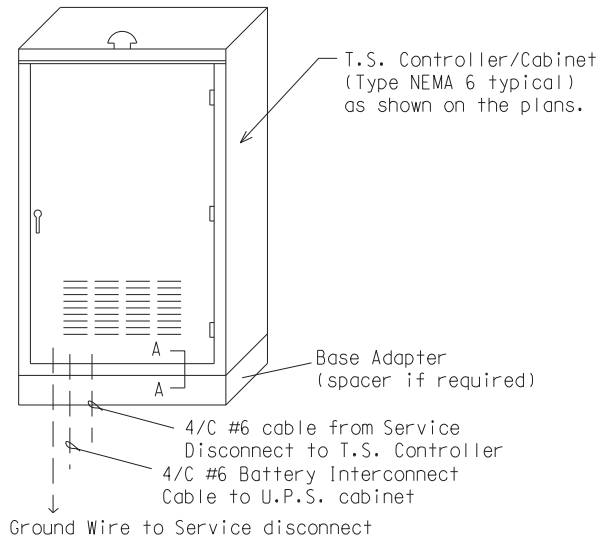
PLAN DATE

SIG-140-A

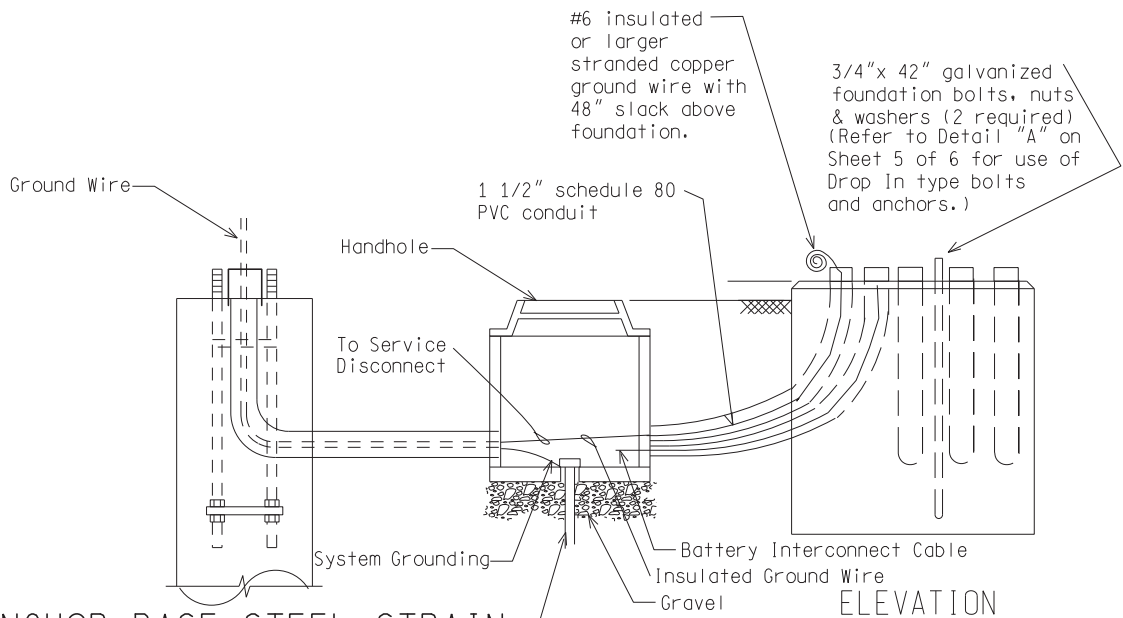
SHEET
1 of 2



U.P.S. CABINET
POLE MOUNTED



TRAFFIC SIGNAL CONTROLLER/
CABINET BASE MOUNTED



ANCHOR BASE STEEL STRAIN
POLE FOUNDATION

CABINET FOUNDATION

3/4" x 10'-0" copper clad ground rod(s) a variable distance from foundation as directed by Engineer and in accordance with the current N.E.C.

NOT TO SCALE

MICHIGAN DEPARTMENT OF TRANSPORTATION
BUREAU OF HIGHWAYS DELIVERY STANDARD PLAN

(SPECIAL DETAIL)
FHWA APPROVAL DATE

PLAN DATE

SIG-140-A

SHEET
2 of 2