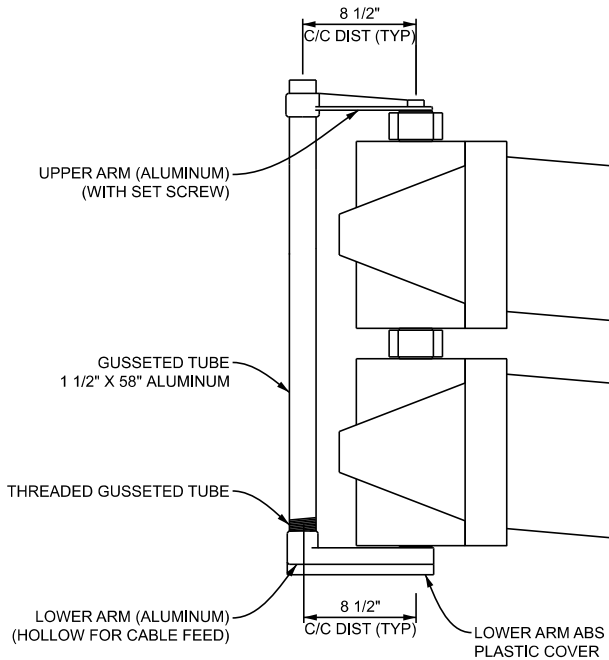



ISOMETRIC VIEW

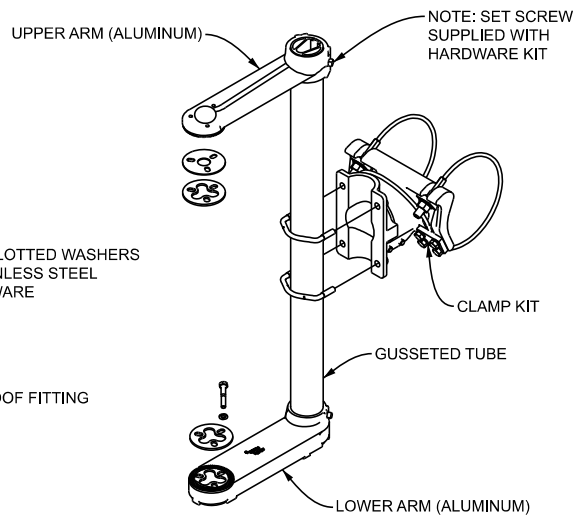
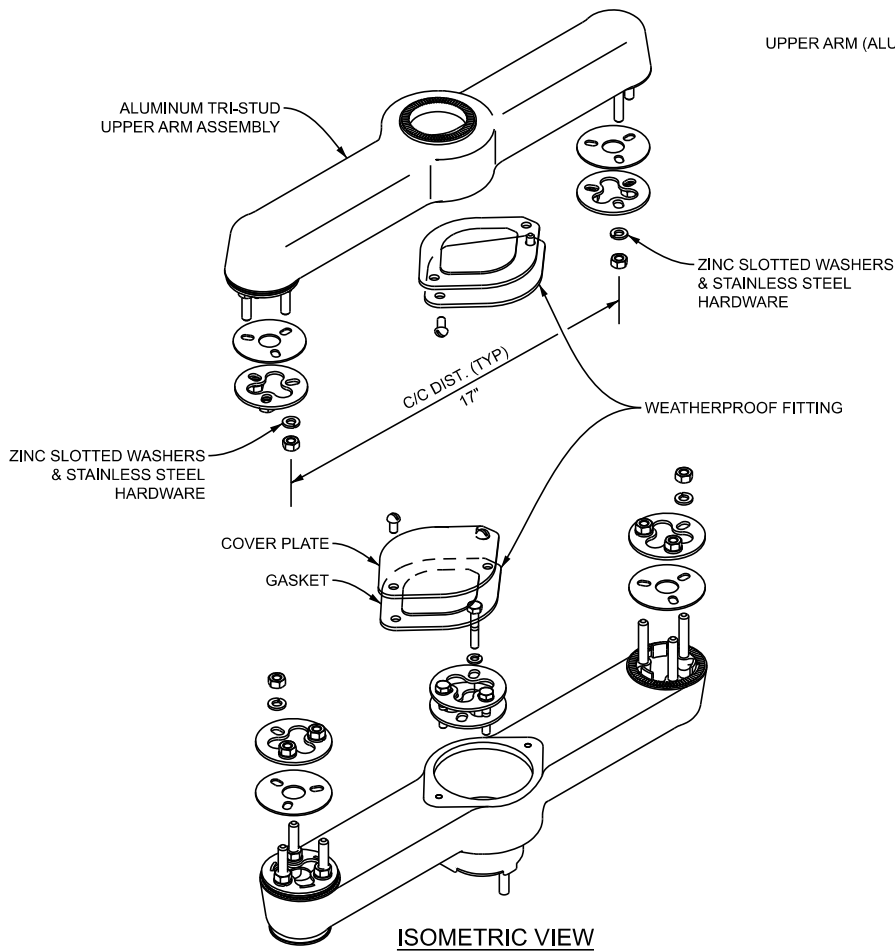
SPAN WIRE DISPLAY



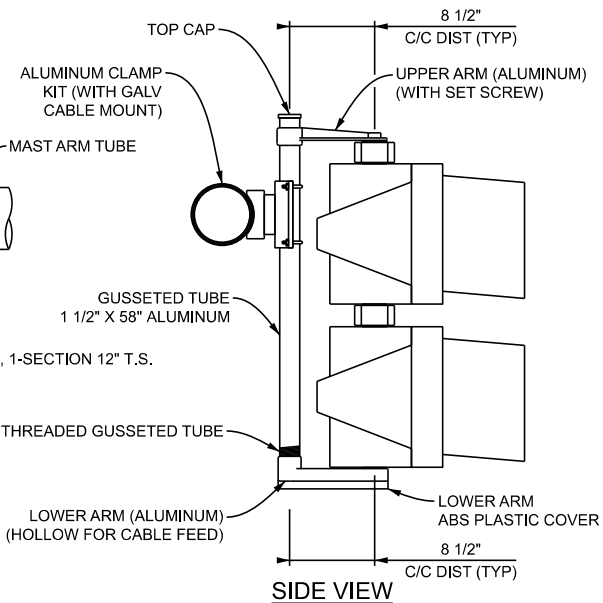
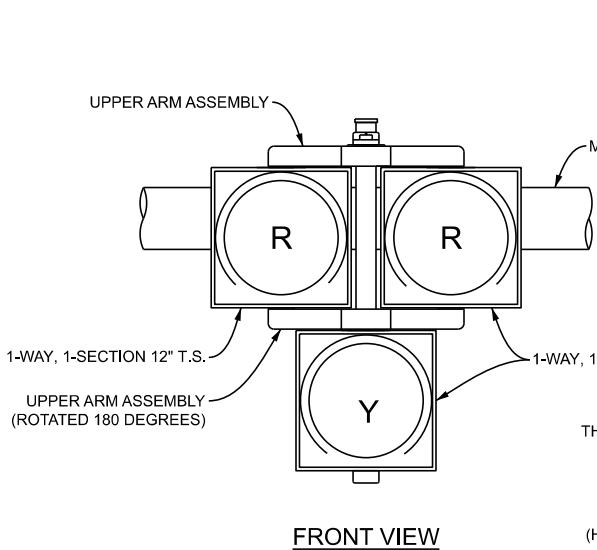
SIDE VIEW

A HIGH INTENSITY ACTUATED CROSSWALK BEACON
 DETAIL - (TO STOP TRAFFIC FOR PEDESTRIAN CROSSING LOCATIONS)
 N.T.S.

APPROVED BY: _____ DIRECTOR, BUREAU OF FIELD SERVICES	 DEPARTMENT DIRECTOR BRADLEY C. WIEFERICH, PE	STANDARD PLAN FOR BRACKETING FOR HAWK SIGNAL DISPLAY		
APPROVED BY: _____ DIRECTOR, BUREAU OF DEVELOPMENT		(SPECIAL DETAIL) FHWA APPROVAL	02/21/2024 PLAN DATE	SIG-303-A SHEET 1 OF 2



ISOMETRIC VIEW



B **DETAIL - MAST ARM DISPLAY**
N.T.S.

<p>DEPARTMENT DIRECTOR BRADLEY C. WIEFERICH, PE</p>	<p>STANDARD PLAN FOR BRACKETING FOR HAWK SIGNAL DISPLAY</p>		<p>SIG-303-A</p>	<p>SHEET 2 OF 2</p>
	<p>(SPECIAL DETAIL) FHWA APPROVAL</p>	<p>02/21/2024 PLAN DATE</p>		