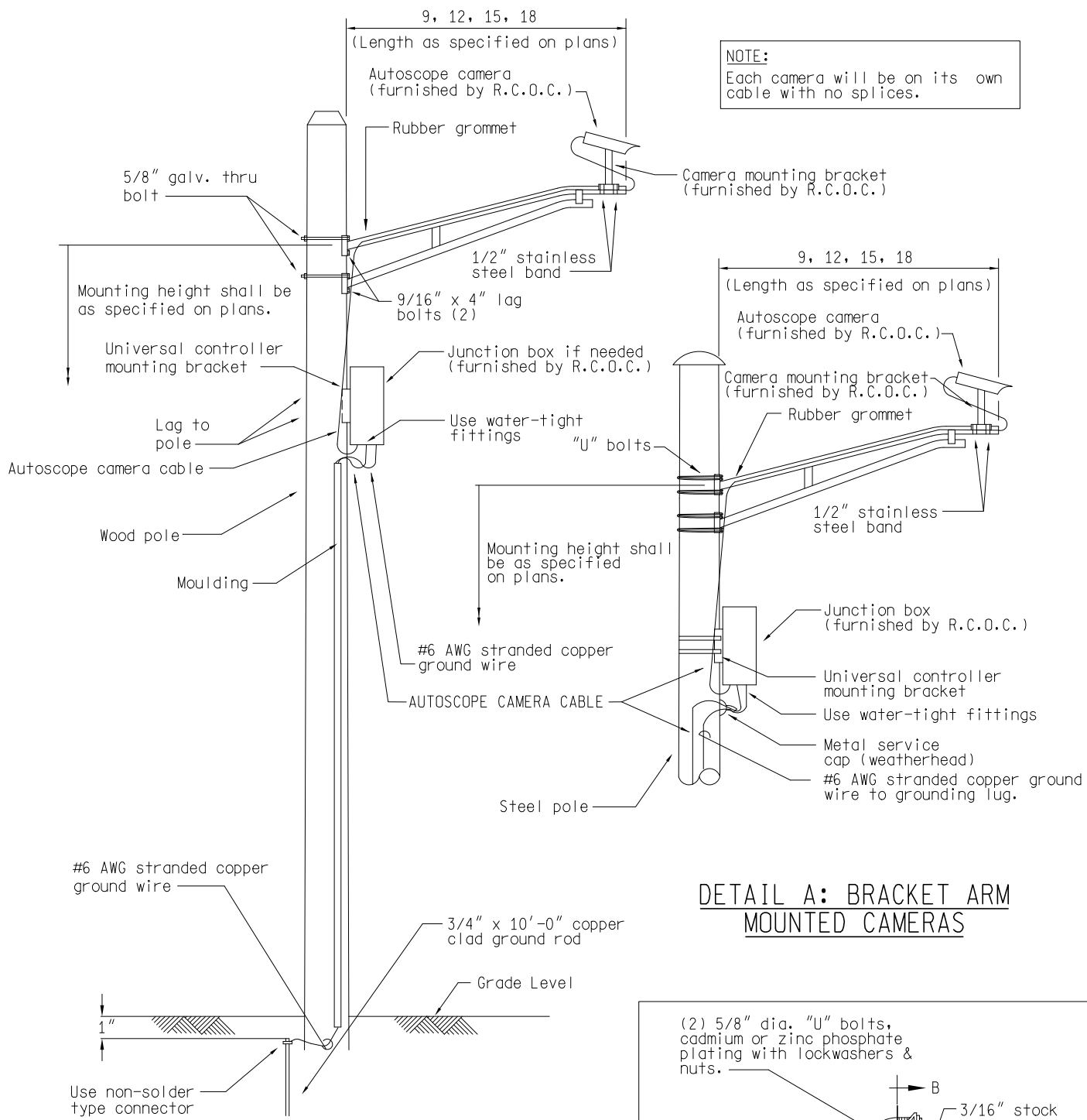
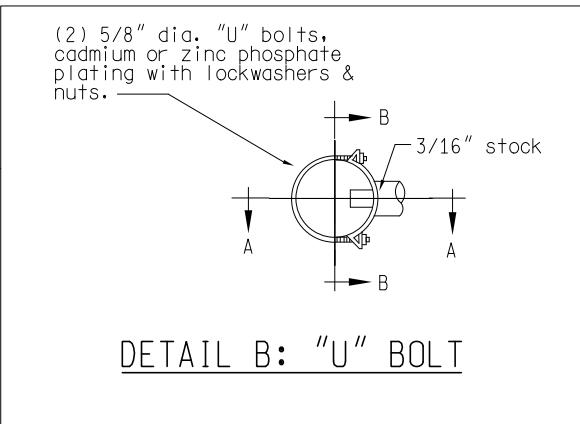


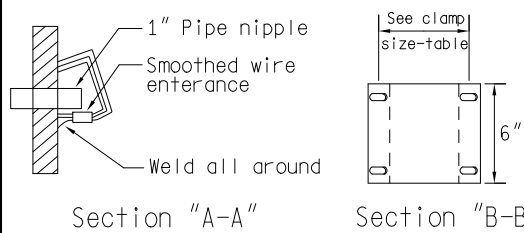
NOTE:
Each camera will be on its own cable with no splices.



DETAIL A: BRACKET ARM MOUNTED CAMERAS



DETAIL B: "U" BOLT



Clamp Size Table

Type	Pole Diameter
A	3.6"-4.5"
B	6.1"-6.9"
C	7.5"-8.5"

DETAIL C: CLAMPS

NOT TO SCALE

File: PW:RD/TR/Signals/Web/Oakland County SD/Final Rev. 09/18/12

MDOT
Michigan Department of Transportation

PREPARED BY
TRAFFIC AND SAFETY

DRAWN BY:
CHECKED BY:

ENGINEER OF DELIVERY

ENGINEER OF DEVELOPMENT

(SPECIAL DETAIL)
FHWA APPROVAL DATE

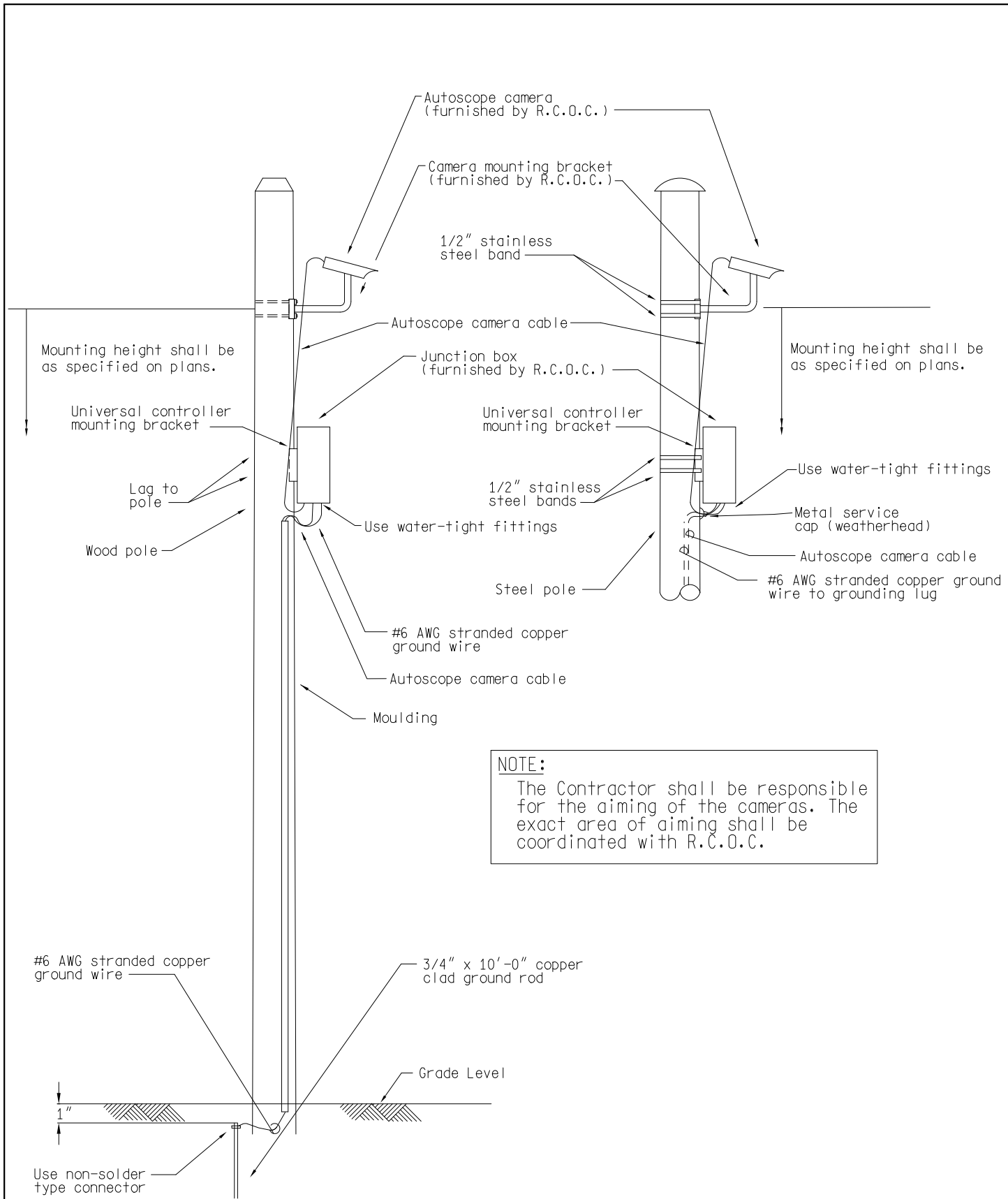
MICHIGAN DEPARTMENT OF TRANSPORTATION
BUREAU OF HIGHWAYS DELIVERY STANDARD PLAN FOR

**AUTOSCOPE CAMERA
INSTALLATION**

APRIL 2010
PLAN DATE

OC-380-A

SHEET
1 of 4



DETAIL D: POLE MOUNTED CAMERAS

NOT TO SCALE

MICHIGAN DEPARTMENT OF TRANSPORTATION
BUREAU OF HIGHWAYS DELIVERY STANDARD PLAN

(SPECIAL DETAIL)
FHWA APPROVAL DATE

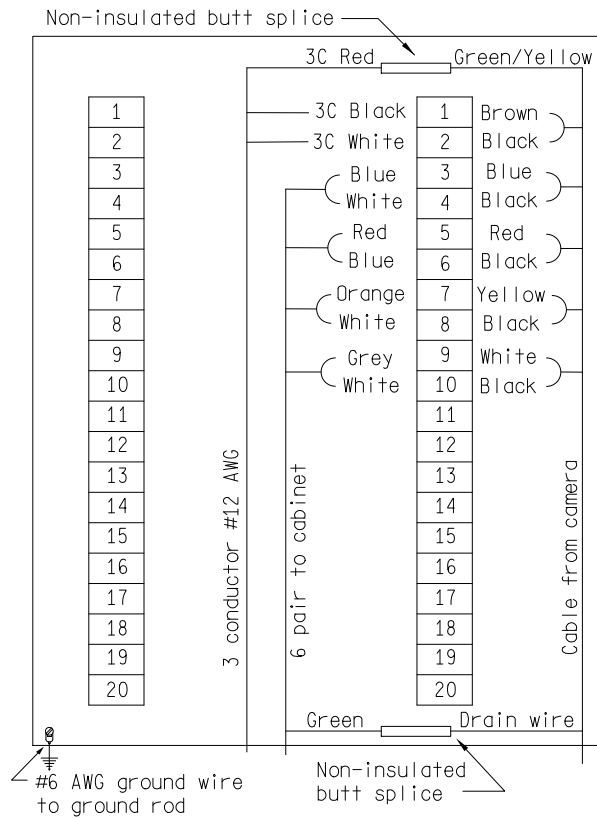
APRIL 2010
PLAN DATE

OC-380-A

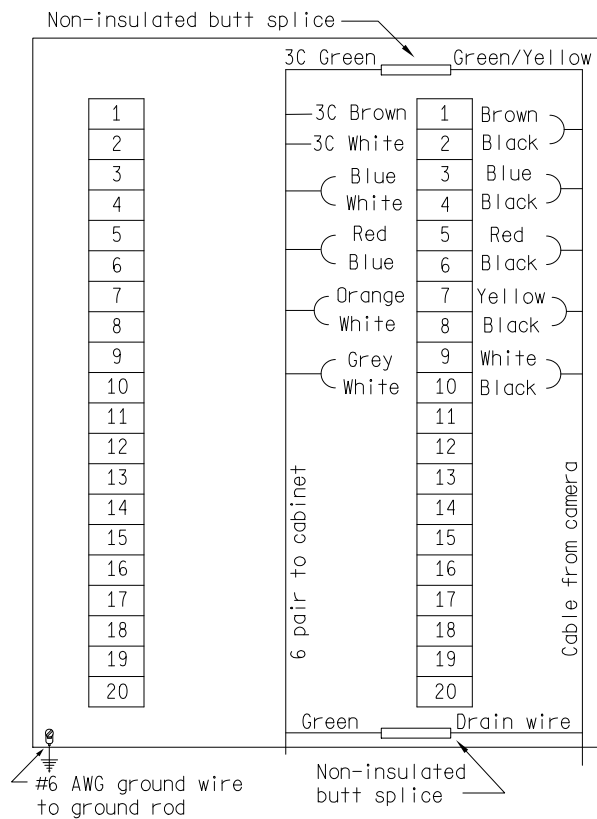
SHEET
2 of 4

File:

Rev. 09/18/12



DETAIL A: AUTOSCOPE SOLO WIRING DIAGRAM FOR LOCATIONS OF MORE THAN 650'



DETAIL B: AUTOSCOPE SOLO WIRING DIAGRAM FOR LOCATIONS OF 650' OR LESS

NOT TO SCALE

MICHIGAN DEPARTMENT OF TRANSPORTATION
BUREAU OF HIGHWAYS DELIVERY STANDARD PLAN

(SPECIAL DETAIL)
FHWA APPROVAL DATE

APRIL 2010
PLAN DATE

OC-380-A

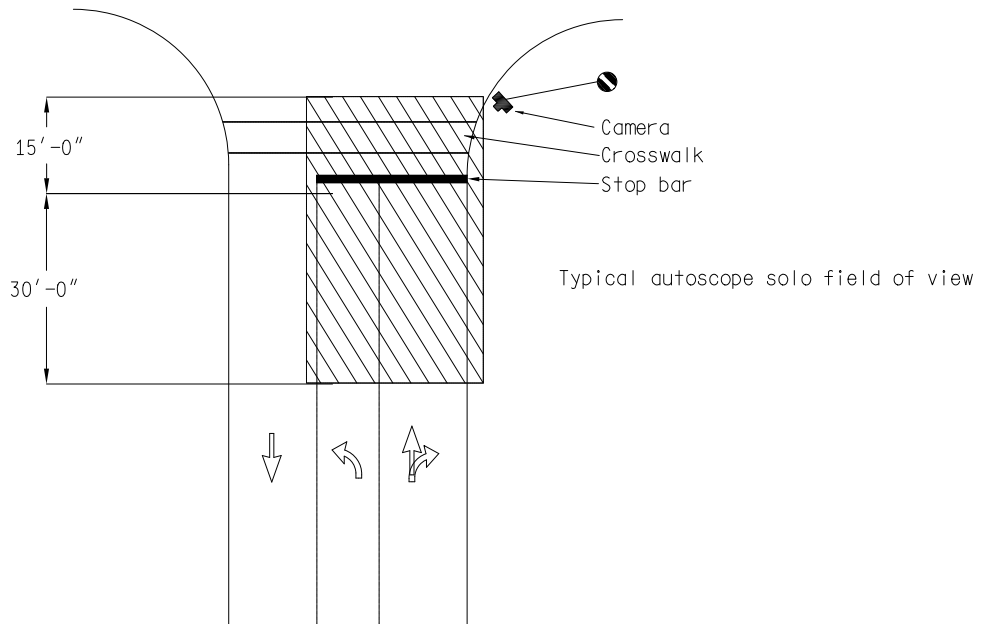
SHEET
3 of 4

File:

Rev. 09/18/12

Wire Color	Signal	Terminal
Brown	24V. PWR	1
White	24V. RTN	2
Green	EARTH GRD	3
Blue	SUP RX+	4
White	SUP RX-	5
Red	SUP TX+	6
Blue	SUP TX-	7
Orange	DET+	8
White	DET-	9
Grey	VIDEO+	10
White	VIDEO-	11

DETAIL C: AUTOSCOPE SOLO COMMUNICATIONS INTERFACE PANEL DIAGRAM



DETAIL D: TYPICAL AUTOSCOPE SOLO FIELD OF VIEW DIAGRAM

NOT TO SCALE

MICHIGAN DEPARTMENT OF TRANSPORTATION
BUREAU OF HIGHWAYS DELIVERY STANDARD PLAN

(SPECIAL DETAIL)
FHWA APPROVAL DATE

APRIL 2010
PLAN DATE

OC-380-A

SHEET
4 of 4

File:

Rev. 09/18/12