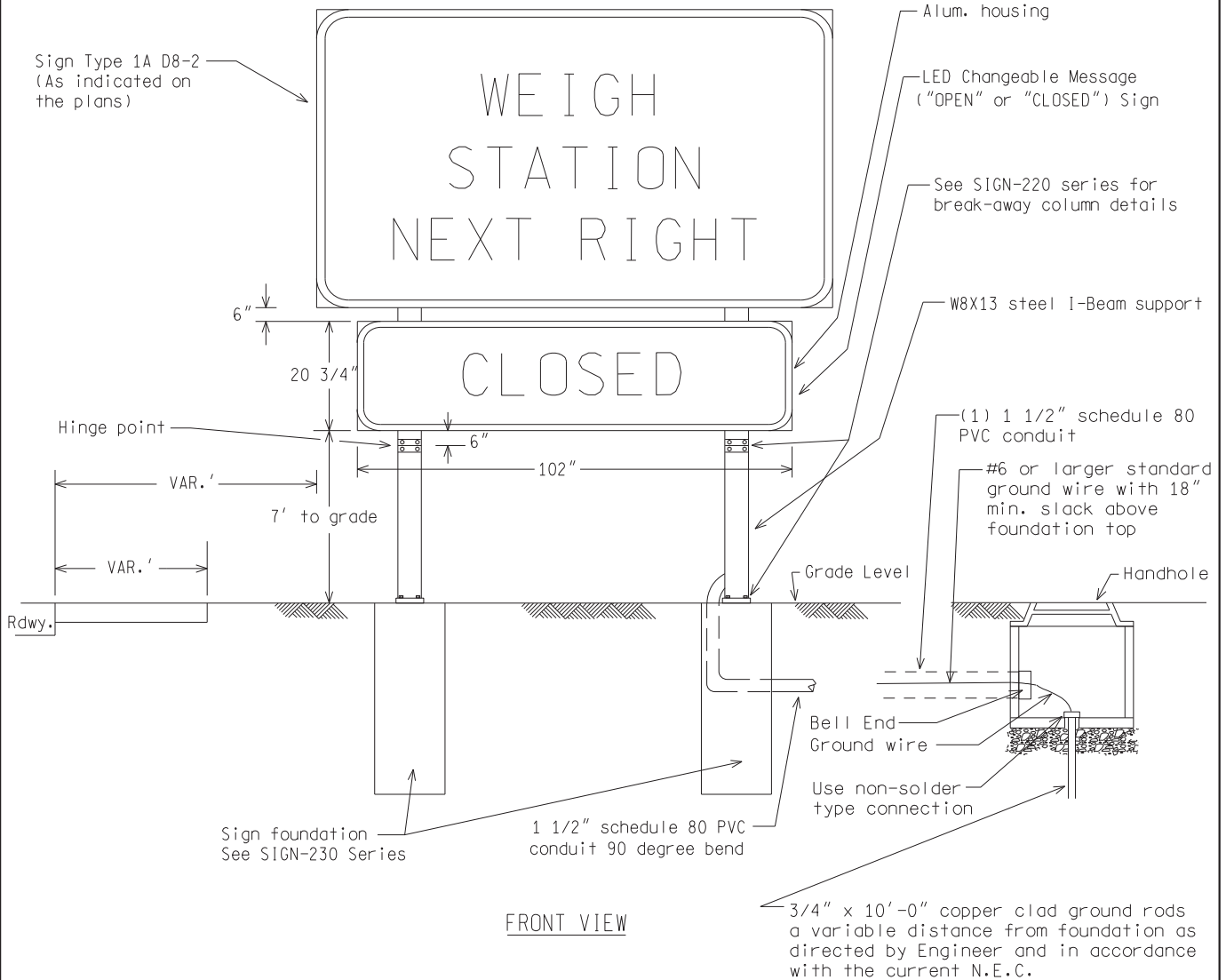


Refer to sign standards
SIGN-700-B

TOP VIEW
STEEL COLUMN BREAKAWAY



FRONT VIEW

NOT TO SCALE

File: RefDoc/TR/Signals/Web/Sp Det/Fin/SIG360A.dgn Rev: 02/16/17



PREPARED BY
TRAFFIC AND SAFETY

DRAWN BY:
CHECKED BY:

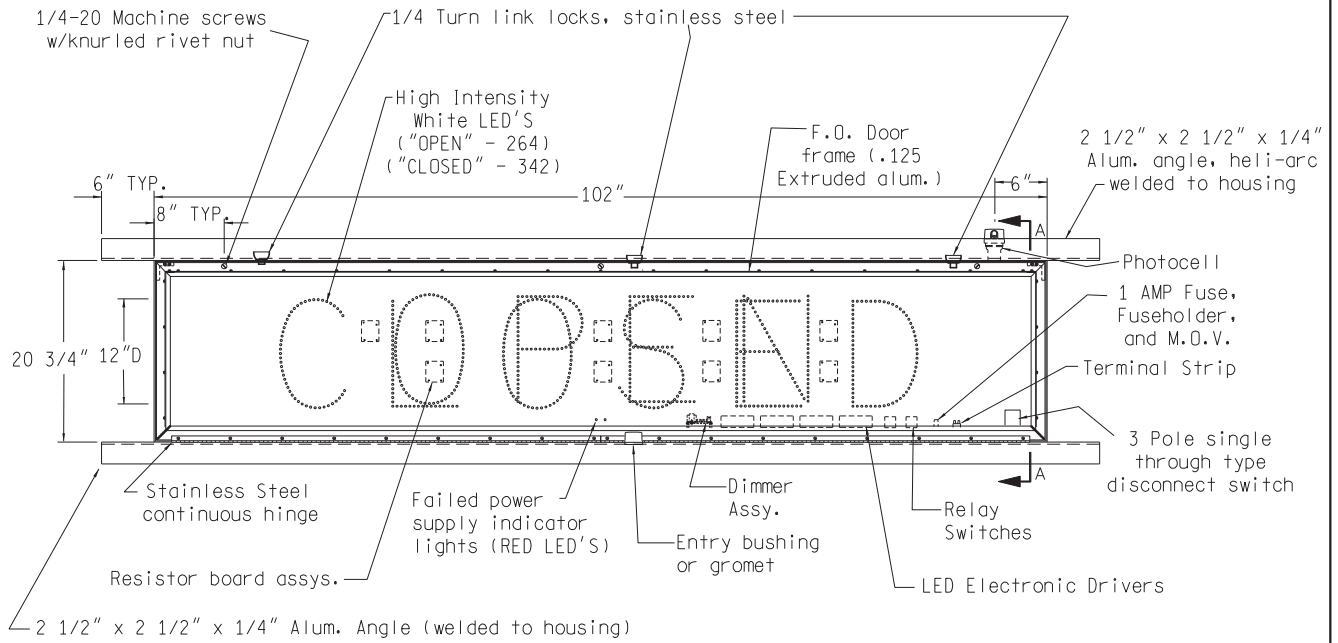
ENGINEER OF DELIVERY

ENGINEER OF DEVELOPMENT

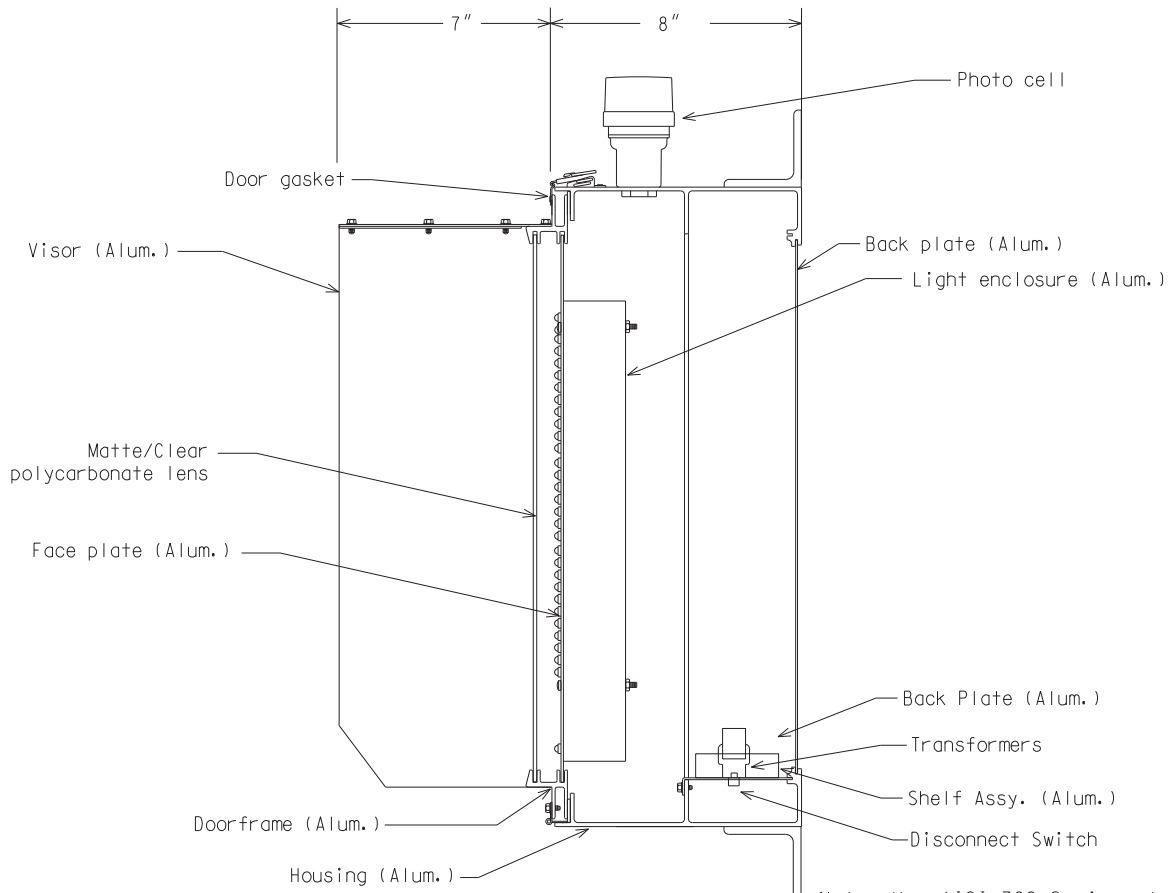
(SPECIAL DETAIL)
FHWA APPROVAL DATE

MICHIGAN DEPARTMENT OF TRANSPORTATION
BUREAU OF HIGHWAYS DELIVERY STANDARD PLAN FOR
**LED CHANGEABLE
MESSAGE "OPEN-CLOSED" SIGN**

PLAN DATE	SIG-360-A	SHEET 1 of 4
-----------	-----------	-----------------



FRONT VIEW



Note: Use AISI 300 Series stainless steel for all hinges, fasteners & hardware.

SECTION A-A

NOT TO SCALE

MICHIGAN DEPARTMENT OF TRANSPORTATION
BUREAU OF HIGHWAYS DELIVERY STANDARD PLAN

(SPECIAL DETAIL)
FHWA APPROVAL DATE

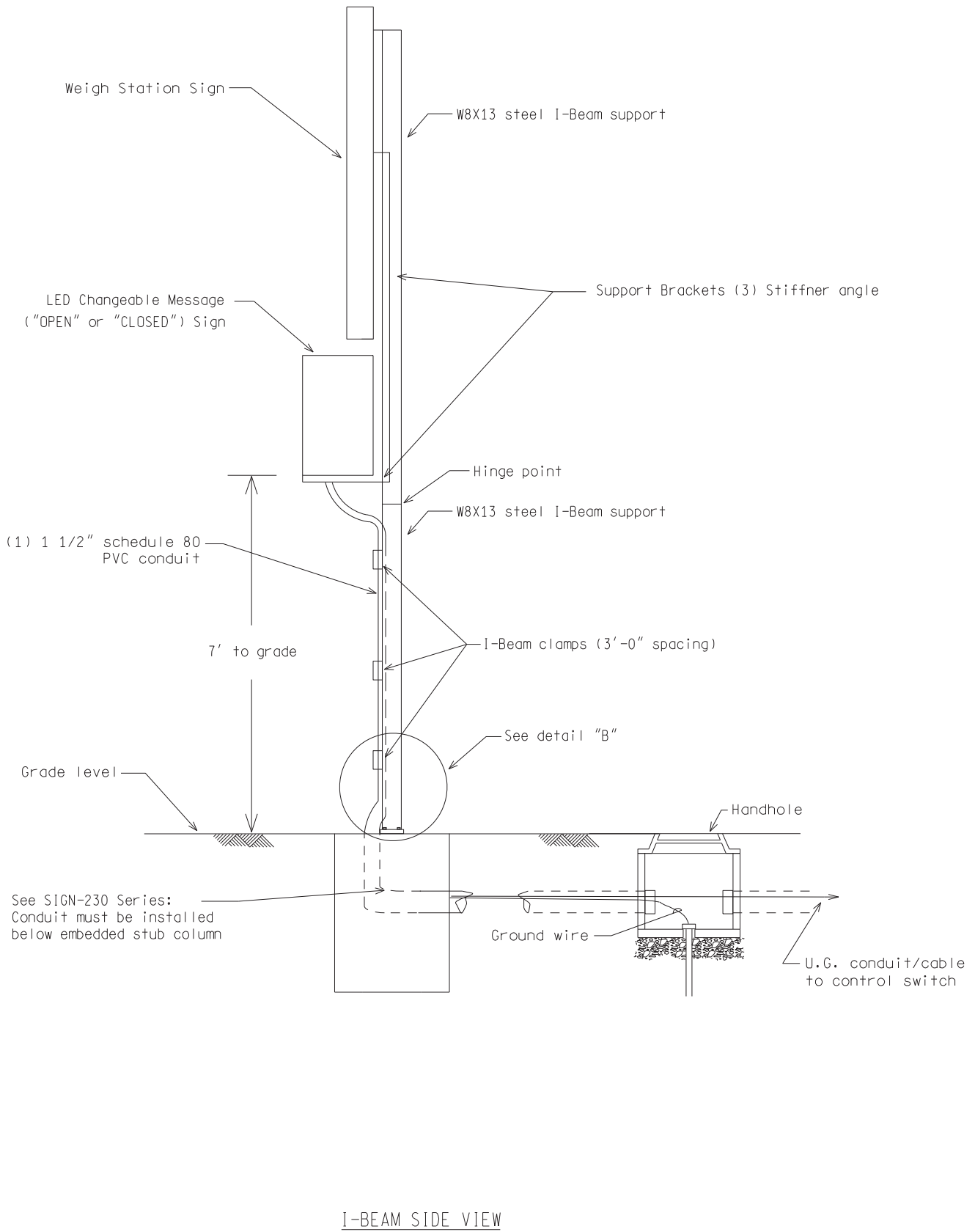
File: RefDoc/TR/Signals/Web/Sp Det/Fin/SIG360A.dgn

Rev. 02/16/17

PLAN DATE

SIG-360-A

SHEET
2 of 4



NOT TO SCALE

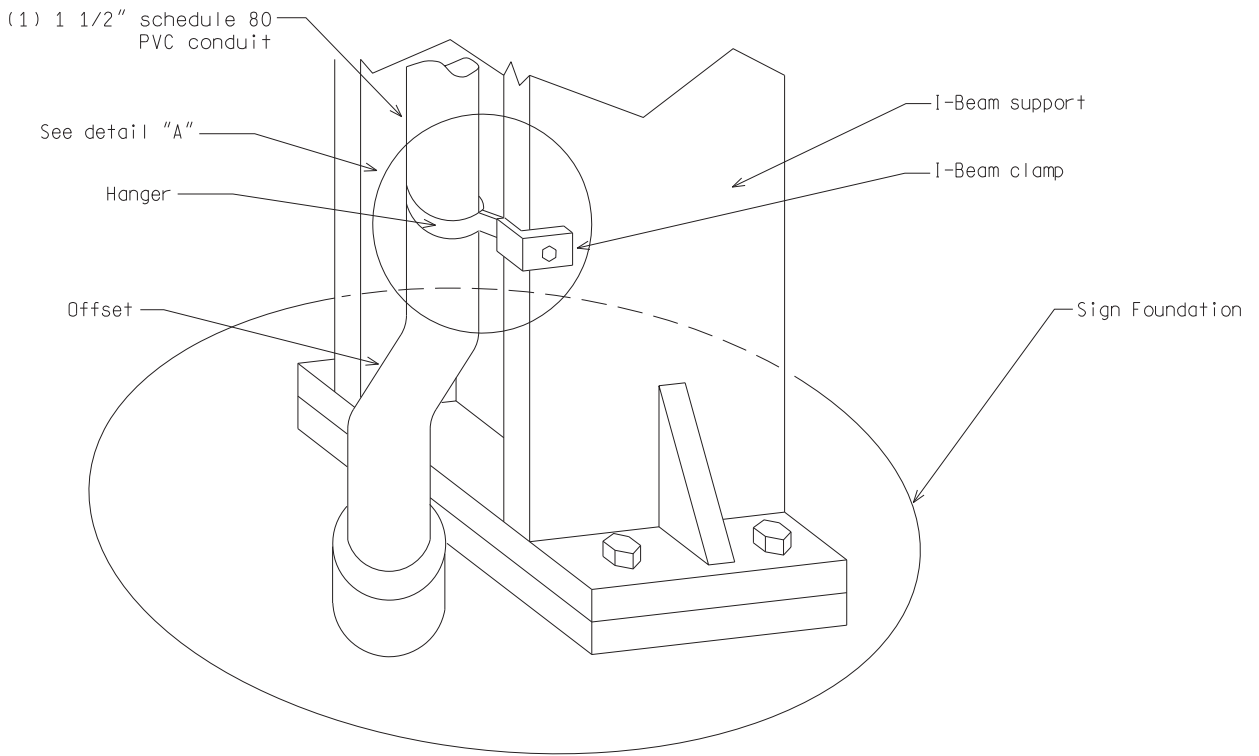
MICHIGAN DEPARTMENT OF TRANSPORTATION
BUREAU OF HIGHWAYS DELIVERY STANDARD PLAN

(SPECIAL DETAIL)
FHWA APPROVAL DATE

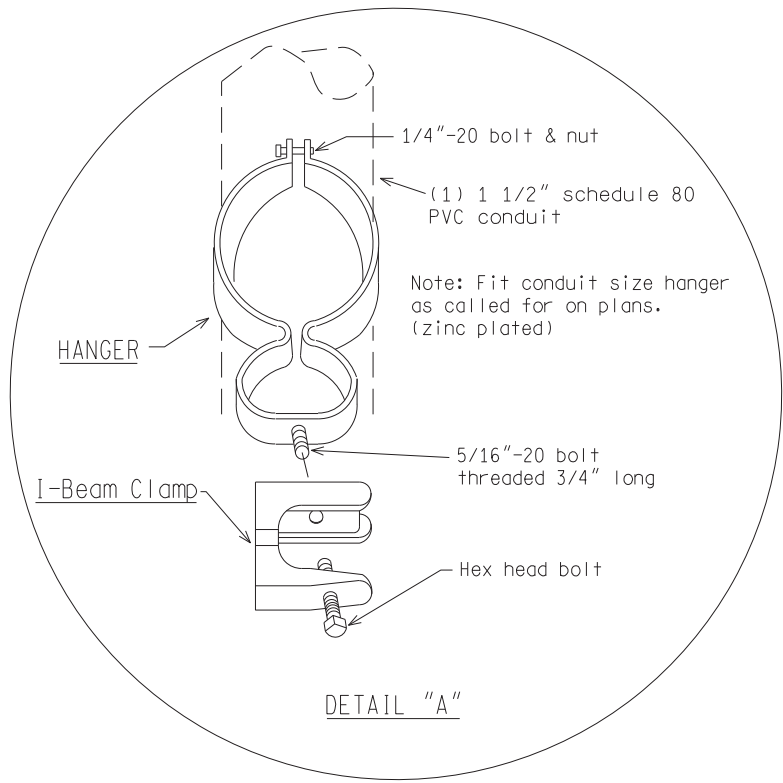
PLAN DATE

SIG-360-A

SHEET
3 of 4



DETAIL "B"



DETAIL "A"

I-BEAM CONDUIT ATTACHMENT DETAILS

NOT TO SCALE

MICHIGAN DEPARTMENT OF TRANSPORTATION
BUREAU OF HIGHWAYS DELIVERY STANDARD PLAN

(SPECIAL DETAIL)
FHWA APPROVAL DATE

PLAN DATE

SIG-360-A

SHEET
4 of 4