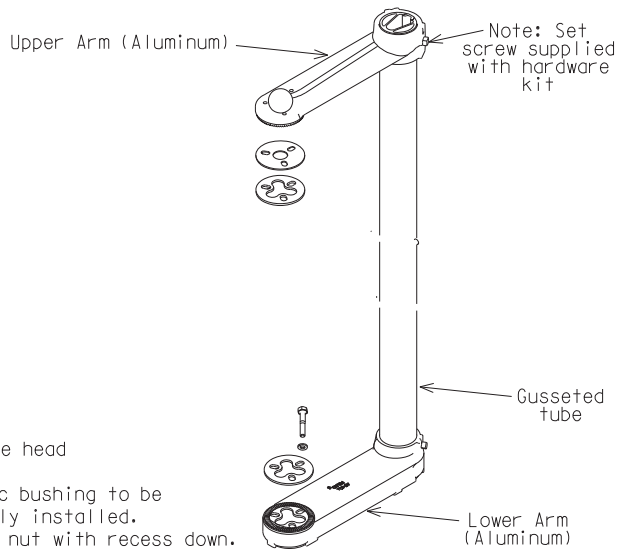
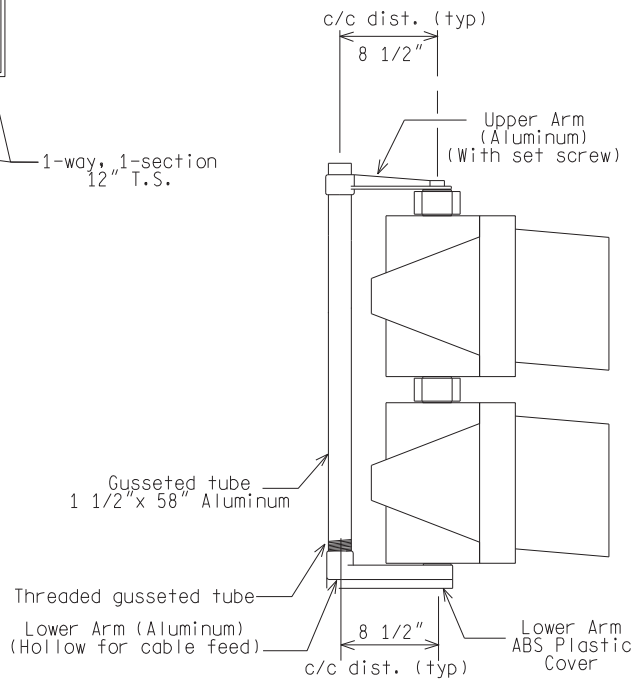


SPAN WIRE DISPLAY



ISOMETRIC VIEW



SIDE VIEW

HIGH INTENSITY ACTUATED CROSSWALK BEACON  
(TO STOP TRAFFIC FOR PEDESTRIAN CROSSING LOCATIONS)

NOT TO SCALE

File: RefDoc/TR/Signals/Web/Sp Det/Fin/SIG303A.dgn Rev: 02/16/17



PREPARED BY  
TRAFFIC AND SAFETY

DRAWN BY: JAM

CHECKED BY:

\_\_\_\_\_  
ENGINEER OF DELIVERY

\_\_\_\_\_  
ENGINEER OF DEVELOPMENT

(SPECIAL DETAIL)  
FHWA APPROVAL DATE

MICHIGAN DEPARTMENT OF TRANSPORTATION  
BUREAU OF HIGHWAYS DELIVERY STANDARD PLAN FOR

**BRACKETING FOR  
HAWK SIGNAL DISPLAY**

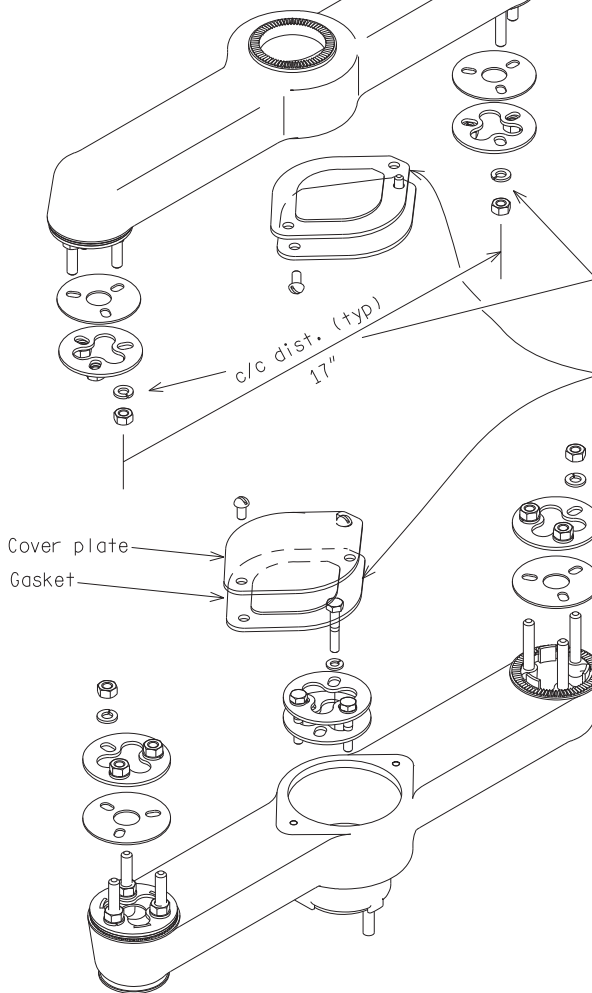
\_\_\_\_\_  
PLAN DATE

**SIG-303-A**

SHEET  
1 of 2

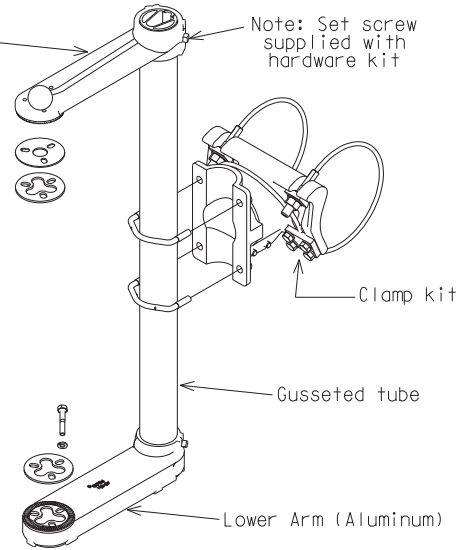
ISOMETRIC VIEW

Aluminum Tri-stud  
Upper Arm Assembly



Upper Arm (Aluminum)

Note: Set screw  
supplied with  
hardware kit



Clamp kit

Gusseted tube

Lower Arm (Aluminum)

Zinc slotted washers  
& Stainless steel  
hardware

weatherproof fitting

c/c dist. (typ)  
17"

Cover plate  
Gasket

ISOMETRIC VIEW

Upper Arm Assembly

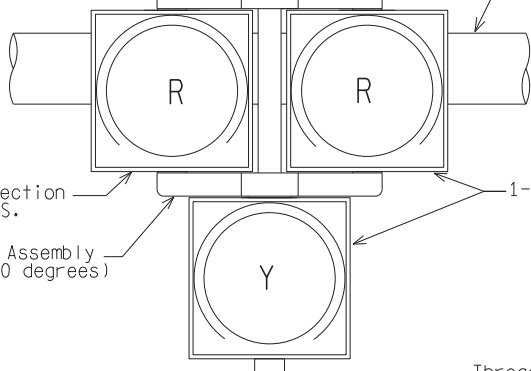
Aluminum Clamp kit  
(with galv. cable  
mount)

Mast Arm tube

Top Cap

c/c dist. (typ)  
8 1/2"

Upper Arm (Aluminum)  
(With set screw)

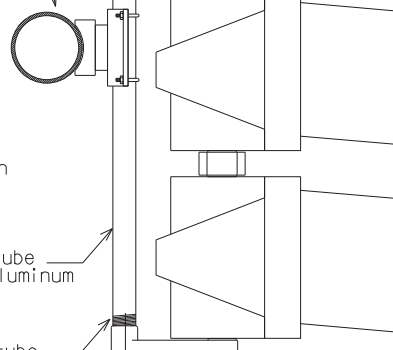


1-way, 1-section  
12" T.S.

1-way, 1-section  
12" T.S.

Upper Arm Assembly  
(rotated 180 degrees)

FRONT VIEW



Gusseted tube  
1 1/2" x 58" Aluminum

Threaded gusseted tube

Lower Arm (Aluminum)  
(Hollow for cable feed)

c/c dist. (typ)  
8 1/2"

Lower Arm  
ABS Plastic Cover

SIDE VIEW

NOT TO SCALE MAST ARM DISPLAY

MICHIGAN DEPARTMENT OF TRANSPORTATION  
BUREAU OF HIGHWAYS DELIVERY STANDARD PLAN

(SPECIAL DETAIL)  
FHWA APPROVAL DATE

PLAN DATE

SIG-303-A

SHEET  
2 of 2