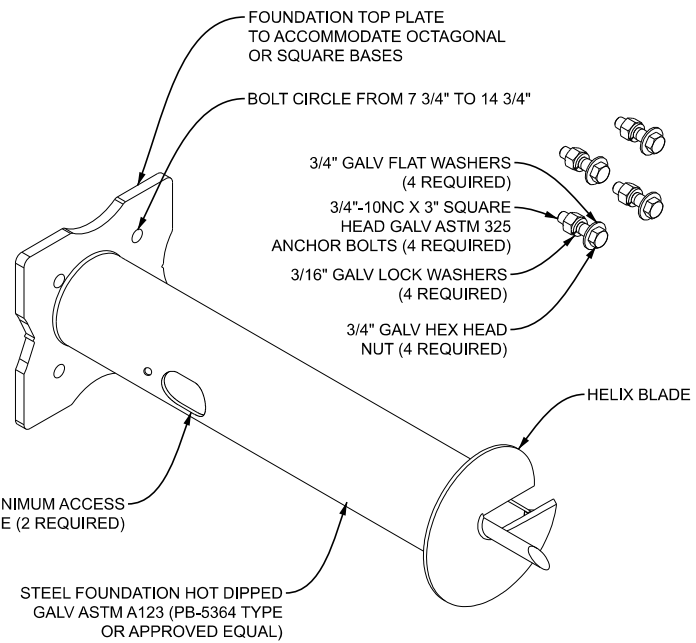
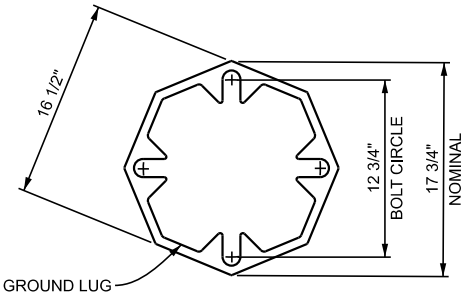


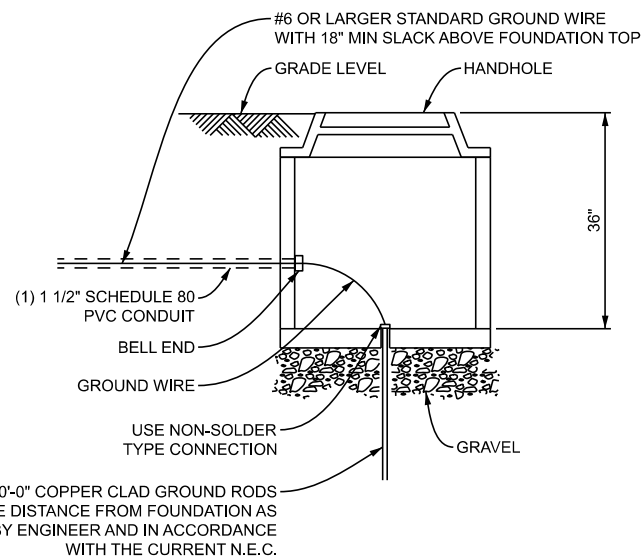
**A** DETAIL - HELIX FOUNDATION ANCHOR ASSEMBLY  
N.T.S. FOR PEDESTRIAN PUSHBUTTON PEDESTAL ONLY  
(REFER TO SIG-102-A)



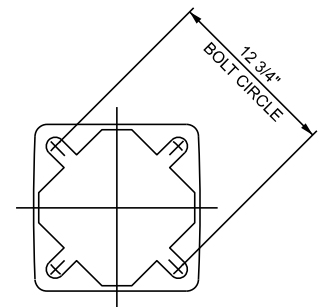
**B** DETAIL - ISOMETRIC VIEW  
N.T.S.



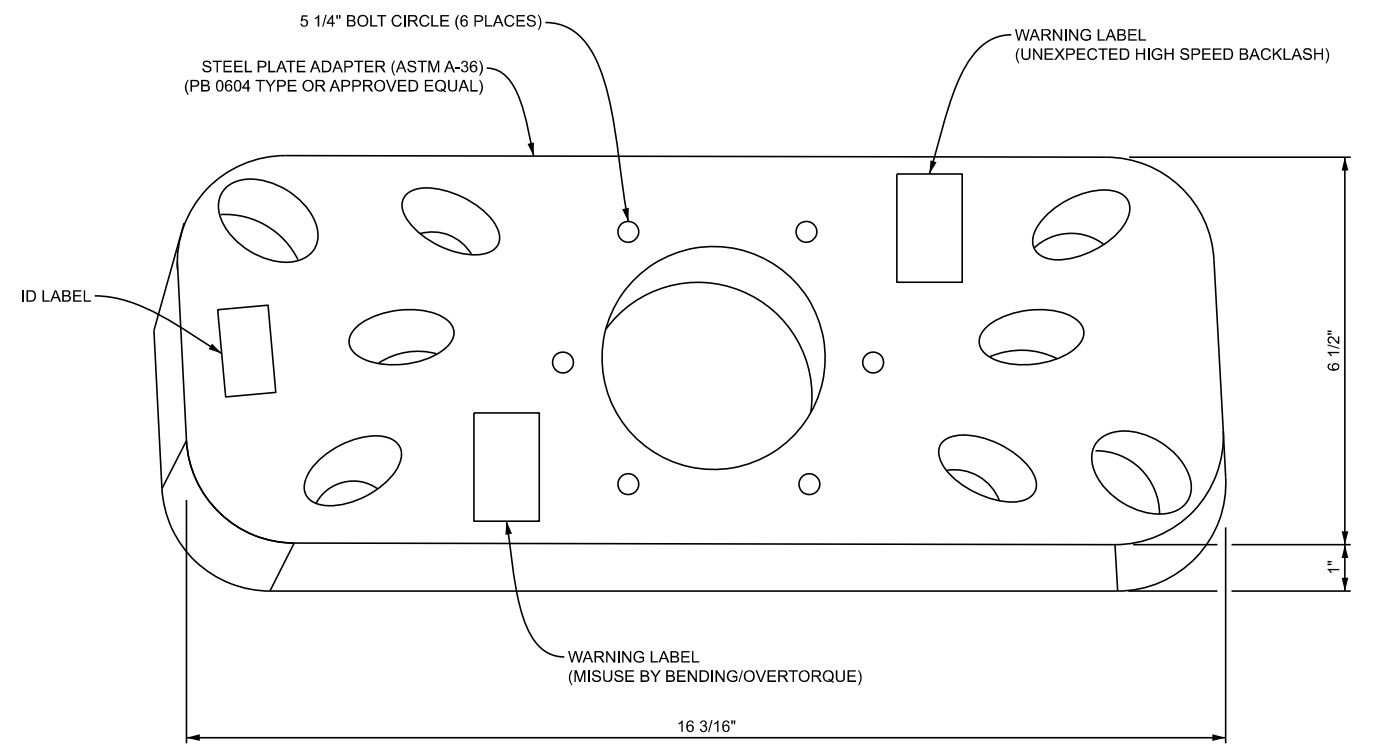
**C** DETAIL - OCTOGONAL BASE BOTTOM PLAN  
N.T.S.



**D** DETAIL - HANDHOLE  
N.T.S.



**E** DETAIL - SQUARE BASE BOTTOM PLAN  
N.T.S.



**F** DETAIL - STEEL DRIVER ADAPTER  
N.T.S. (FOR 4", 6", OR 8" SCREW IN FOUNDATION ANCHORS)

NOTE:  
TYPICALLY THE DRIVER ADAPTER IS ATTACHED BETWEEN THE KELLY BAR ADAPTER (HUB) ON THE DRILL EQUIPMENT AND THE TOP PLATE OF THE FOUNDATION ANCHOR.

APPROVED BY: \_\_\_\_\_  
DIRECTOR, BUREAU OF FIELD SERVICES

APPROVED BY: \_\_\_\_\_  
DIRECTOR, BUREAU OF DEVELOPMENT

**MDOT**  
Michigan Department of Transportation

DEPARTMENT DIRECTOR  
BRADLEY C. WIEFERICH, PE

HELIX PEDESTAL FOUNDATION

(SPECIAL DETAIL)	10/29/2024	OC-072-A	SHEET 1 OF 2
FHWA APPROVAL	PLAN DATE		

**MDOT**  
Michigan Department of Transportation

DEPARTMENT DIRECTOR  
BRADLEY C. WIEFERICH, PE

HELIX PEDESTAL FOUNDATION

(SPECIAL DETAIL)	10/29/2024	OC-072-A	SHEET 2 OF 2
FHWA APPROVAL	PLAN DATE		

SECT