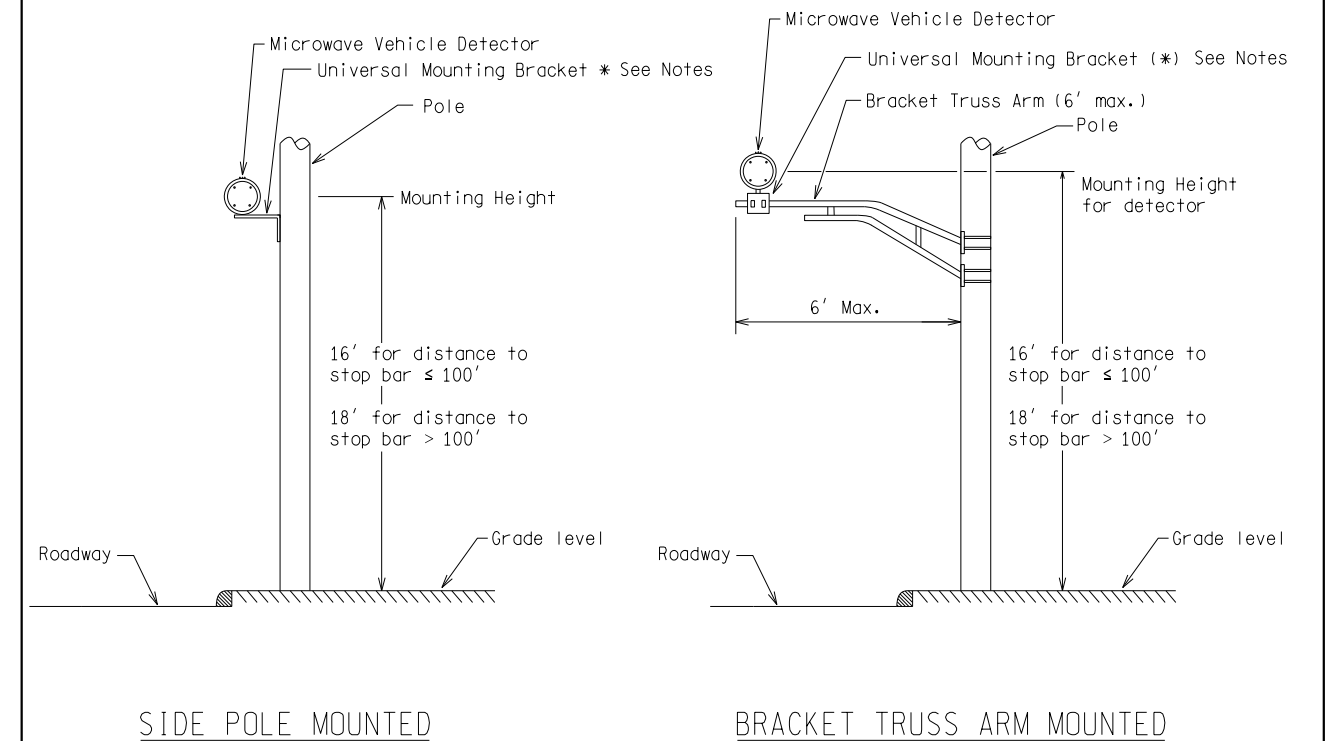
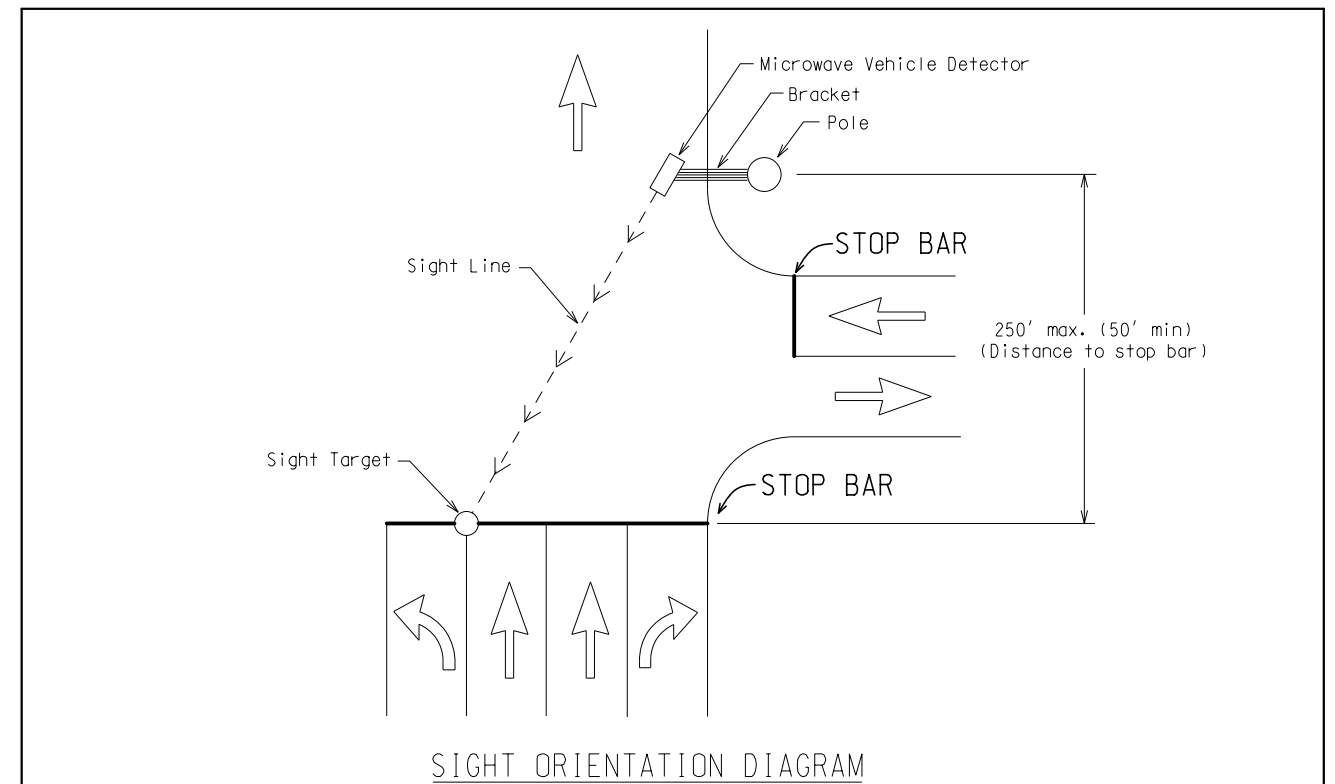


NOT TO SCALE File: RefDoc/TR/Signals/Web/Sp Det/F in/SIG440A.dgn Rev. 02/16/17

<p>MICHIGAN DEPARTMENT OF TRANSPORTATION BUREAU OF HIGHWAYS DELIVERY STANDARD PLAN FOR</p>	ENGINEER OF DELIVERY	<p>MICROWAVE VEHICLE DETECTOR</p>	<p>SIG-440-A</p>	<p>SHEET 1 of 4</p>
	ENGINEER OF DEVELOPMENT			
<p>PREPARED BY TRAFFIC AND SAFETY</p>	(SPECIAL DETAIL)	PLAN DATE		
<p>DRAWN BY: DCK</p>	FHWA APPROVAL DATE			
<p>CHECKED BY:</p>				



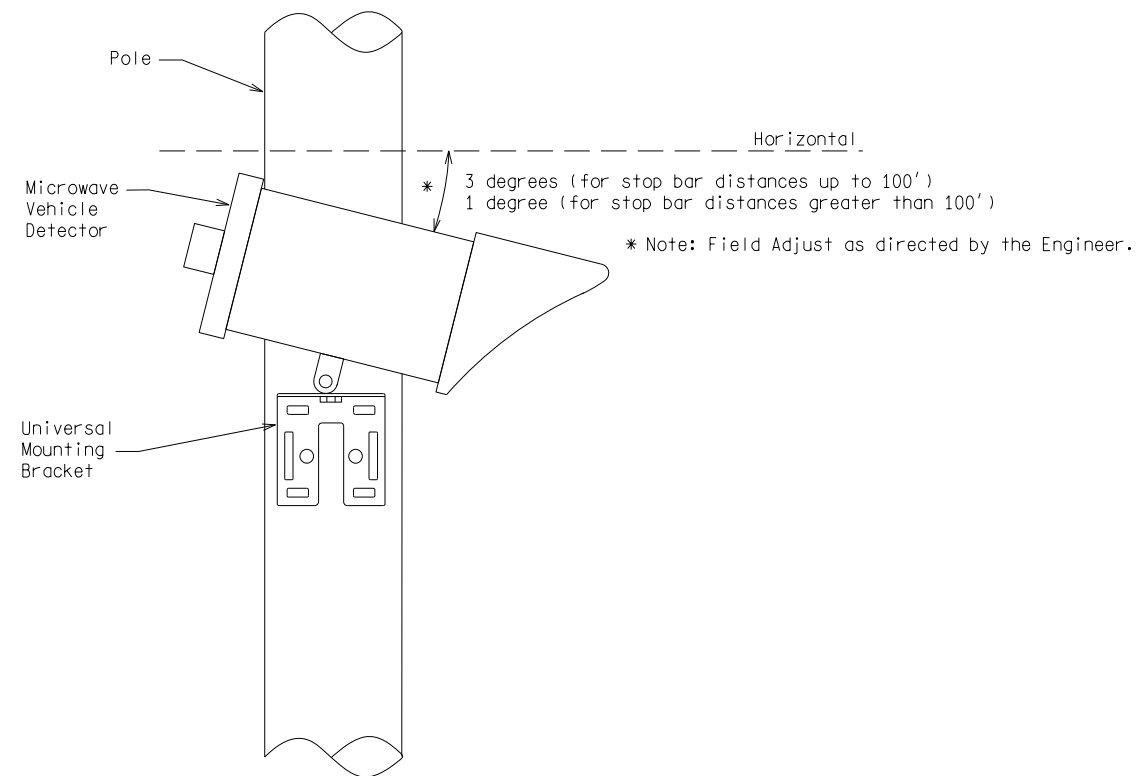
NOT TO SCALE

(*) Notes:
1. Use 3/8" x 5" Hex head screw (2" min.) for mounting to wood poles.
2. Use 3/4" x 0.30 min. stainless steel band for mounting to steel poles, pedestals or bracket truss arms.

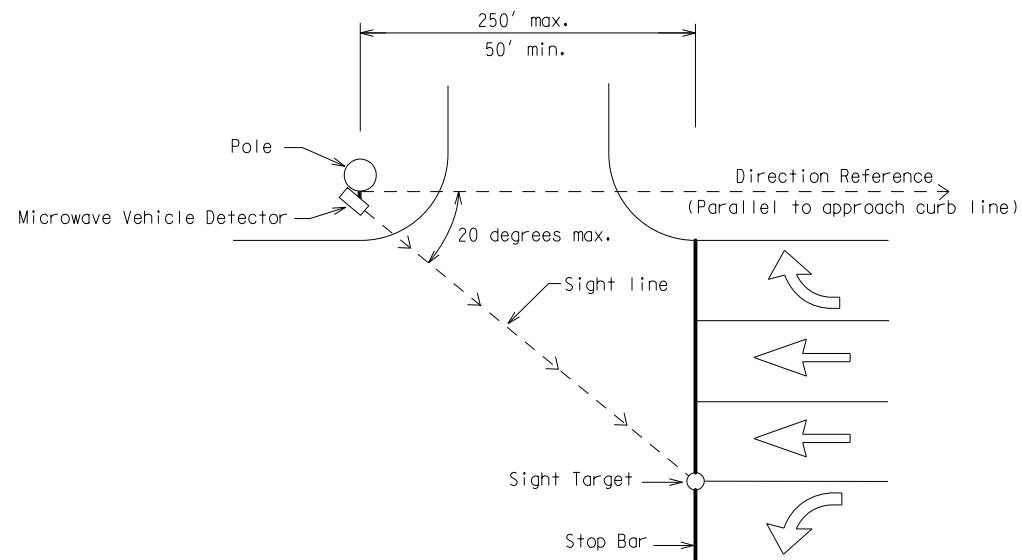
MICHIGAN DEPARTMENT OF TRANSPORTATION BUREAU OF HIGHWAYS DELIVERY STANDARD PLAN	(SPECIAL DETAIL) FHWA APPROVAL DATE	PLAN DATE	SIG-440-A	SHEET 2 of 4
File: RefDoc/TR/Signals/Web/Sp Det/F in/SIG440A.dgn Rev. 02/16/17				

AS-LET PLAN REVISIONS									<p>DATE:</p>	<p>CS:</p>	<p>DRAWING</p>	<p>SHEET</p>
NO.	DATE	AUTH	DESCRIPTION	NO.	DATE	AUTH	DESCRIPTION					

FILE: DESIGN UNIT: TSC: JN:



VERTICAL ORIENTATION

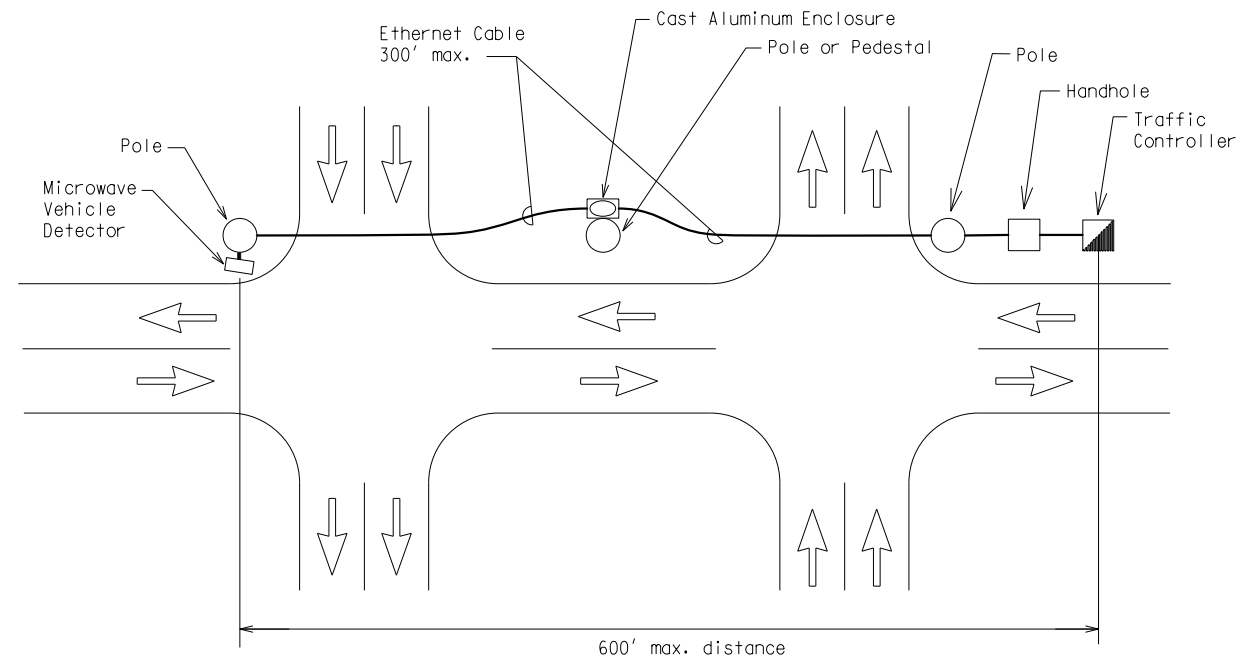
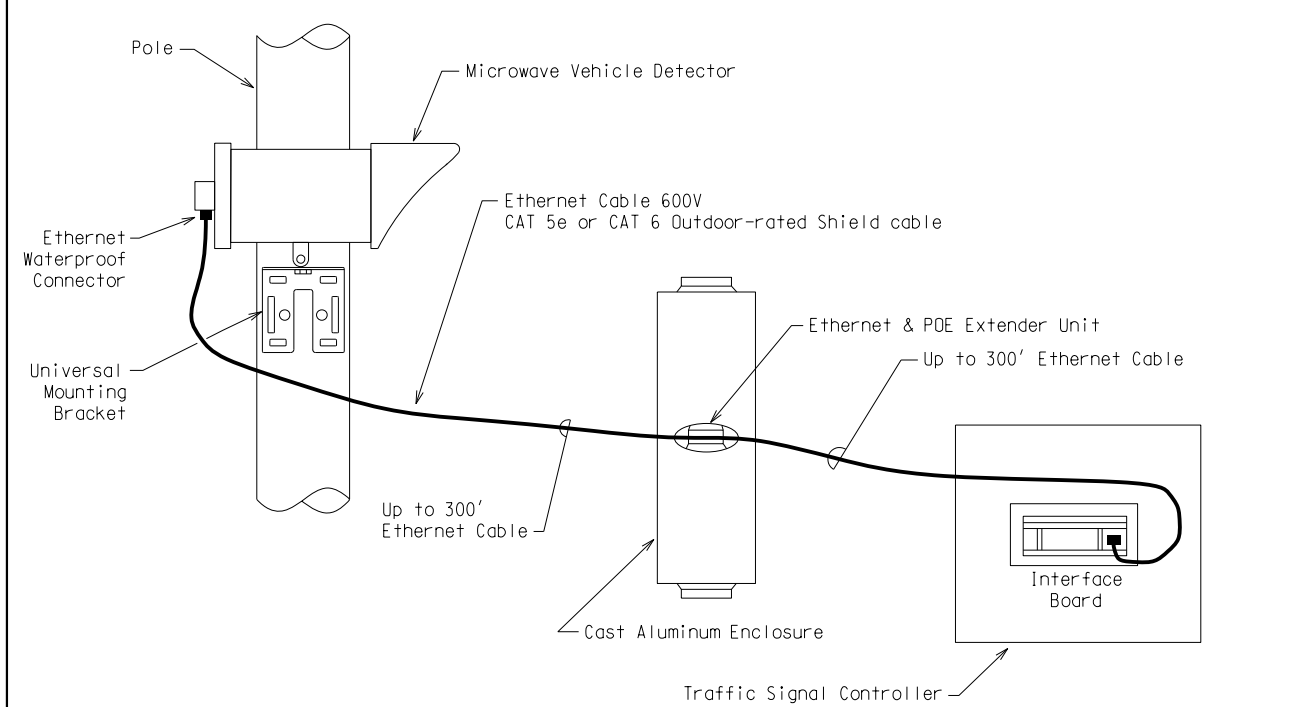


HORIZONTAL ORIENTATION

MICROWAVE VEHICLE SENSOR ORIENTATION DIAGRAM

NOT TO SCALE

MICHIGAN DEPARTMENT OF TRANSPORTATION BUREAU OF HIGHWAYS DELIVERY STANDARD PLAN		(SPECIAL DETAIL) FHWA APPROVAL DATE	PLAN DATE	SIG-440-A	SHEET 3 of 4
File: RefDoc/TR/Signals/Web/Sp Det/F in/SIG440A.dgn		Rev. 02/16/17			



ETHERNET CABLE EXTENSION ORIENTATION DIAGRAM

NOT TO SCALE

MICHIGAN DEPARTMENT OF TRANSPORTATION BUREAU OF HIGHWAYS DELIVERY STANDARD PLAN		(SPECIAL DETAIL) FHWA APPROVAL DATE	PLAN DATE	SIG-440-A	SHEET 4 of 4
File: RefDoc/TR/Signals/Web/Sp Det/F in/SIG440A.dgn		Rev. 02/16/17			

AS-LET PLAN REVISIONS							
NO.	DATE	AUTH	DESCRIPTION	NO.	DATE	AUTH	DESCRIPTION



DATE:	CS:	DRAWING	SHEET
DESIGN UNIT:	JN:		
FILE:	TSC:		