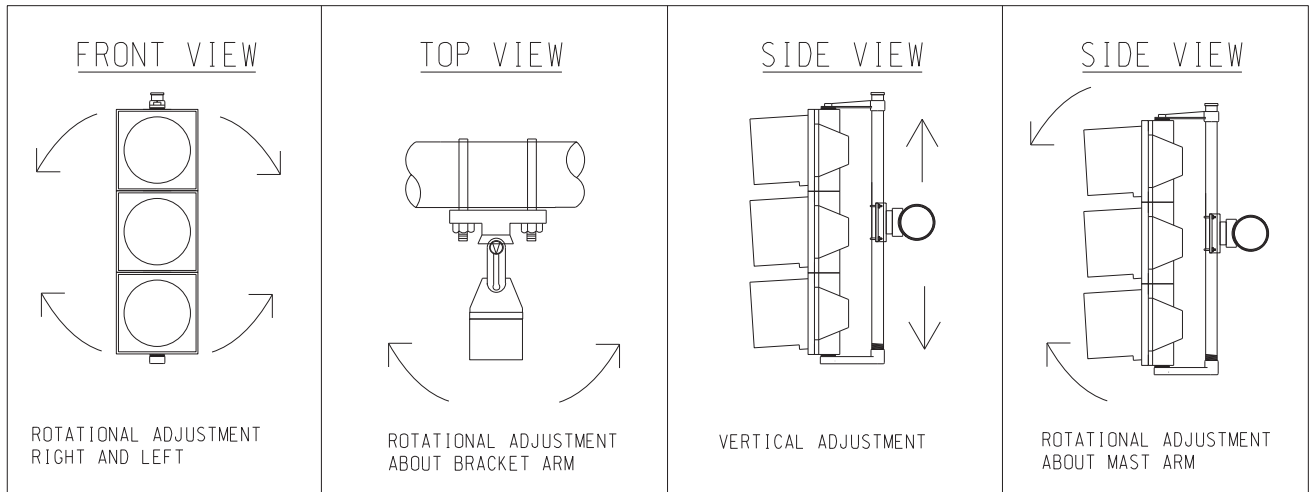


TYPICAL SIGNAL DISPLAYS



SIGNAL HEAD BRACKET ADJUSTMENT

NOT TO SCALE

File: RefDoc/TR/Signals/Web/Sp Det/Fin/SIG301A.dgn Rev: 02/16/17



PREPARED BY
TRAFFIC AND SAFETY

DRAWN BY: JEV

CHECKED BY:

ENGINEER OF DELIVERY

ENGINEER OF DEVELOPMENT

(SPECIAL DETAIL)
FHWA APPROVAL DATE

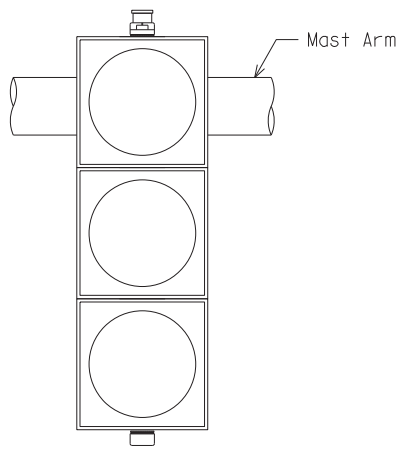
MICHIGAN DEPARTMENT OF TRANSPORTATION
BUREAU OF HIGHWAYS DELIVERY STANDARD PLAN FOR

MAST ARM MOUNTED
T.S. BRACKET ASSEMBLY

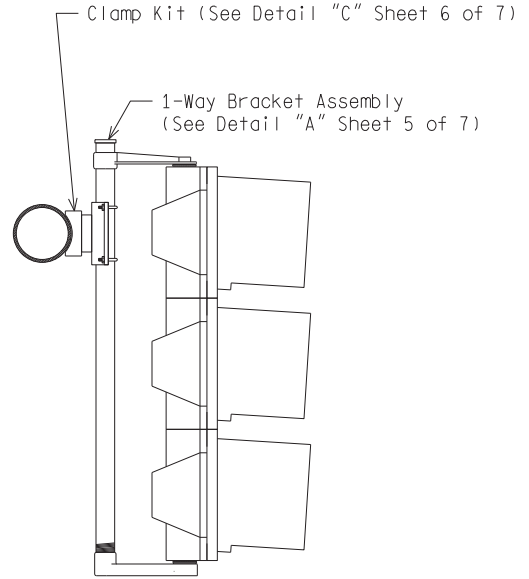
PLAN DATE

SIG-301-A

SHEET
1 of 7

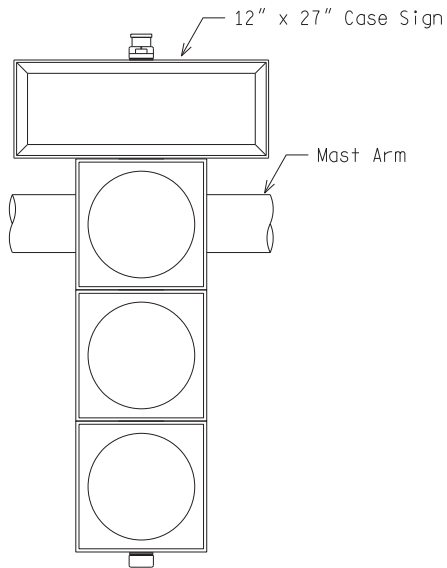


FRONT VIEW

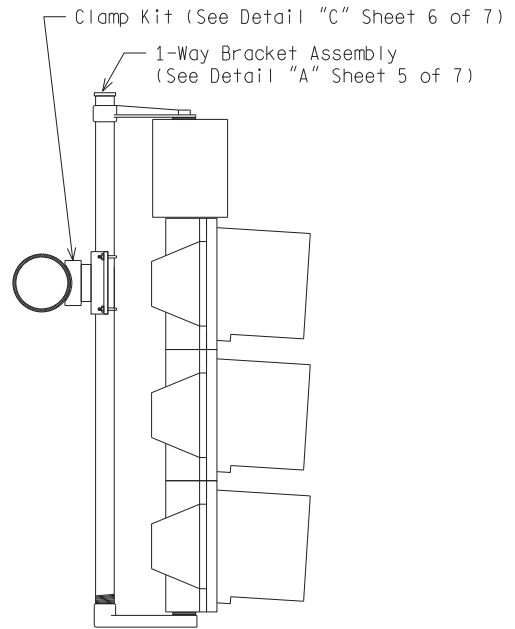


SIDE VIEW

1W-3C



FRONT VIEW



SIDE VIEW

1W-3C With 12" x 27" Case Sign

NOT TO SCALE

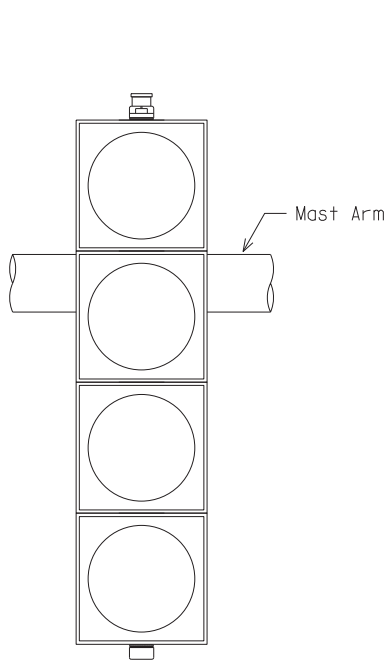
MICHIGAN DEPARTMENT OF TRANSPORTATION
BUREAU OF HIGHWAYS DELIVERY STANDARD PLAN

(SPECIAL DETAIL)
FHWA APPROVAL DATE

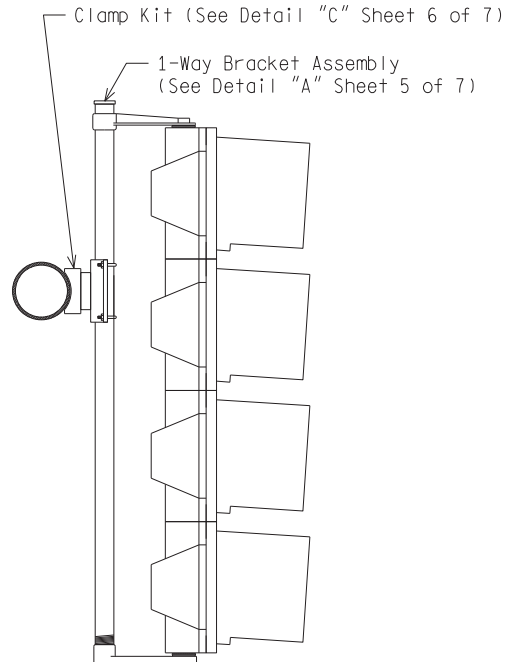
PLAN DATE

SIG-301-A

SHEET
2 of 7

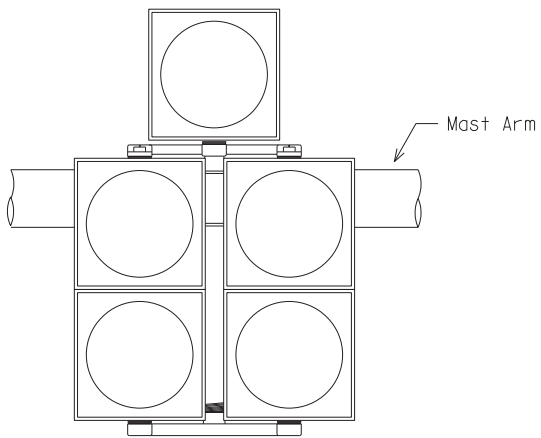


FRONT VIEW

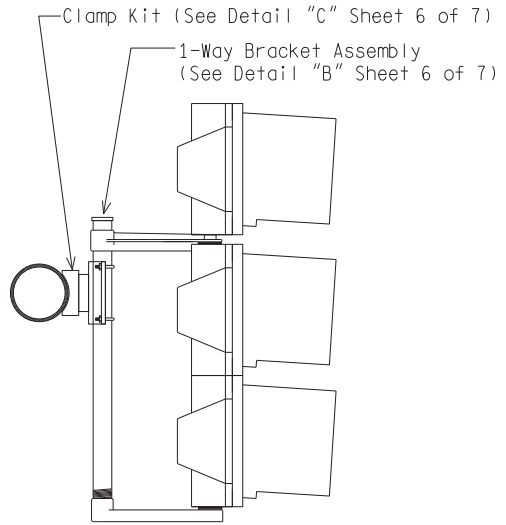


SIDE VIEW

1W-4C (FYA)



FRONT VIEW



SIDE VIEW

1W-5C (Doghouse)

NOT TO SCALE

MICHIGAN DEPARTMENT OF TRANSPORTATION
BUREAU OF HIGHWAYS DELIVERY STANDARD PLAN

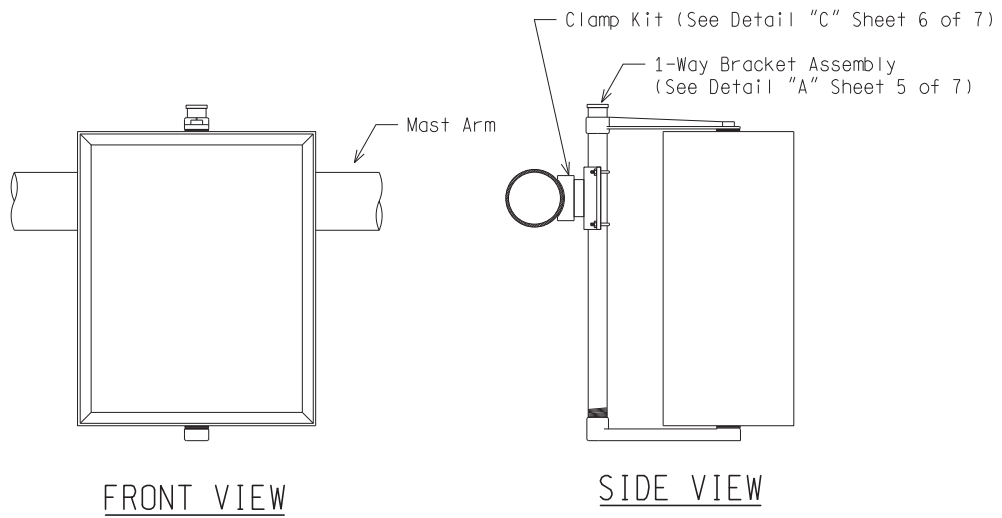
(SPECIAL DETAIL)
FHWA APPROVAL DATE

File: RefDoc/TR/Signals/Web/Sp Det/Fin/SIG301A.dgn Rev. 02/16/17

PLAN DATE

SIG-301-A

SHEET
3 of 7



1W-Case Sign (24" x 30" Shown)

NOT TO SCALE

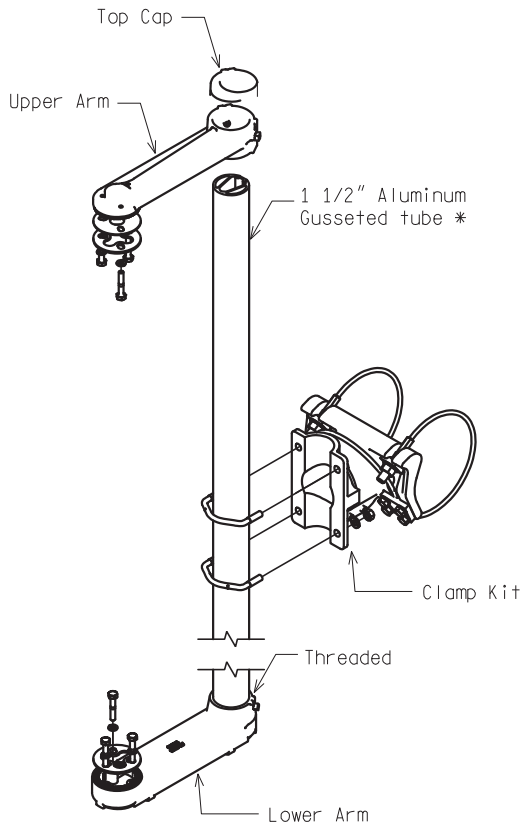
MICHIGAN DEPARTMENT OF TRANSPORTATION
BUREAU OF HIGHWAYS DELIVERY STANDARD PLAN

(SPECIAL DETAIL)
FHWA APPROVAL DATE

PLAN DATE

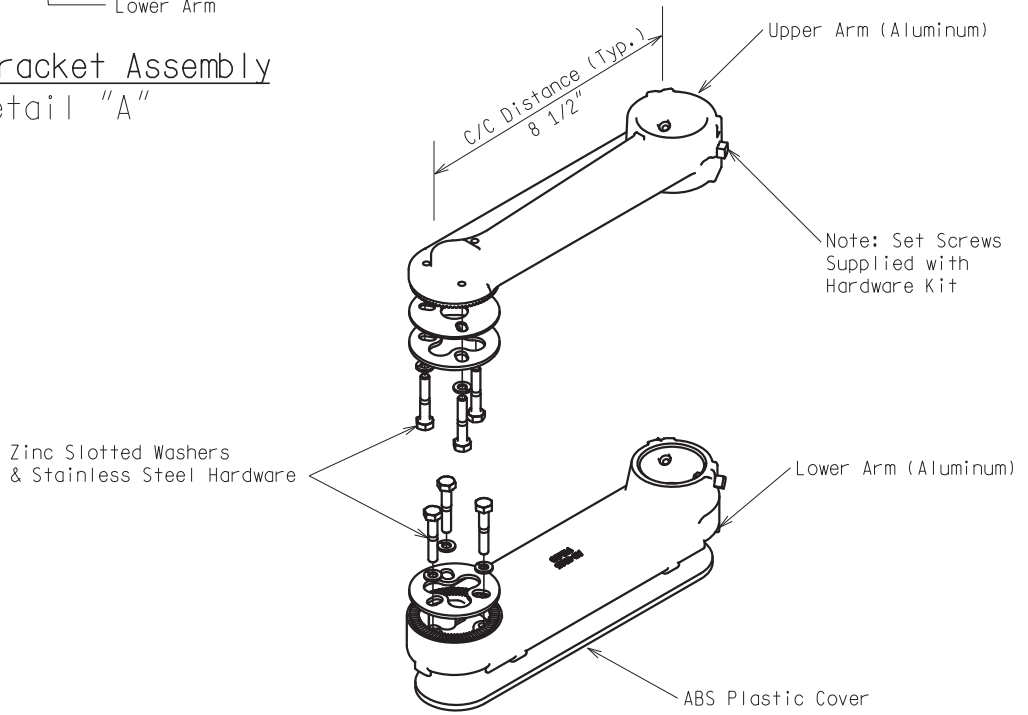
SIG-301-A

SHEET
4 of 7



* Note: Use 46" tube for 3 section T.S.
Use 58" tube for 4 section T.S.

1-WAY Bracket Assembly
Detail "A"



1-WAY Bracket Arm Assembly

NOT TO SCALE

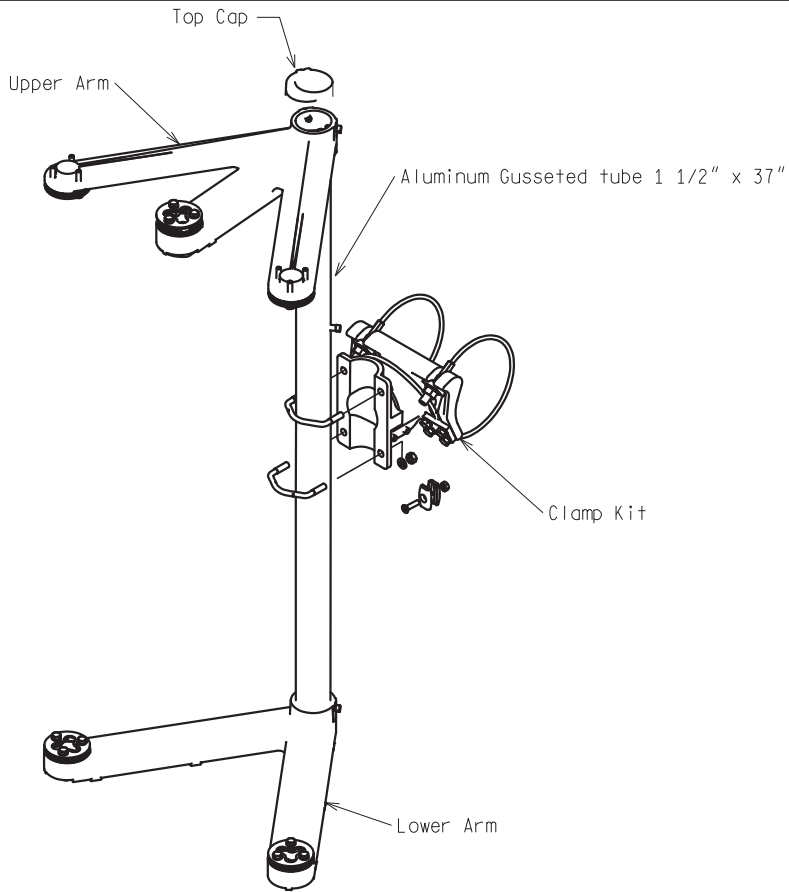
MICHIGAN DEPARTMENT OF TRANSPORTATION
BUREAU OF HIGHWAYS DELIVERY STANDARD PLAN

(SPECIAL DETAIL)
FHWA APPROVAL DATE

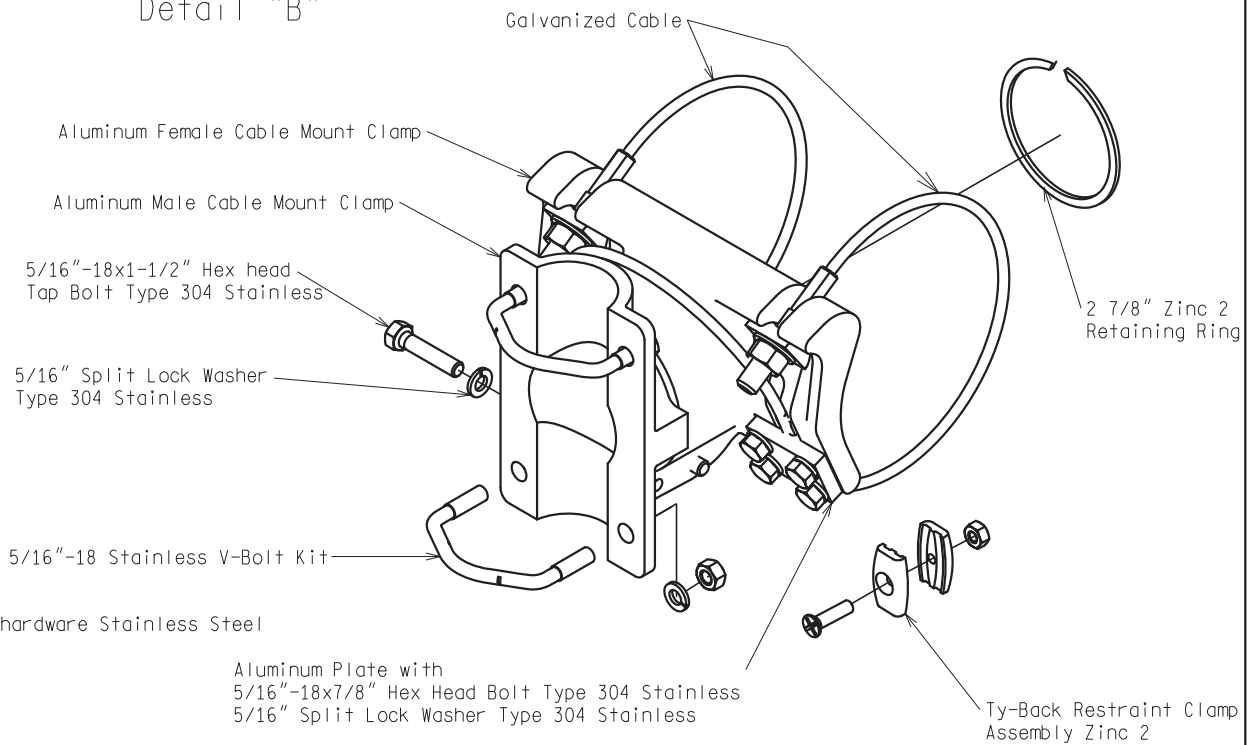
PLAN DATE

SIG-301-A

SHEET
5 of 7



1-WAY 5-Section Cluster Bracket Assembly
Detail "B"



Note: All hardware Stainless Steel

Aluminum Clamp With Galvanized Cable
Detail "C"

NOT TO SCALE

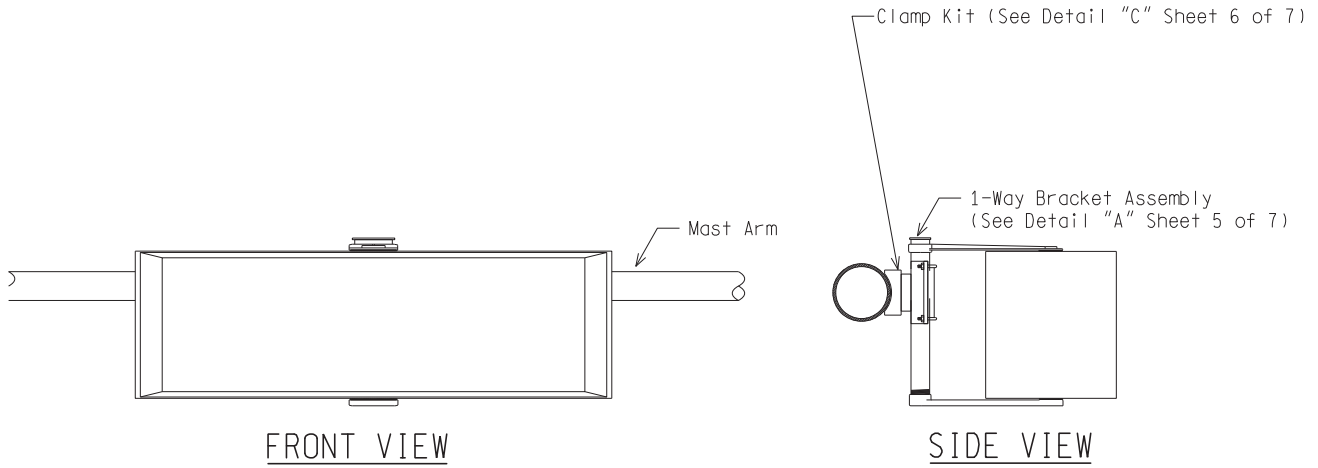
MICHIGAN DEPARTMENT OF TRANSPORTATION
BUREAU OF HIGHWAYS DELIVERY STANDARD PLAN

(SPECIAL DETAIL)
FHWA APPROVAL DATE

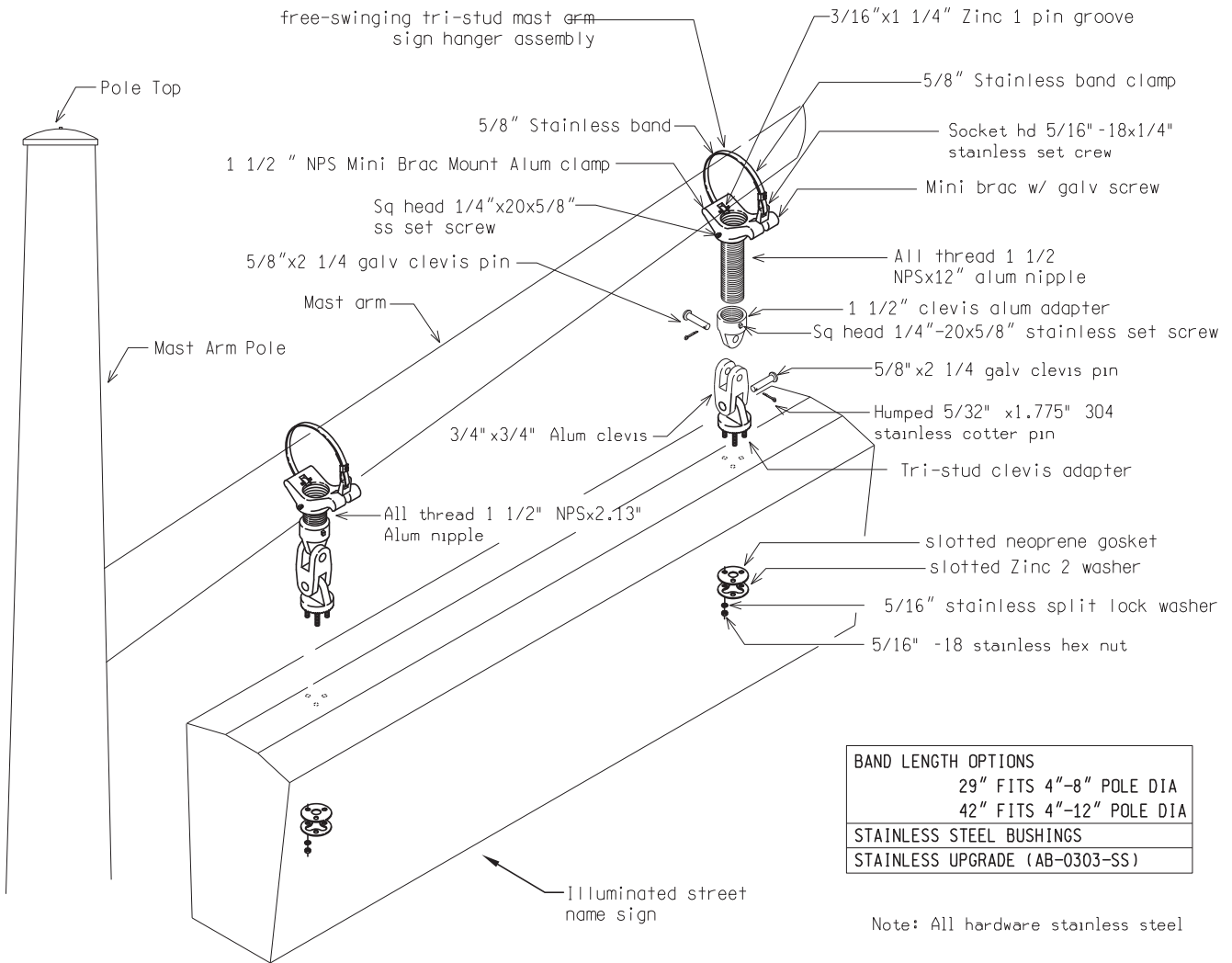
PLAN DATE

SIG-301-A

SHEET
6 of 7



1W-Illuminated Street Name Sign



2W-Illuminated Street Name Sign

NOT TO SCALE

MICHIGAN DEPARTMENT OF TRANSPORTATION
BUREAU OF HIGHWAYS DELIVERY STANDARD PLAN

(SPECIAL DETAIL)
FHWA APPROVAL DATE

PLAN DATE

SIG-301-A

SHEET
7 of 7