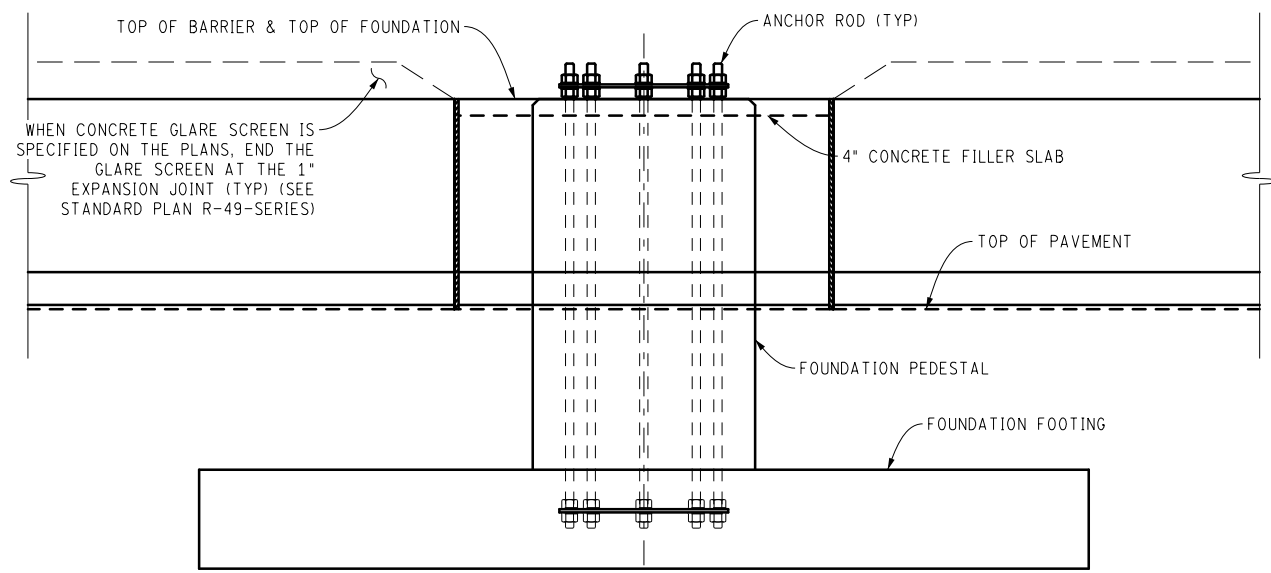


PLAN VIEW

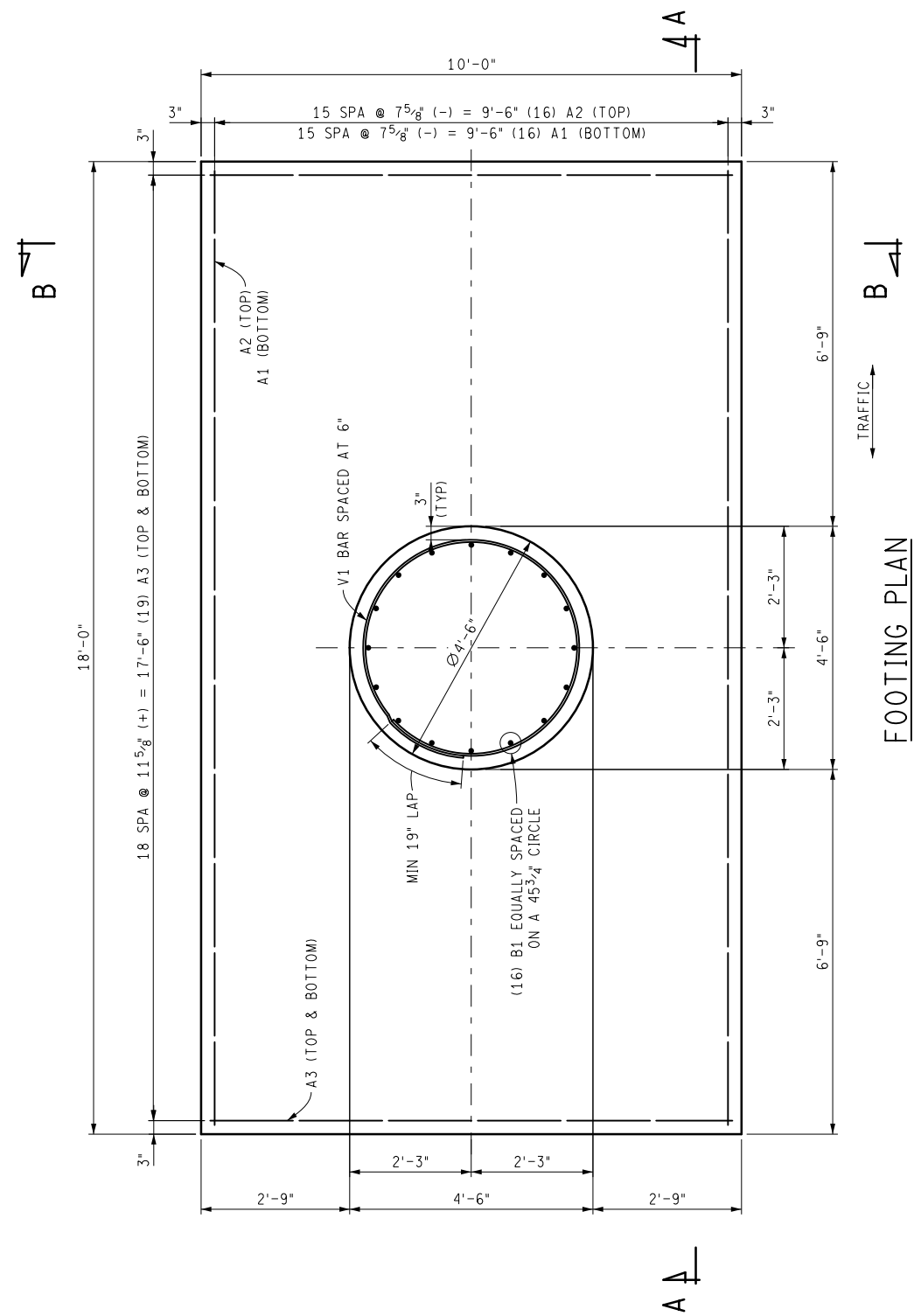


ELEVATION VIEW

NOTES:

WHEN THE FOUNDATION IS LOCATED WITHIN THE MEDIAN BARRIER, USE STANDARD PLAN R-49-SERIES FOR ADDITIONAL BARRIER DETAILS NOT SHOWN.
 LOCATE THE TOP OF FOUNDATION PEDESTAL AT THE TOP OF BARRIER.

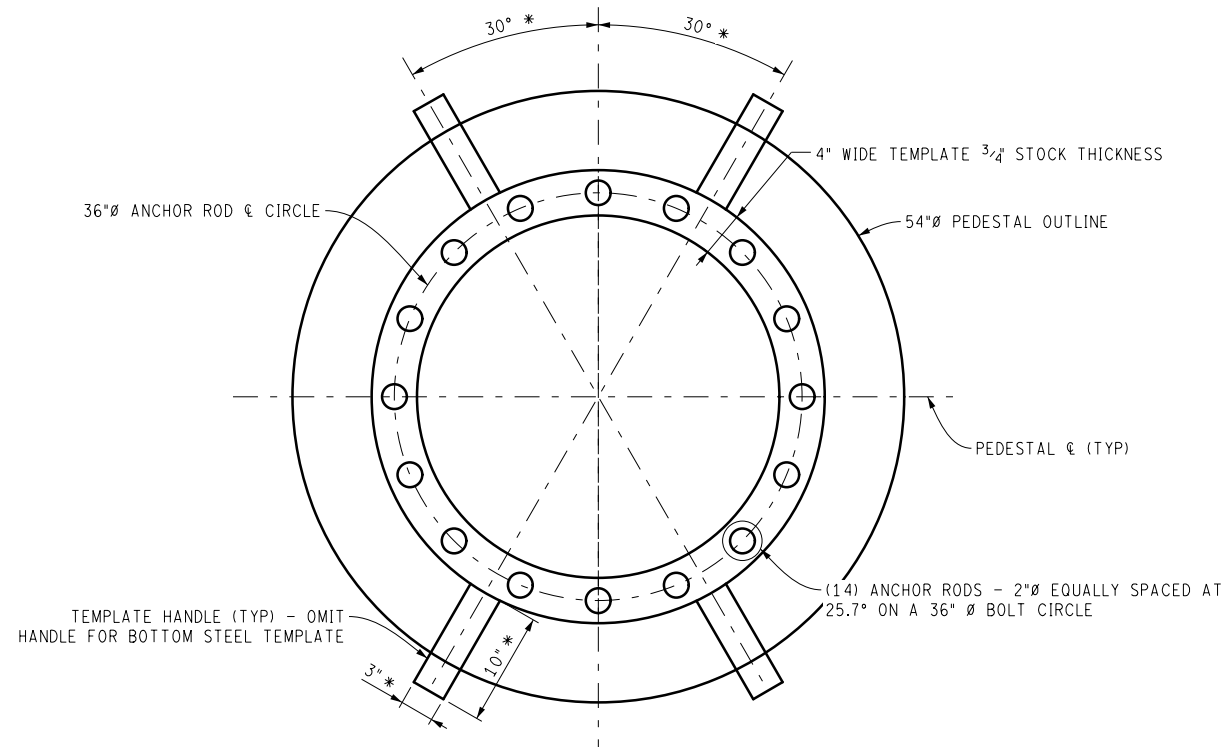
	DEPARTMENT DIRECTOR Bradley C. Wiefelich, P.E.	MICHIGAN DEPARTMENT OF TRANSPORTATION			
	PREPARED BY ANCILLARY STRUCTURES	APPROVED BY: _____ DIRECTOR, BUREAU OF FIELD SERVICES	SPREAD FOOTING FOUNDATION FOR CANTILEVER TYPE J		
DRAWN BY: <u>HNTB</u>	APPROVED BY: _____ DIRECTOR, BUREAU OF DEVELOPMENT	(SPECIAL DETAIL) F.H.W.A. APPROVAL	08/08/23 PLAN DATE	SIGN-375-B	SHEET 1 OF 6



FOOTING PLAN

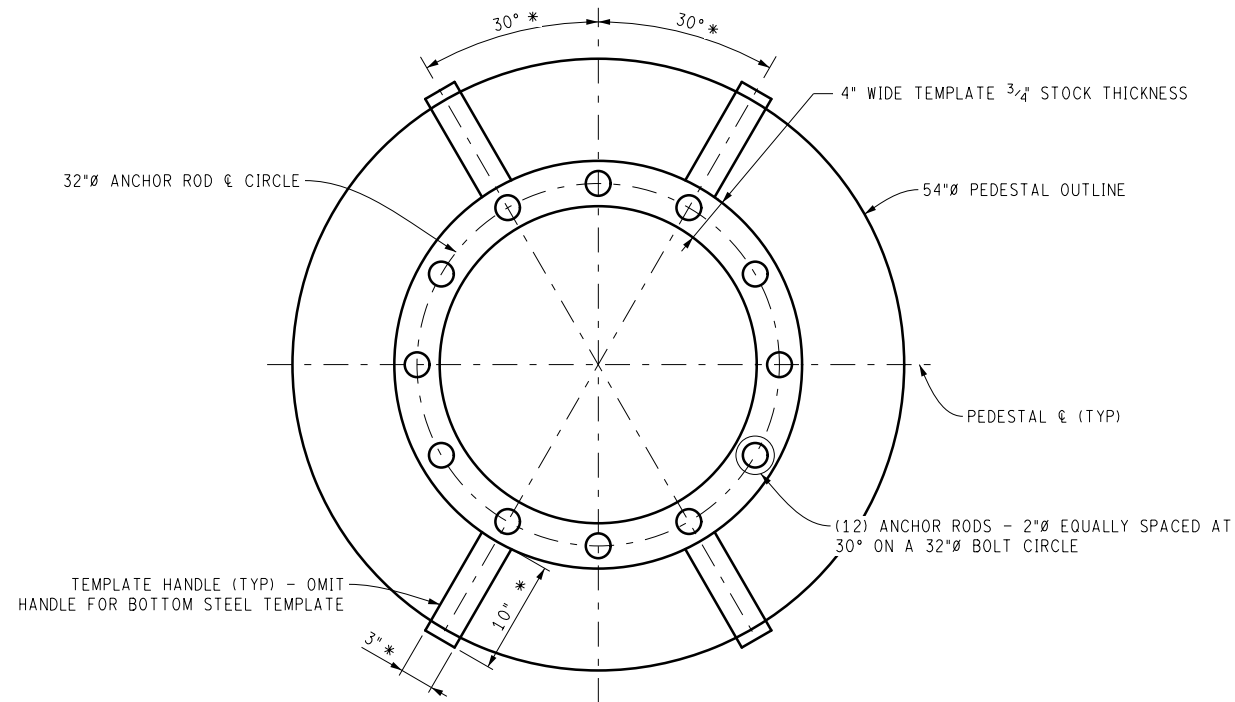
NOT TO SCALE

MICHIGAN DEPARTMENT OF TRANSPORTATION		(SPECIAL DETAIL) F.H.W.A. APPROVAL	08/08/23 PLAN DATE	SIGN-375-B	SHEET 2 OF 6
---------------------------------------	--	---------------------------------------	-----------------------	------------	-----------------



PLAN VIEW 1

(FOR USE WITH 35 FT AND 40 FT CANTILEVER ARMS)
 * OR AS REQUIRED BY THE ENGINEER.
 NOTE: OMIT TEMPLATE HANDLES ON BOTTOM STEEL TEMPLATES.



PLAN VIEW 2

(FOR USE WITH 20 FT THROUGH 30 FT CANTILEVER ARMS OR
 WITH 35 FT AND 40 FT CANTILEVER ARMS WITH
 REDUCED SIGN AREA SHOWN IN SIGN-350-SERIES.)
 * OR AS REQUIRED BY THE ENGINEER.
 NOTE: OMIT TEMPLATE HANDLES ON BOTTOM STEEL TEMPLATES.

NOT TO SCALE

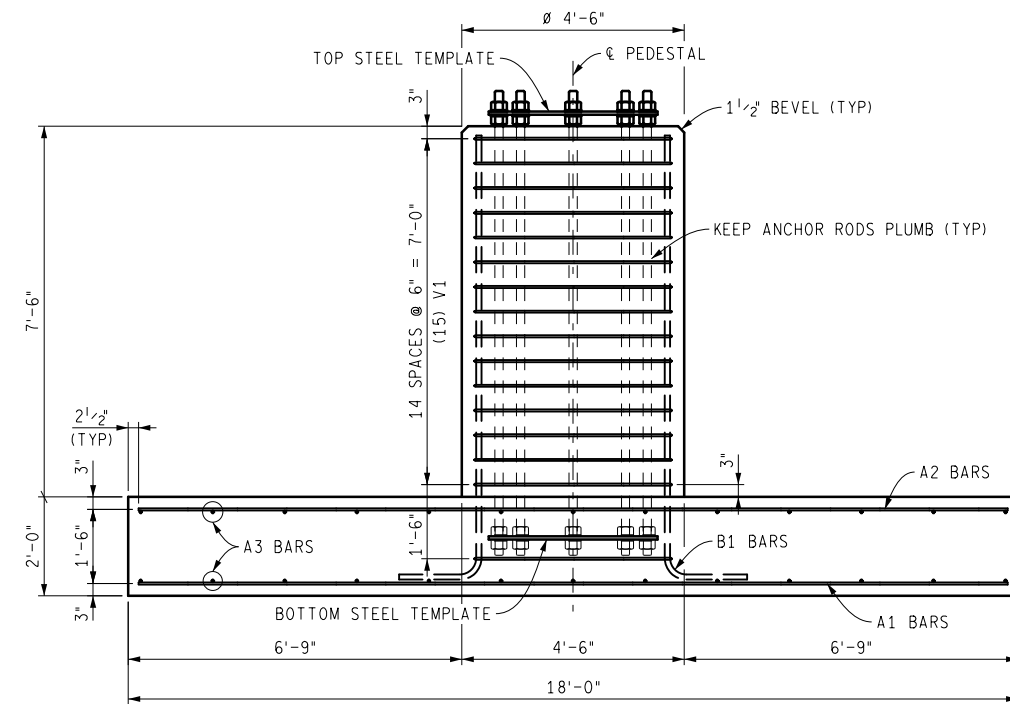
MICHIGAN DEPARTMENT OF TRANSPORTATION

(SPECIAL DETAIL)
 F.H.W.A. APPROVAL

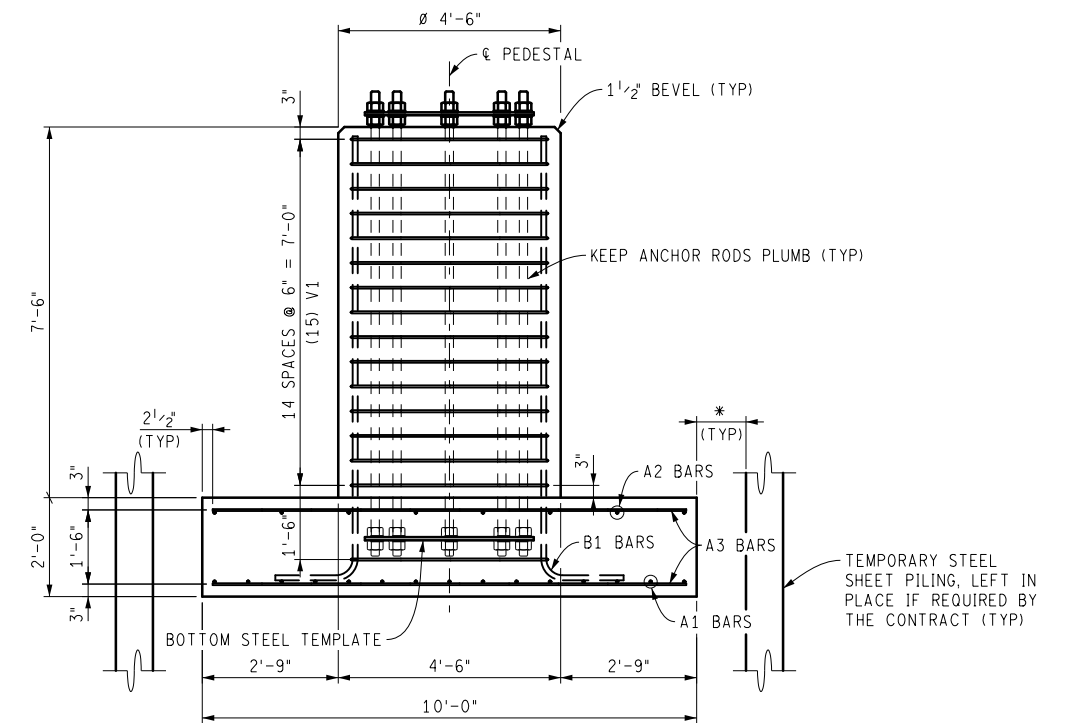
08/08/23
 PLAN DATE

SIGN-375-B

SHEET
 3 OF 6



SECTION A-A



SECTION B-B

* 0" MIN, 18" MAX, OR AS APPROVED BY THE ENGINEER

NOT TO SCALE

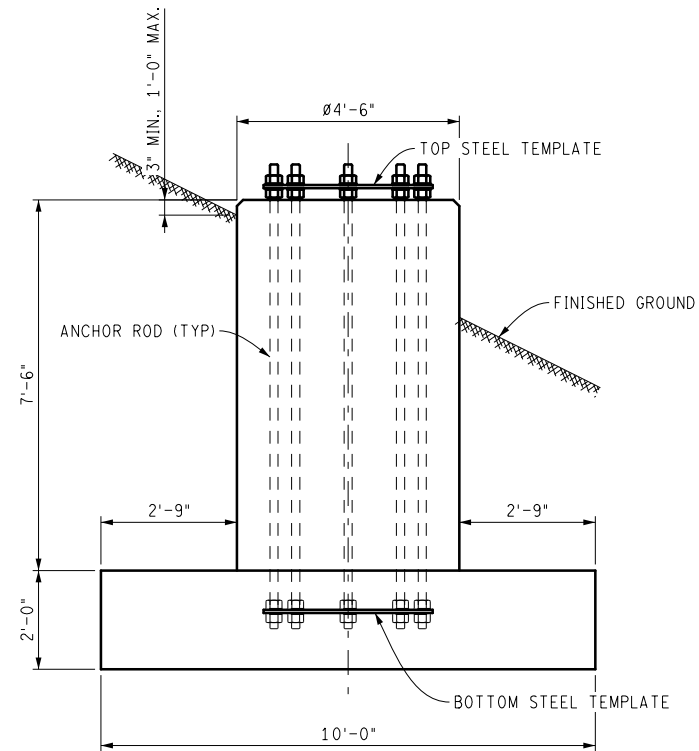
MICHIGAN DEPARTMENT OF TRANSPORTATION

(SPECIAL DETAIL)
 F.H.W.A. APPROVAL

08/08/23
 PLAN DATE

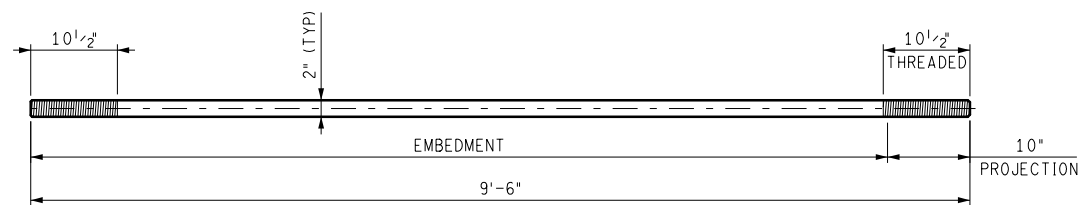
SIGN-375-B

SHEET
 4 OF 6



CROSS SECTION AT SHOULDER

NOTE: SEE SECTION A-A AND B-B FOR ADDITIONAL INFORMATION



ANCHOR ROD DETAIL

ANCHOR ROD TABLE	
STRUCTURE TYPE	NUMBER REQ'D
20 FT TO 30 FT TYPE J CANTILEVERS	12 EA
35 FT TO 40 FT TYPE J CANTILEVERS	14 EA

NUTS: 4 PER ANCHOR ROD
WASHERS: 4 PER ANCHOR ROD

NOT TO SCALE

MICHIGAN DEPARTMENT OF TRANSPORTATION

(SPECIAL DETAIL)
F.H.W.A. APPROVAL

08/08/23
PLAN DATE

SIGN-375-B

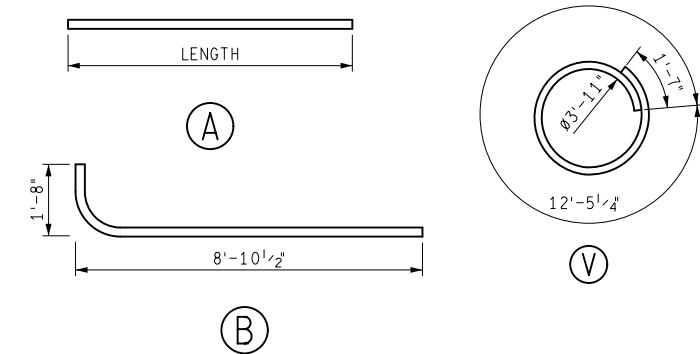
SHEET
5 OF 6

**STEEL REINFORCEMENT
(EPOXY COATED)**

BAR	BAR SIZE	LENGTH	NUMBER REQUIRED	WEIGHT (LBS)
A1	#8	17'-6"	16	748
A2	#5	17'-6"	16	292
A3	#5	9'-6"	38	377
B1	#10	10'-6 1/2"	14	635
V1	#4	14'-0 1/4"	16	150

CONCRETE QUANTITIES

FOOTING	13.4 CYD
PEDESTAL	4.5 CYD



NOTES:

THE DESIGN OF THIS FOUNDATION IS BASED ON THE AASHTO LRFDLTS-1 SPECIFICATIONS FOR STRUCTURAL SUPPORTS FOR HIGHWAY SIGNS, LUMINAIRES AND TRAFFIC SIGNALS, FIRST EDITION (2015), WITH 2017 TO 2022 INTERIM REVISIONS.

USE OF THESE DETAILS IS ONLY PERMITTED FOR FINISHED GRADES OF 1:3 OR FLATTER.

FOR SLOPES OF 1:6 OR FLATTER, DO NOT USE THIS FOOTING ON COHESIVE SOIL THAT HAS AN UNDRAINED SHEAR STRENGTH (S_u) OF LESS THAN 1250 PSF.

FOR SLOPES BETWEEN 1:3 TO 1:6, DO NOT USE THIS FOOTING ON COHESIVE SOIL THAT HAS AN UNDRAINED SHEAR STRENGTH (S_u) OF LESS THAN 1750 PSF.

DO NOT USE THIS FOOTING ON GRANULAR SOIL WITH STANDARD PENETRATION TEST N₆₀-VALUES LESS THAN 5.

IF STEEL SHEET PILING IS REQUIRED FOR CONSTRUCTION OF THE FOUNDATION, THEN STEEL SHEET PILING, TEMP, LEFT IN PLACE WILL BE PAID FOR SEPARATELY. THE STEEL SHEET PILING MUST BE LEFT IN PLACE AND CUT OFF 1' BELOW FINISHED GROUND.

A 3 1/2' SUBFOOTING MAY BE REQUIRED IF THE WATER TABLE IS HIGH OR WATER SEEPAGE INTO THE FOUNDATION EXCAVATION IS EXPECTED. THE CONCRETE FOR THE SUBFOOTING WILL BE PAID FOR SEPARATELY USING THE APPROPRIATE PAY ITEMS.

DIAMETER OF ROD HOLES IN TEMPLATES SHALL BE 1/16" LARGER THAN ANCHOR ROD DIAMETER.

DO NOT HAMMER ON ANCHOR RODS OR TEMPLATES.

AFTER THE TOP STEEL TEMPLATE IS REMOVED, THREAD NUTS ON TO RODS FLUSH WITH THE ROD END TO PROTECT THREADS UNTIL TRUSS IS ERECTED.

TEMPLATES MAY USE MULTIPLE PIECES JOINED BY TWO-SIDED COMPLETE JOINT PENETRATION WELDS, WITH WELDS AT LEAST 2" CLEAR OF ROD HOLES.

NOT TO SCALE

MICHIGAN DEPARTMENT OF TRANSPORTATION

(SPECIAL DETAIL)
F.H.W.A. APPROVAL

08/08/23
PLAN DATE

SIGN-375-B

SHEET
6 OF 6