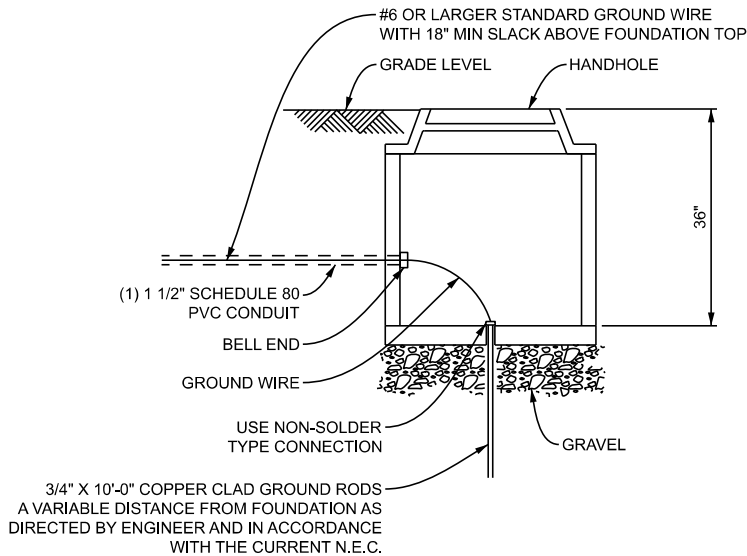
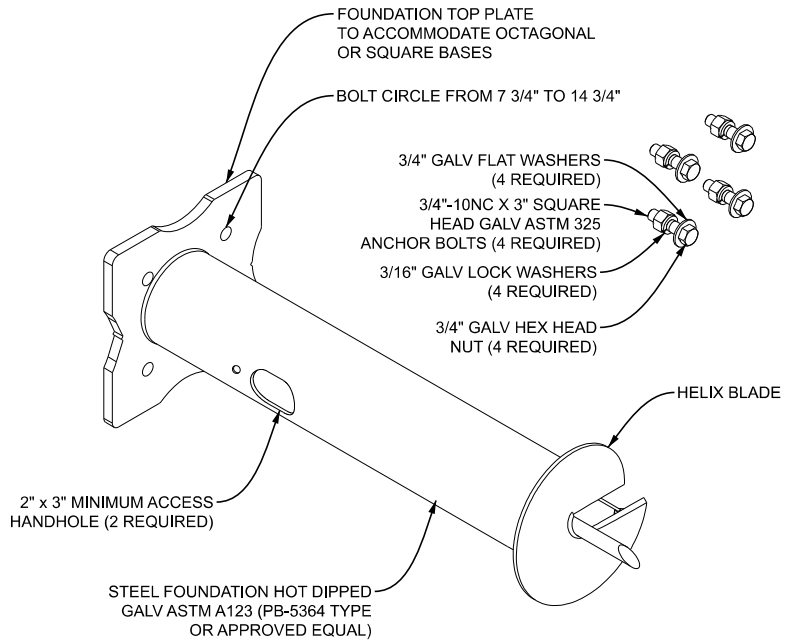


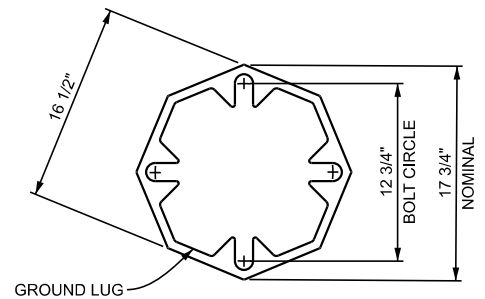
**A** DETAIL - HELIX FOUNDATION ANCHOR ASSEMBLY  
N.T.S. FOR PEDESTRIAN PUSHBUTTON PEDESTAL ONLY  
(REFER TO SIG-102-A)



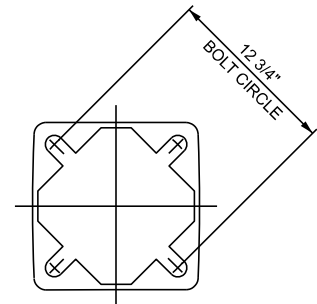
**D** DETAIL - HANDHOLE  
N.T.S.



**B** DETAIL - ISOMETRIC VIEW  
N.T.S.



**C** DETAIL - OCTAGONAL BASE BOTTOM PLAN  
N.T.S.



**E** DETAIL - SQUARE BASE BOTTOM PLAN  
N.T.S.

APPROVED BY: \_\_\_\_\_  
DIRECTOR, BUREAU OF FIELD SERVICES

APPROVED BY: \_\_\_\_\_  
DIRECTOR, BUREAU OF DEVELOPMENT



DEPARTMENT DIRECTOR  
BRADLEY C. WIEFERICH, PE

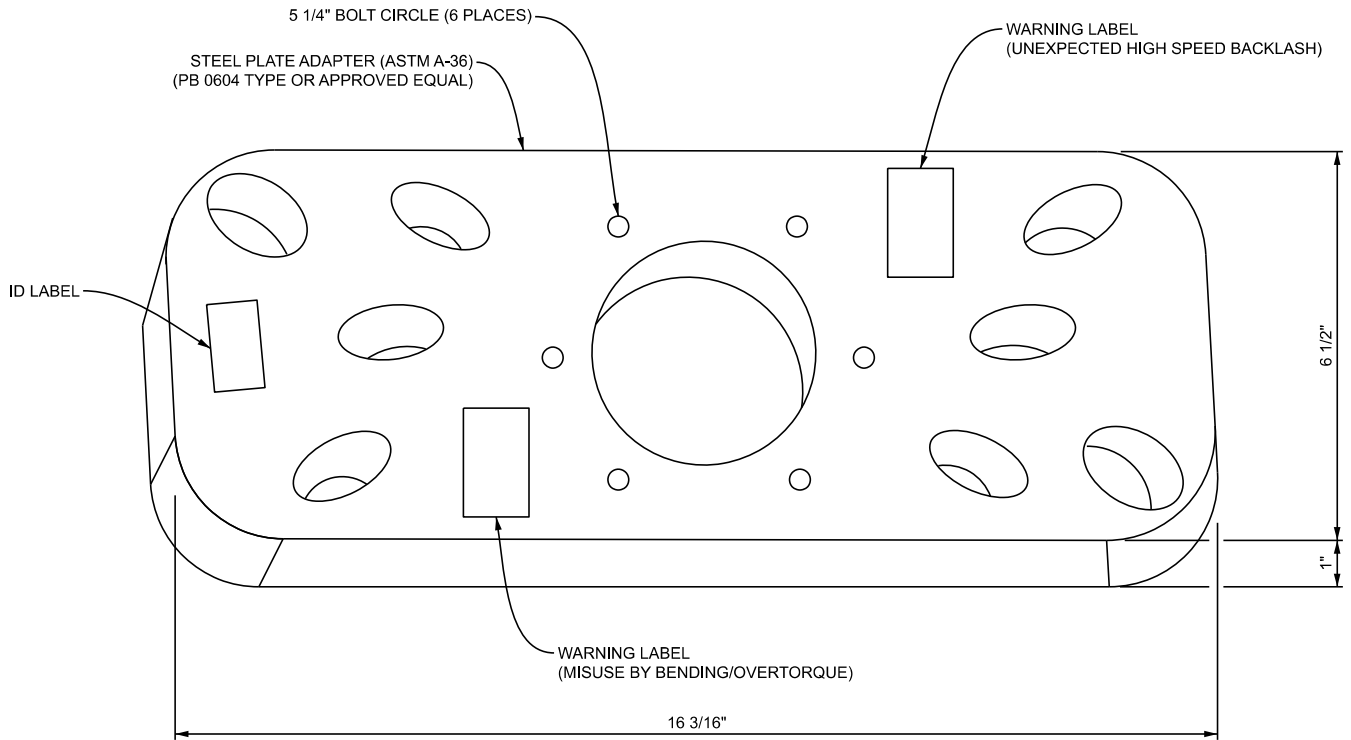
HELIX PEDESTAL  
FOUNDATION

(SPECIAL DETAIL)  
FHWA APPROVAL

10/29/2024  
PLAN DATE


OC-072-A

SHEET  
1 OF 2



**F** **DETAIL - STEEL DRIVER ADAPTER**  
 N.T.S. (FOR 4", 6", OR 8" SCREW IN FOUNDATION ANCHORS)

NOTE:  
 TYPICALLY THE DRIVER ADAPTER IS ATTACHED BETWEEN  
 THE KELLY BAR ADAPTER (HUB) ON THE DRILL EQUIPMENT  
 AND THE TOP PLATE OF THE FOUNDATION ANCHOR.

 DEPARTMENT DIRECTOR BRADLEY C. WIEFERICH, PE	<b>HELIX PEDESTAL          FOUNDATION</b>		<b>OC-072-A</b>	SHEET 2 OF 2
	(SPECIAL DETAIL) FHWA APPROVAL	10/29/2024 PLAN DATE		