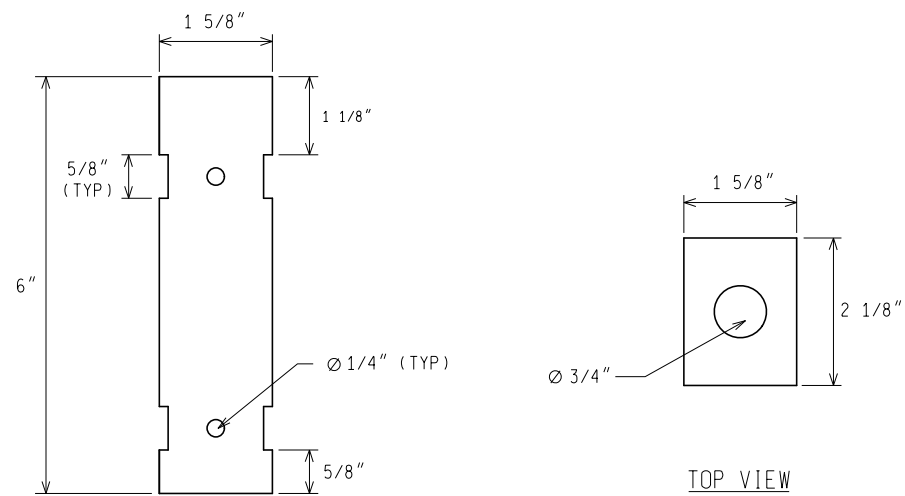


ANTENNA ATTACHMENT DETAIL (STEEL POLE)
FOR CELL MODEM TRANSMITTER



FRONT VIEW

CELL MODEM TRANSMITTER BRACKET DETAIL "A"

NOT TO SCALE

File: RefDoc/TR/Signals/Web/Sp Det/Fin/SIG131A.dgn Rev.



PREPARED BY
TRAFFIC AND SAFETY

DRAWN BY: DSP
CHECKED BY:

ENGINEER OF DELIVERY

ENGINEER OF DEVELOPMENT

(SPECIAL DETAIL)
FHWA APPROVAL DATE

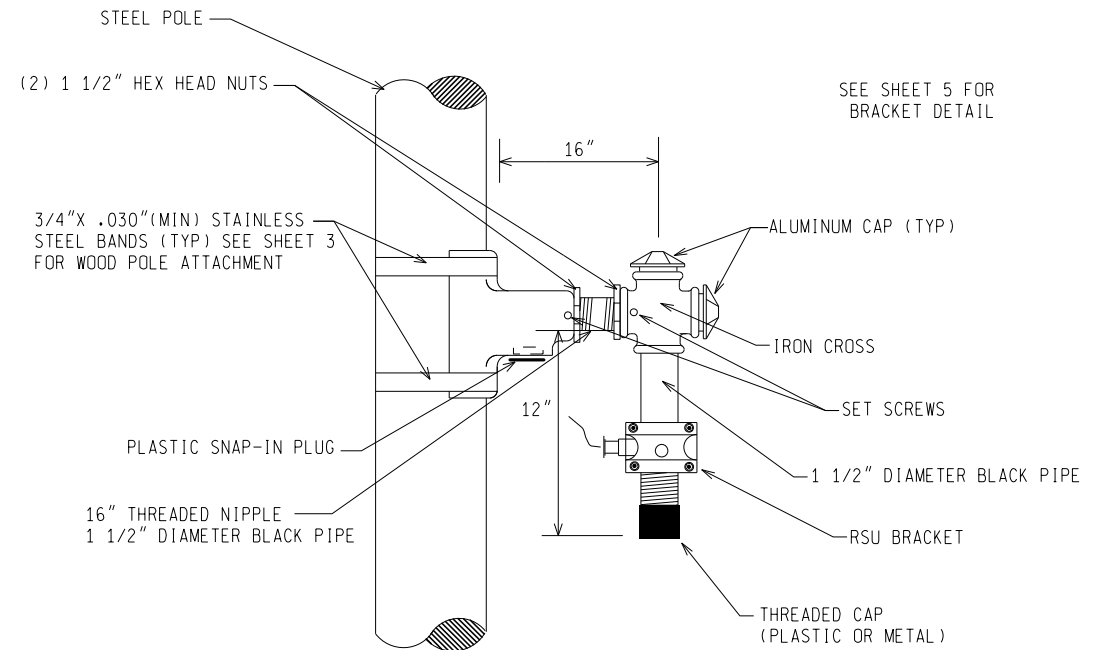
MICHIGAN DEPARTMENT OF TRANSPORTATION
BUREAU OF HIGHWAYS DELIVERY STANDARD PLAN FOR

CELL MODEM AND RSU
ATTACHMENT DETAIL

02/06/18
PLAN DATE

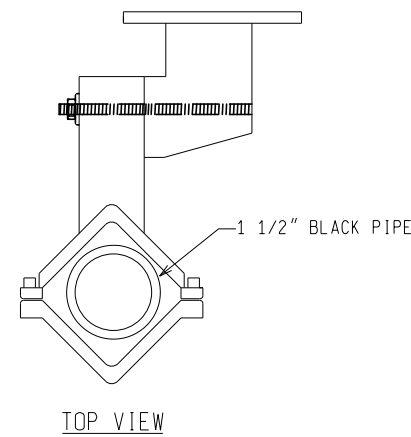
SIG-131-A

SHEET
1 of 3

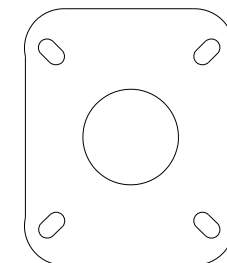


(* NOTE:
RSU SHALL BE MOUNTED
BETWEEN 19' AND 25'

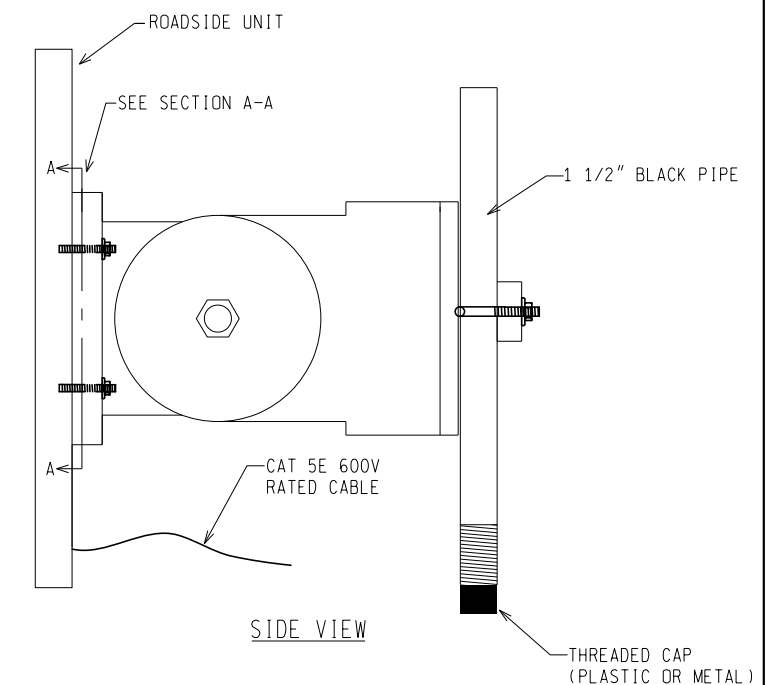
ANTENNA ATTACHMENT DETAIL (STEEL POLE)
FOR CELL MODEM TRANSMITTER



TOP VIEW



SECTION A-A



SIDE VIEW

NOT TO SCALE

MICHIGAN DEPARTMENT OF TRANSPORTATION
BUREAU OF HIGHWAYS DELIVERY STANDARD PLAN

(SPECIAL DETAIL)
FHWA APPROVAL DATE

File: RefDoc/TR/Signals/Web/Sp Det/Fin/SIG131A.dgn Rev.

02/06/18
PLAN DATE

SIG-131-A

SHEET
2 of 3

AS-LET PLAN REVISIONS

NO.	DATE	AUTH	DESCRIPTION	NO.	DATE	AUTH	DESCRIPTION



FILE:

DATE:
DESIGN UNIT:
TSC:

CS:
JN:

DRAWING SHEET

