

NOT TO SCALE

File: RefDoc/TR/Signals/Web/Sp Det/Fin/SIG430A.dgn Rev: 02/16/17



PREPARED BY
TRAFFIC AND SAFETY

DRAWN BY: DJF

CHECKED BY:

ENGINEER OF DELIVERY

ENGINEER OF DEVELOPMENT

(SPECIAL DETAIL)

FHWA APPROVAL DATE

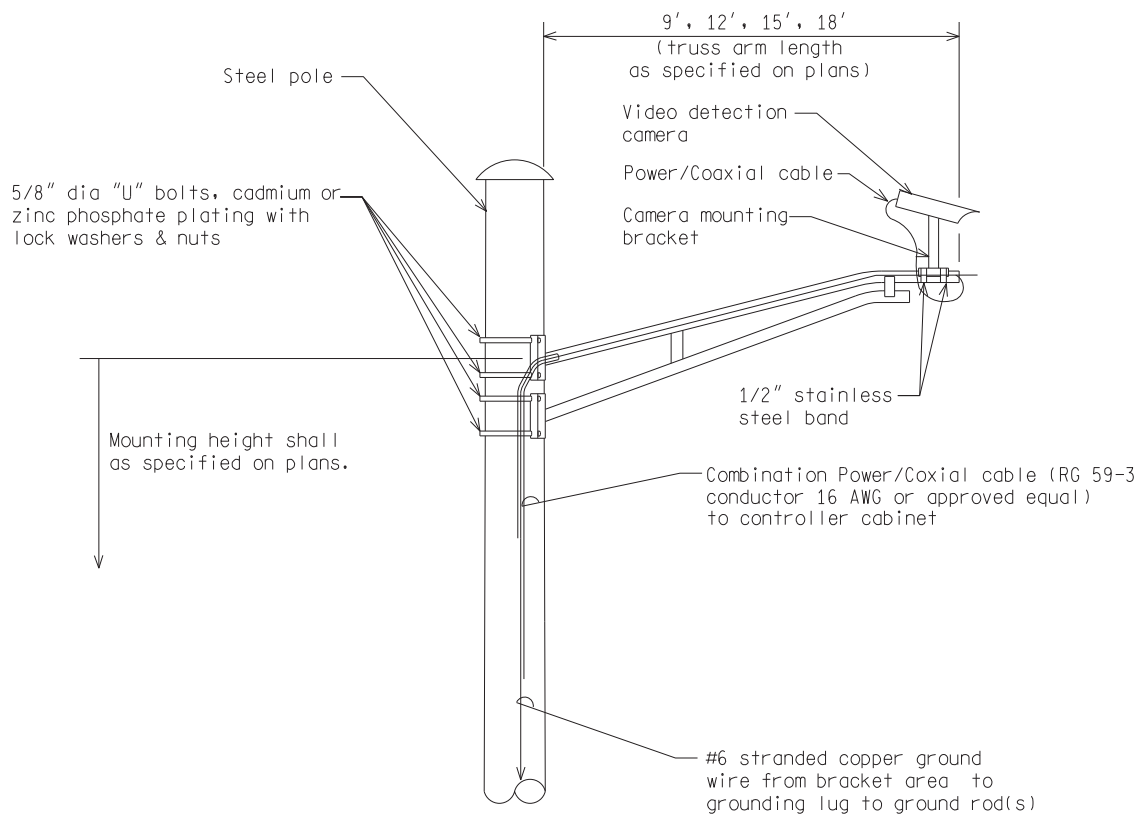
MICHIGAN DEPARTMENT OF TRANSPORTATION
BUREAU OF HIGHWAYS DELIVERY STANDARD PLAN FOR

**VIDEO DETECTION
CAMERA**

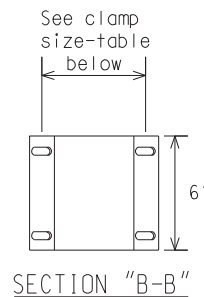
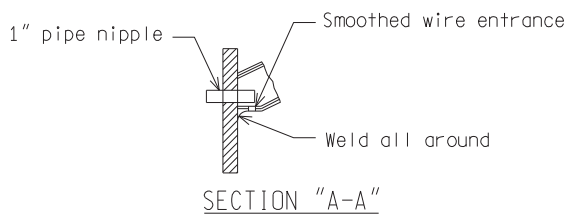
PLAN DATE

SIG-430-A

SHEET
1 of 2



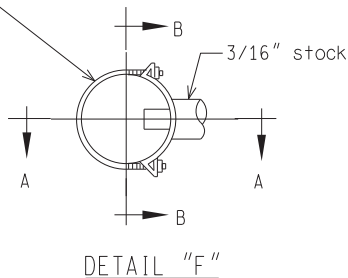
BRACKET TRUSS ARM MOUNTED CAMERA (STEEL POLE)



CLAMP SIZE TABLE

TYPE	POLE DIAMETER
A	3.6" - 4.5"
B	6.1" - 6.9"

(2) 5/8" dia. "U" bolts, cadmium or zinc phosphate plating with lockwashers & nuts.



NOT TO SCALE

MICHIGAN DEPARTMENT OF TRANSPORTATION
BUREAU OF HIGHWAYS DELIVERY STANDARD PLAN

(SPECIAL DETAIL)
FHWA APPROVAL DATE

PLAN DATE

SIG-430-A

SHEET
2 of 2