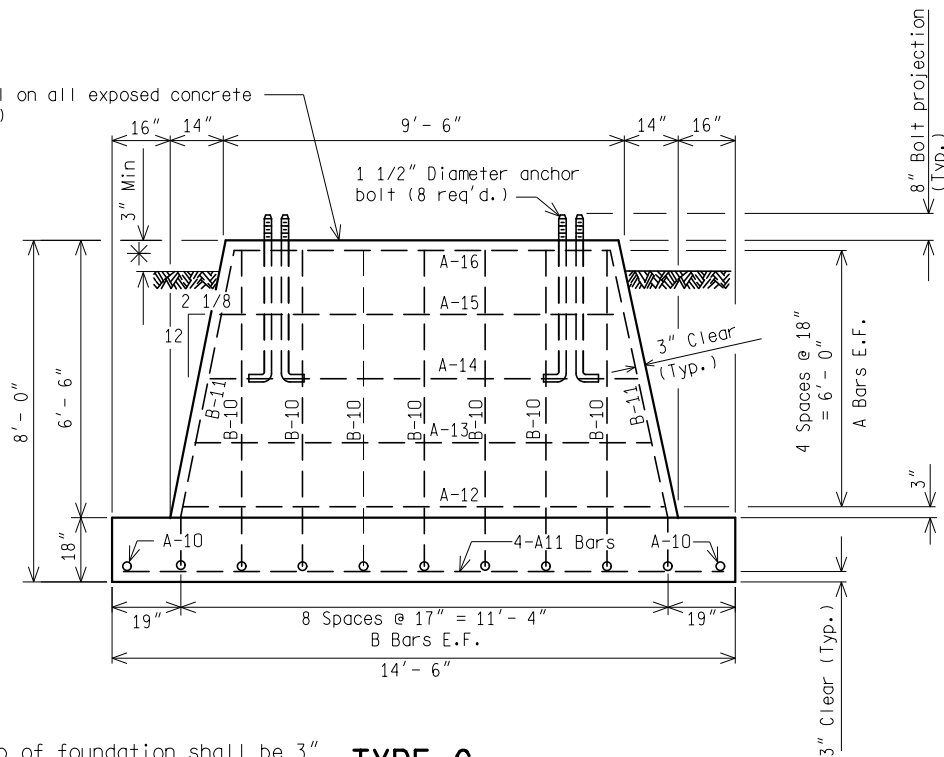


**TYPE C**  
PLAN

Direction of traffic

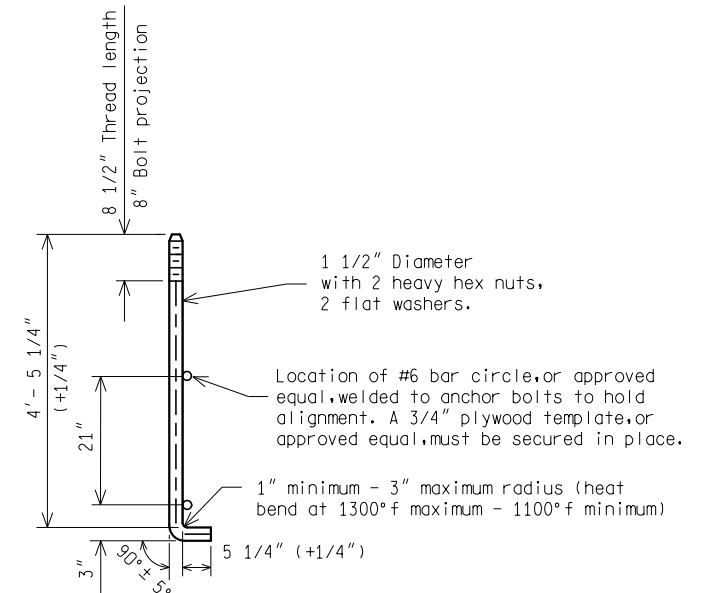
1 1/2" Bevel on all exposed concrete edges (Typ.)



**TYPE C**  
ELEVATION

TO BE USED FOR MAINTENANCE PURPOSES ONLY

\* The top of foundation shall be 3" ( $\pm 1"$ ) above the finished grade around the perimeter of the footing. The maximum slope along the width of the footing shall be 1 on 2.



**ANCHOR BOLT DETAIL**  
(FOR TYPE C)  
8 REQUIRED PER FOUNDATION

Steel Reinforcement			
Bar	Size	Dimensions	No Req.
A-10	#4	4'-0"	2
A-11	#4	14'-0"	4
A-12	#4	11'-3"	2
A-13	#4	10'-8"	2
A-14	#4	10'-2"	2
A-15	#4	9'-7"	2
A-16	#4	9'-1"	2
B-10	#4	7'-7"   3'-0"	14
B-11	#4	7'-7"   3'-0"	4

**TYPE C**  
10 cu. yd CONC.  
237 lbs REINF. STEEL

NOTES: (For type C)

- Top of concrete shall be 3" min. above ground.
- Anchor bolts shall be carefully set and held vertically at the correct location and at the proper elevation with a 3/4" plywood (or approved equal) template until concrete has set. Each set of four bolts shall be tied together by welding into a basket with #6 bar circle or approved equal along with securing a 3/4" plywood (or approved equal) template in place prior to being approved by MDOT for shipping (see anchor bolt detail sheet #2).
- Anchor bolts, nuts, and washers shall be per section 908.14 of the MDOT Standard Specifications for Construction. A minimum of 3 threads shall show above the top of the nut after tightening.
- For truss foundation in concrete barrier, double face, refer to road standard plan R-51-Series.

NOT TO SCALE

<p>PREPARED BY DESIGN DIVISION DRAWN BY: DHD CHECKED BY: AJU</p>	<p>DEPARTMENT DIRECTOR Paul C. Ajegba</p>	<p>MICHIGAN DEPARTMENT OF TRANSPORTATION BUREAU OF DEVELOPMENT STANDARD PLAN FOR</p>			
	<p>APPROVED BY: _____ DIRECTOR, BUREAU OF FIELD SERVICES</p>	<p><b>TRUSS FOUNDATION</b> <b>TYPE C</b></p>			
	<p>APPROVED BY: _____ DIRECTOR, BUREAU OF DEVELOPMENT</p>	<p>---/---/--- F.H.W.A. APPROVAL</p>	<p>12/17/13 PLAN DATE</p>	<p>SIGN-600-B</p>	<p>SHEET 1 OF 2</p>

<p>MICHIGAN DEPARTMENT OF TRANSPORTATION BUREAU OF DEVELOPMENT STANDARD PLAN</p>	<p>---/---/--- F.H.W.A. APPROVAL</p>	<p>12/17/13 PLAN DATE</p>	<p>SIGN-600-B</p>	<p>SHEET 2 OF 2</p>
--	--	-------------------------------	-------------------	-------------------------

NOTE: THE ORIGINAL SIGNED COPY IS KEPT ON FILE AT THE MICHIGAN DEPARTMENT OF TRANSPORTATION.

AS-LET PLAN REVISIONS							
NO.	DATE	AUTH	DESCRIPTION	NO.	DATE	AUTH	DESCRIPTION



DATE:	CS:	DRAWING	SHEET
DESIGN UNIT:	JN:		
FILE:	TSC:		