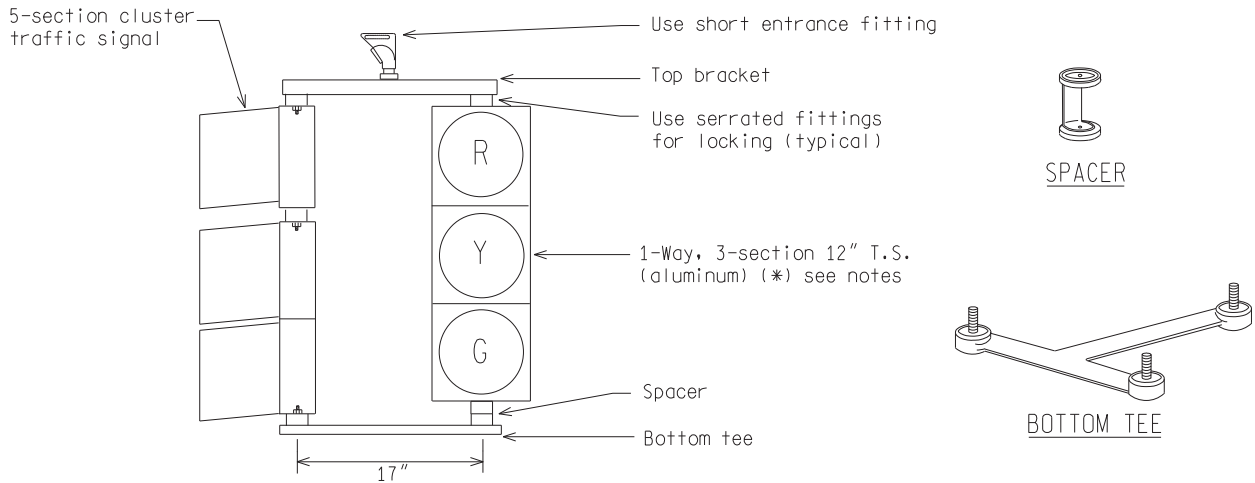
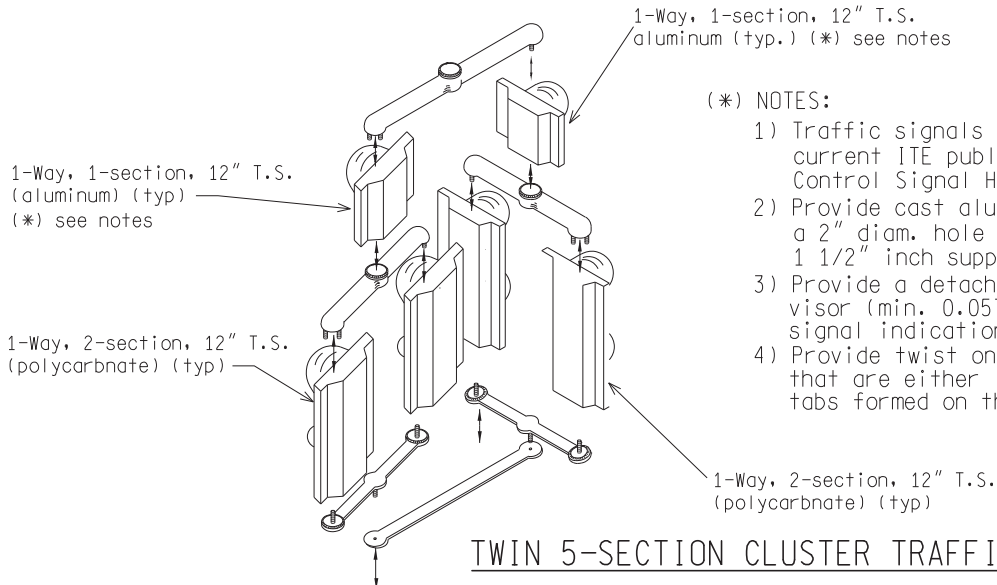


5-SECTION CLUSTER (DOGHOUSE) TRAFFIC SIGNAL



COMBINATION 5-SECTION CLUSTER & 1-WAY T.S. (ALUMINUM)



(*) NOTES:

- 1) Traffic signals must conform to the current ITE publication "Vehicle Traffic Control Signal Heads."
- 2) Provide cast aluminum alloy housings with a 2" diam. hole top and bottom to receive 1 1/2" inch supporting pipe.
- 3) Provide a detachable, sheet aluminum visor (min. 0.057" thick), for each signal indication.
- 4) Provide twist on slots for visor mounting that are either in the visor or on the tabs formed on the visor.

TWIN 5-SECTION CLUSTER TRAFFIC SIGNAL

NOT TO SCALE

File: RefDoc/TR/Signals/Web/Sp Det/Fin/SIG302A.dgn Rev. 02/16/17



PREPARED BY
TRAFFIC AND SAFETY

DRAWN BY: DJF

CHECKED BY:

ENGINEER OF DELIVERY

ENGINEER OF DEVELOPMENT

(SPECIAL DETAIL)
FHWA APPROVAL DATE

MICHIGAN DEPARTMENT OF TRANSPORTATION
BUREAU OF HIGHWAYS DELIVERY STANDARD PLAN FOR

**BRACKETING FOR
5-SECTION HEADS**

PLAN DATE

SIG-302-A

SHEET
1 of 1