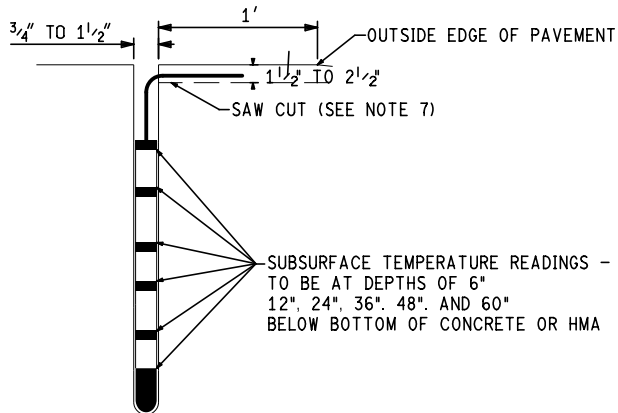


TYPICAL ROAD SENSORS DETAIL

SCALE: NTS



TYPICAL SUBSURFACE TEMPERATURE PROBE

SCALE: NTS

NOTES:

1. SENSOR CABLES SHALL RUN FROM REMOTE PROCESSING UNIT (RPU) CABINET TO SENSOR WITHOUT SPLICES. HH, ROUND TO BE USED AS PULL BOXES FOR EASY INSTALLATION AND MAINTENANCE.
2. PAVEMENT CUT TO BE NORMAL SAW BLADE SIZE TO HOLD SENSOR CABLE. PAVEMENT CUT SHALL BE FILLED WITH APPROPRIATE FLEXIBLE SEALANT PER THE SPECIAL PROVISION FOR PAVEMENT SENSOR.
3. ALL ESS SENSORS, EQUIPMENT AND INSTRUMENT CABLE, ESS SENSOR SHALL BE PAID FOR UNDER THE PAVEMENT SENSOR, INVASIVE CONDITION AND SUBSURFACE TEMPERATURE PROBE PAY ITEMS.
4. THE CONDITIONS OF THE MATERIALS UNDERNEATH THE ROADWAY SURFACE ARE UNKNOWN AND ANY COSTS INCURRED WHILE INSTALLING EQUIPMENT IN ROADWAY SHALL BE PAID FOR UNDER THE PAVEMENT SENSOR, INVASIVE CONDITION OR SUBSURFACE TEMPERATURE PROBE PAY ITEMS.
5. SUBSURFACE PROBE SHALL BE PLACED 1' FROM THE OUTSIDE EDGE OF SHOULDER. FINAL PLACEMENT SHALL BE APPROVED BY THE ENGINEER.
6. INVASIVE PAVEMENT SENSOR MUST BE A MINIMUM OF THREE FEET FROM EDGE OF TRAVEL LANE, OR AS RECOMMENDED BY THE MANUFACTURER.
7. PAVEMENT CUT TO BE NORMAL SAW BLADE SIZE TO HOLD SENSOR CABLE. PAVEMENT CUT SHALL BE FILLED WITH APPROPRIATE FLEXIBLE SEALANT PER THE SPECIAL PROVISION FOR SUBSURFACE TEMPERATURE PROBE.

Rev.

NOT TO SCALE

File: External Partnerships/ITS Program Office/ITS Standard Details/Environmental Sensor Station/ITS-050-A Road Sensor.dgn



PREPARED BY
DESIGN DIVISION

ENGINEER OF DELIVERY

ENGINEER OF DEVELOPMENT

DRAWN BY:

(SPECIAL DETAIL)

CHECKED BY:

FHWA APPROVAL DATE

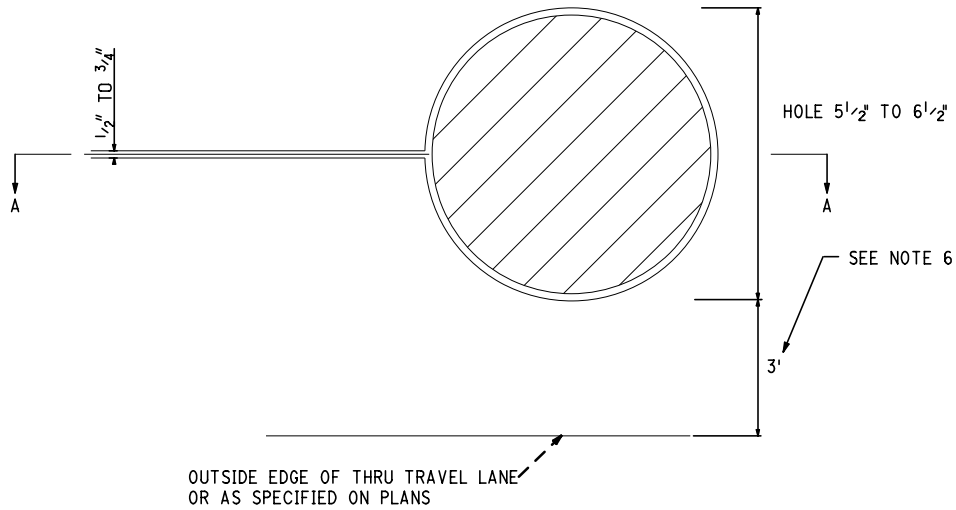
MICHIGAN DEPARTMENT OF TRANSPORTATION
BUREAU OF DEVELOPMENT STANDARD PLAN FOR

ROAD SENSORS

01/12/17
PLAN DATE

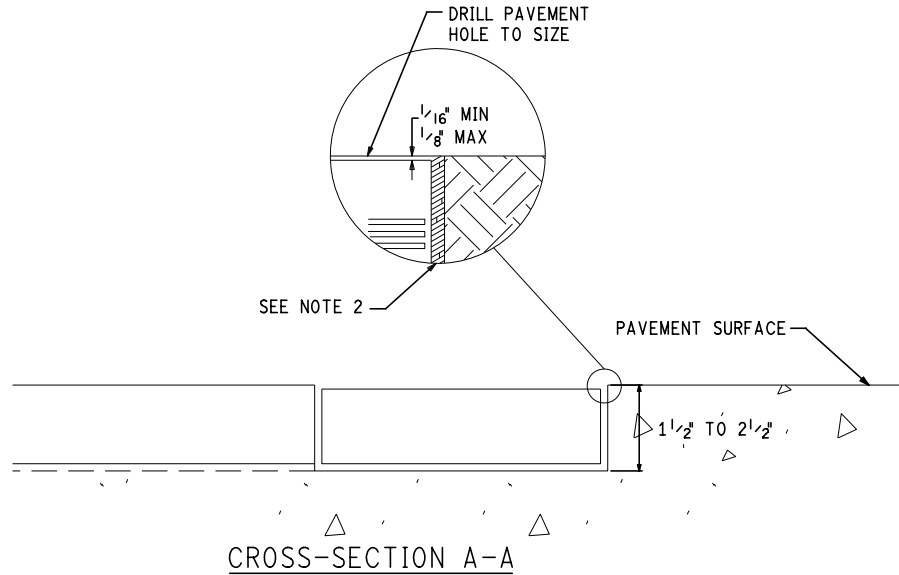
ITS-050-A

SHEET
1 of 2



TYPICAL PAVEMENT SENSOR, INVASIVE CONDITION

PLAN VIEW
SCALE: NTS



TYPICAL PAVEMENT SENSOR, INVASIVE CONDITION

ELEVATION VIEW
SCALE: NTS

Rev.

NOT TO SCALE

File: External Partnerships/ITS Program Office/ITS Standard Details/Environmental Sensor Station/ITS-050-A Road Sensor.dgn

MICHIGAN DEPARTMENT OF TRANSPORTATION
BUREAU OF DEVELOPMENT STANDARD PLAN

(SPECIAL DETAIL)
FHWA APPROVAL DATE

01/12/17
PLAN DATE

ITS-050-A

SHEET
2 of 2