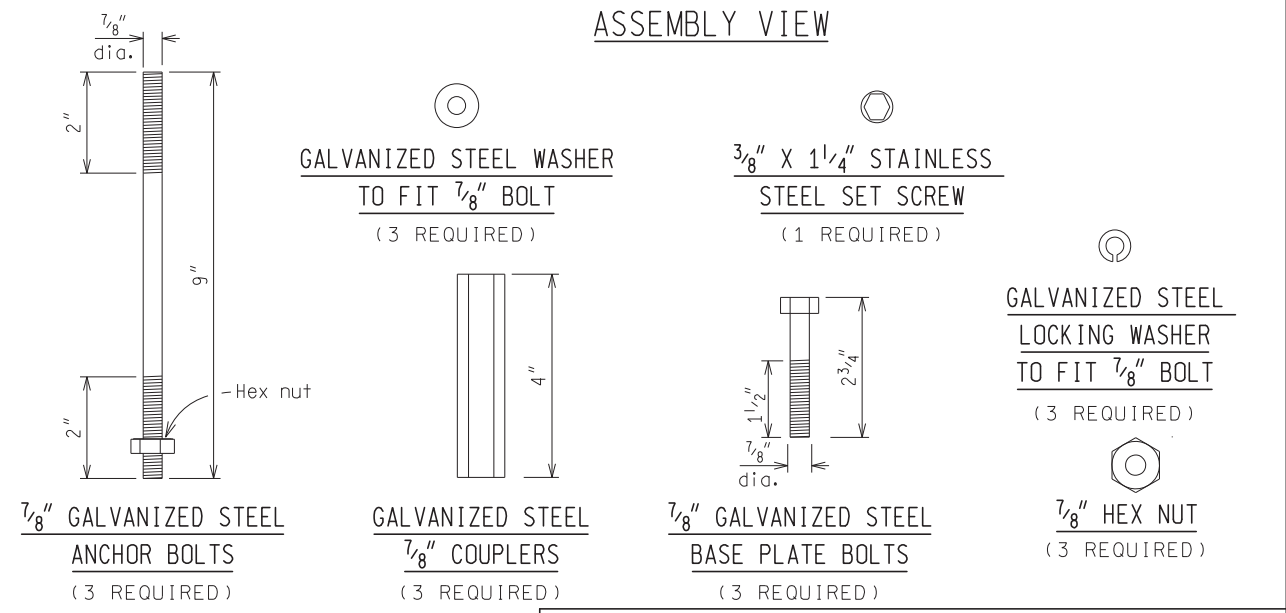


- NOTE:
- 1) Anchor bolts, steel couplers, and base plate bolts shall conform to ASTM F1554, Grade 36 (hot dipped galvanized)
  - 2) All flat washers, lock washers and hex nuts are (hot dipped) galvanized

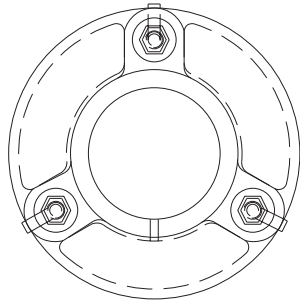
ISOMETRIC VIEW

ASSEMBLY VIEW

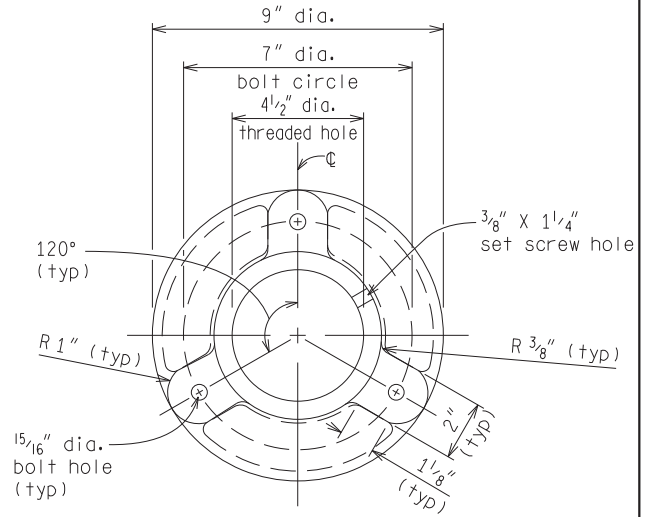


NOT TO SCALE File: RefDoc/TR/Signals/Web/Sp Det/Fin/SIG071A.dgn Rev. 02/16/17

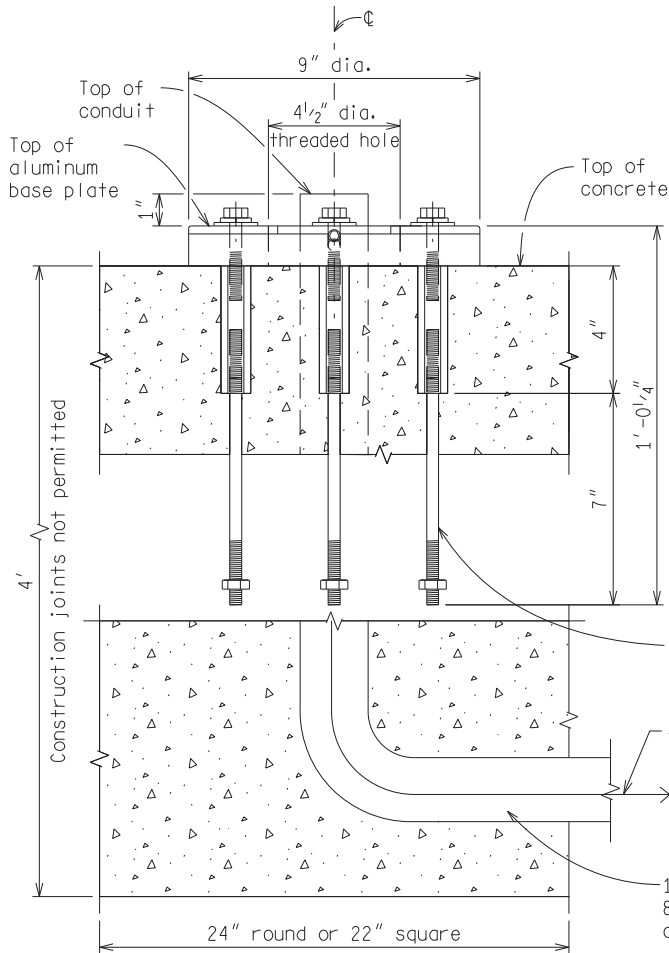
<p>PREPARED BY TRAFFIC AND SAFETY</p>	<p>ENGINEER OF DELIVERY</p>	<p>MICHIGAN DEPARTMENT OF TRANSPORTATION BUREAU OF HIGHWAYS DELIVERY STANDARD PLAN FOR <b>PEDESTAL BASE</b> ALTERNATE ANCHORAGE DETAILS</p>	
	<p>ENGINEER OF DEVELOPMENT (SPECIAL DETAIL) FHWA APPROVAL DATE</p>		



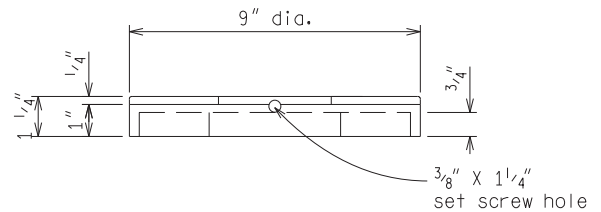
**TOP VIEW**  
(ASSEMBLED)



**TOP VIEW**  
(ROUND ALUMINUM BASE PLATE)

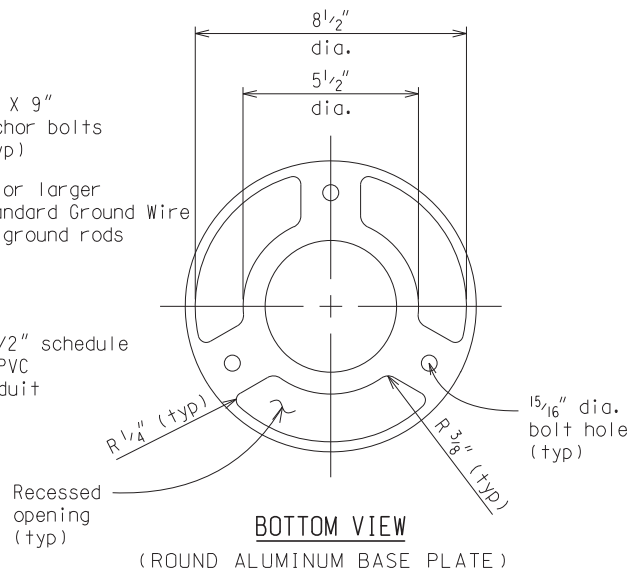


**FRONT VIEW**  
(ASSEMBLED)



**FRONT VIEW**  
(ROUND ALUMINUM BASE PLATE)

NOTE: WHERE THE 1 1/2" CONDUIT DOES NOT FEED INTO A HANDHOLE, INSTALL AN ADDITIONAL 3/4" SCHEDULE 80 PVC CONDUIT FOR GROUNDING. 3/4" X 10'-0" COPPER CLAD GROUND RODS IN ACCORDANCE WITHIN THE CURRENT N.E.C.



**BOTTOM VIEW**  
(ROUND ALUMINUM BASE PLATE)

NOT TO SCALE

MICHIGAN DEPARTMENT OF TRANSPORTATION  
BUREAU OF HIGHWAYS DELIVERY STANDARD PLAN

(SPECIAL DETAIL)  
FHWA APPROVAL DATE

File: RefDoc/TR/Signals/Web/Sp Det/Fin/SIG071A.dgn

Rev. 02/16/17

PLAN DATE

SIG-071-A

SHEET  
2 of 2