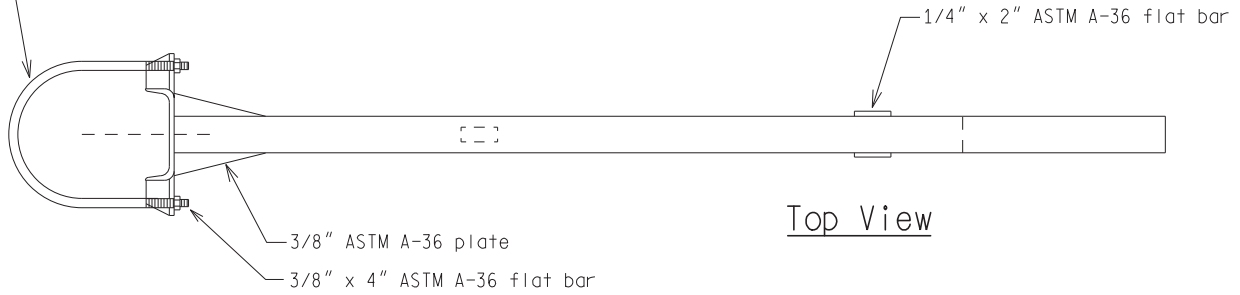
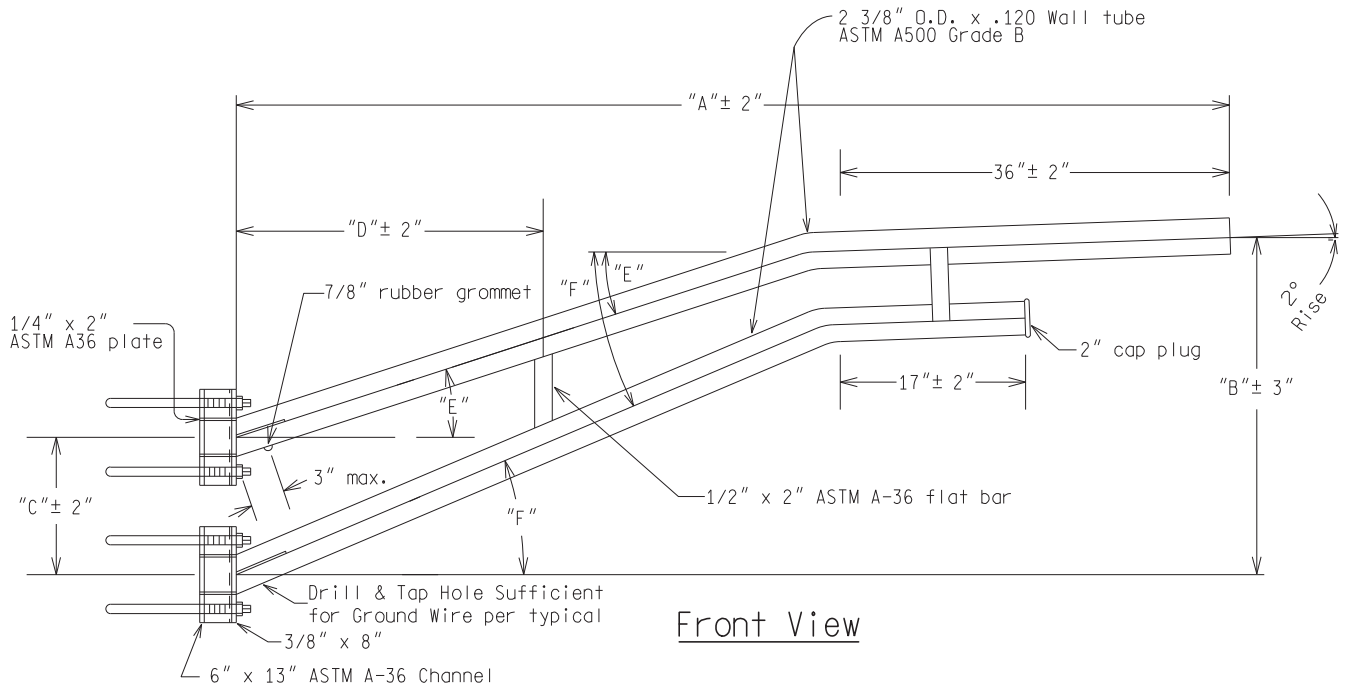


5/8"-11 x 8" U-bolt w/Hex nut, flat & lock washer for poles with a diameter range from 8 1/2" to 9 1/8"
 or
 3/4"-10 x 10" U-bolt w/Hex nut, flat & lock washer for poles with a diameter range from 9 1/8" to 10 1/4"



Top View



Front View

Steel Pole Mount Truss Bracket Assembly

"Dimensions" Size Table

A	B	C	D	E	F
18' - 0"	81 3/4"	21 3/4"	84"	18°	23°
15' - 0"	66"	18"	66"	18°	23°
12' - 0"	50 3/8"	14 1/4"	54"	18°	23°
9' - 0"	36 3/4"	12"	36"	18°	23°
6' - 0"	23"	10"	18"	18°	27°

NOT TO SCALE

File: RefDoc/TR/Signals/Web/Sp Det/Fin/SIG060A.dgn Rev: 02/16/17



PREPARED BY
TRAFFIC AND SAFETY

DRAWN BY: JAM

CHECKED BY:

ENGINEER OF DELIVERY

ENGINEER OF DEVELOPMENT

(SPECIAL DETAIL)

FHWA APPROVAL DATE

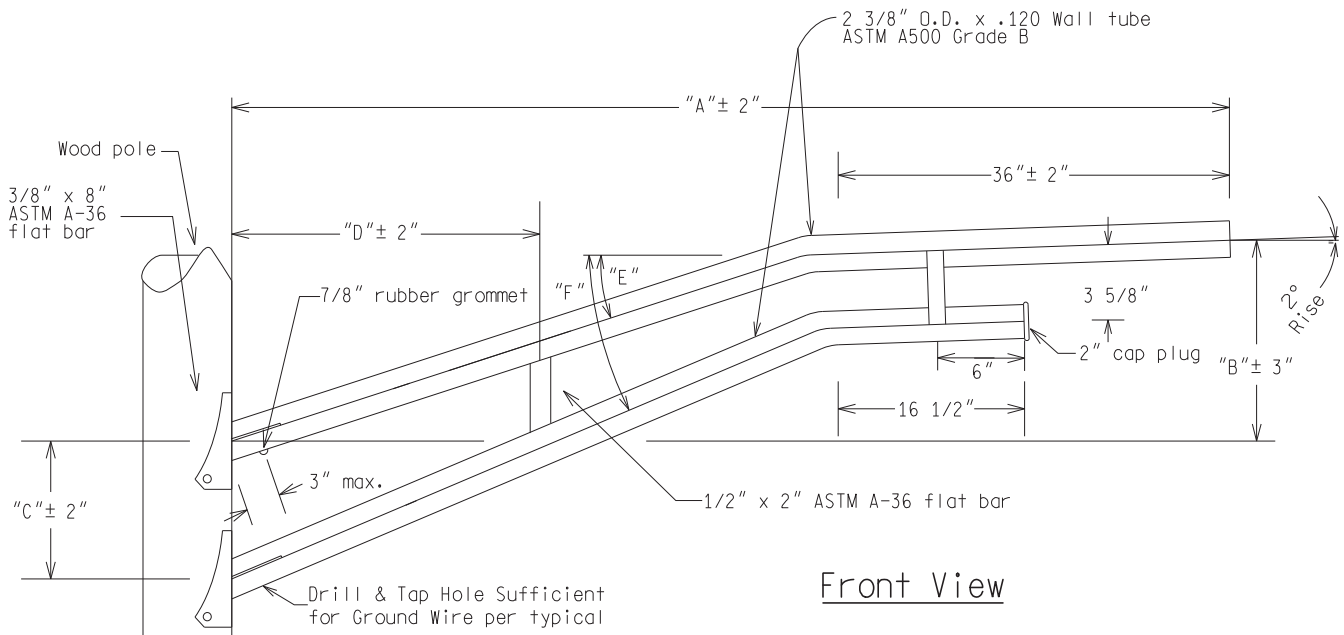
MICHIGAN DEPARTMENT OF TRANSPORTATION
BUREAU OF HIGHWAYS DELIVERY STANDARD PLAN FOR
STEEL TRUSS BRACKETS

PLAN DATE

SIG-060-A

SHEET
1 of 3

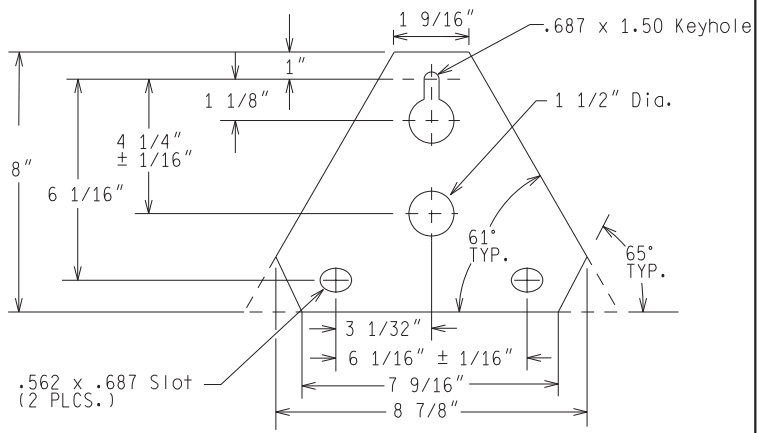
Ensure each plate incorporates two 0.562 inch slot holes and one 0.687 x 1.50 inch keyhole for lagging to the wood pole



Wood Pole Mount Truss Bracket Assembly

"Dimensions" Size Table

A	B	C	D	E	F
15' - 0"	47 3/4"	18"	66"	18°	23°
12' - 0"	36"	14 3/8"	48"	18°	23°
9' - 0"	26 3/8"	12"	36"	18°	23°
6' - 0"	12 1/2"	8 1/2"	18"	18°	23°



NOT TO SCALE

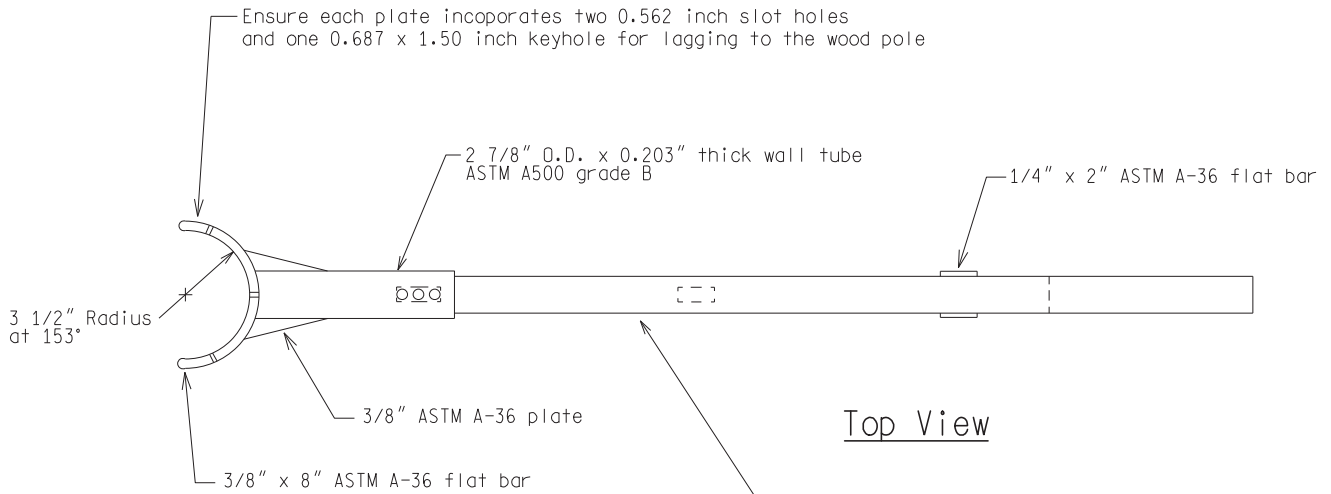
MICHIGAN DEPARTMENT OF TRANSPORTATION
BUREAU OF HIGHWAYS DELIVERY STANDARD PLAN

(SPECIAL DETAIL)
FHWA APPROVAL DATE

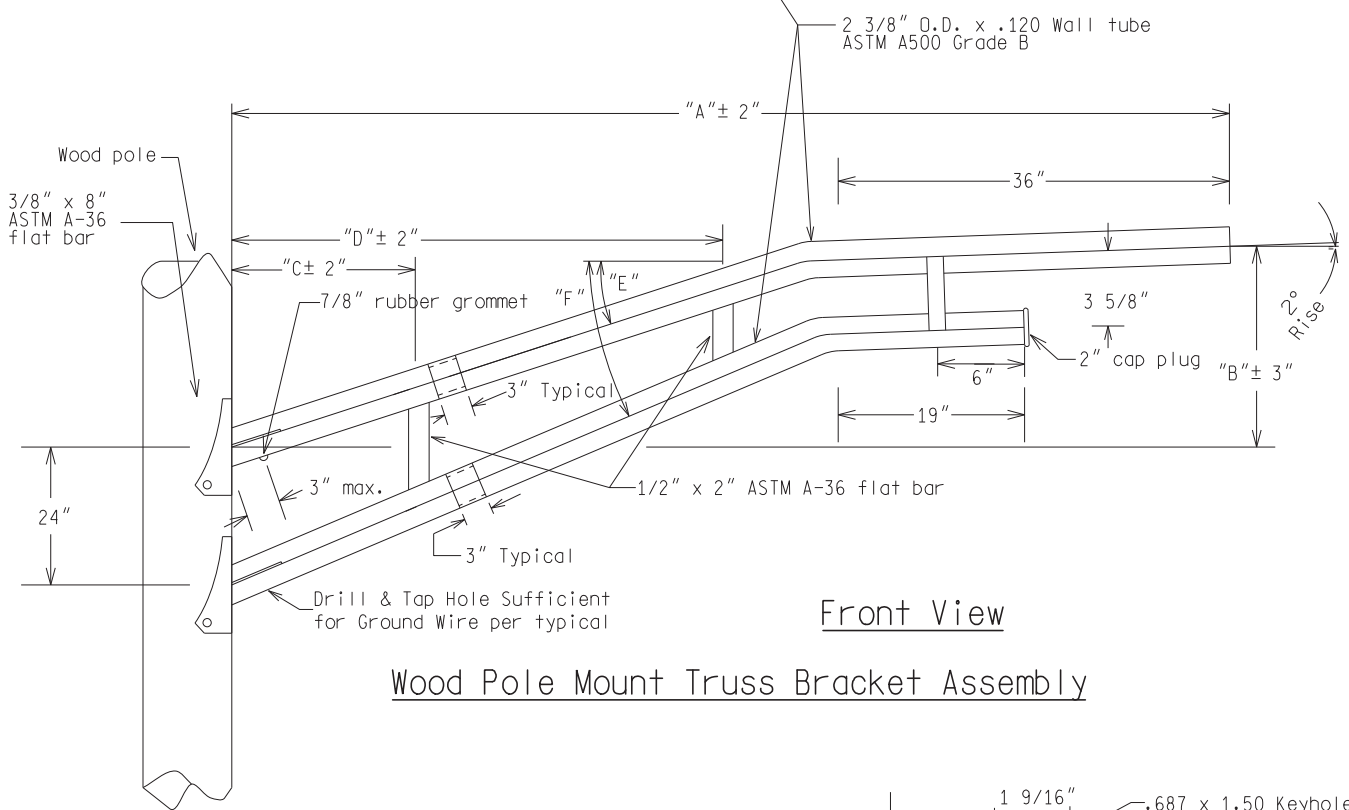
PLAN DATE

SIG-060-A

SHEET
2 of 3



Top View

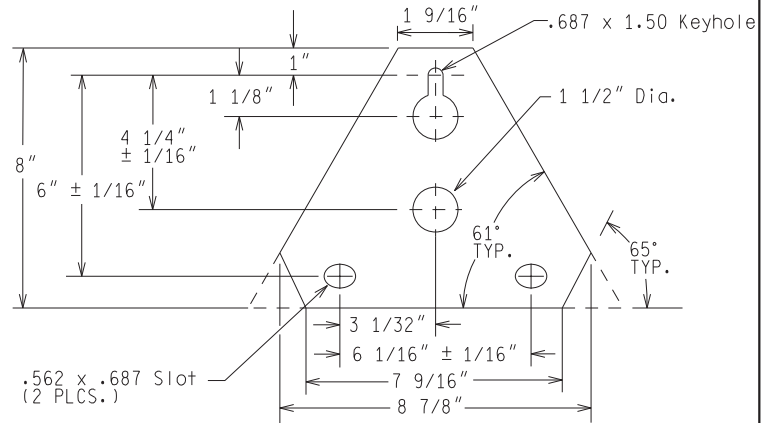


Front View

Wood Pole Mount Truss Bracket Assembly

"Dimensions" Size Table

A	B	C	D	E	F
17'-6"	60"	28"	80"	19°	26°



Mounting Plate Detail

NOT TO SCALE

MICHIGAN DEPARTMENT OF TRANSPORTATION
BUREAU OF HIGHWAYS DELIVERY STANDARD PLAN

(SPECIAL DETAIL)
FHWA APPROVAL DATE

PLAN DATE

SIG-060-A

SHEET
3 of 3