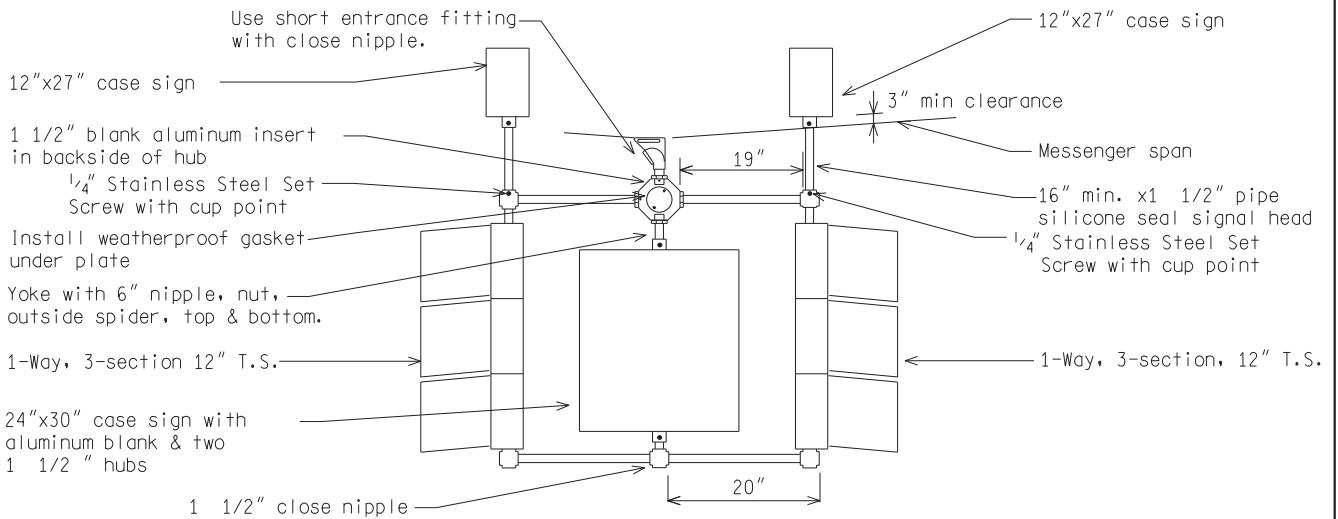
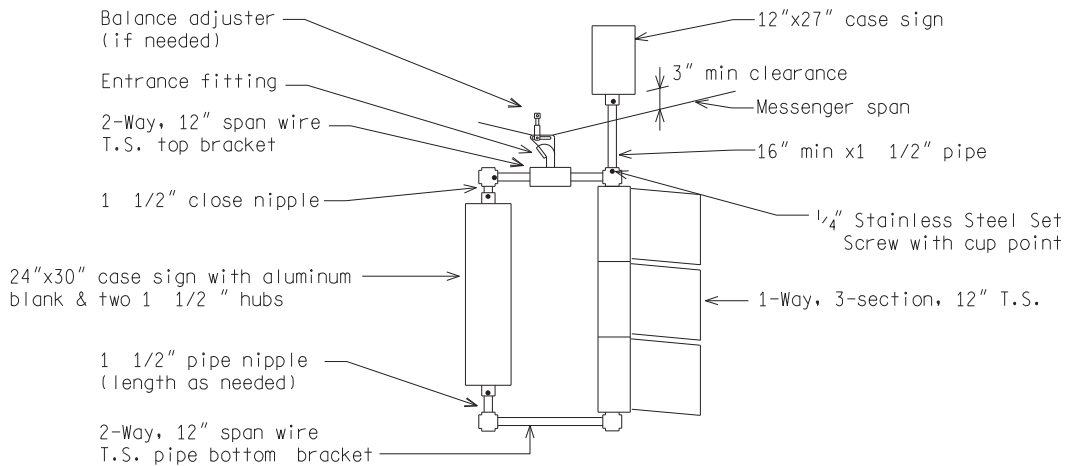


PREFERRED METHOD 2-WAY T.S./CASE SIGN COMBINATION BELOW HUB



(ALTERNATE) 2-WAY T.S./CASE SIGN COMBINATION ABOVE HUB



1-WAY T.S./CASE SIGN COMBINATION ABOVE HUB

NOT TO SCALE

File: RefDoc/TR/Signals/Web/Sp Det/Fin/SIG311A.dgn Rev: 02/16/17



PREPARED BY
TRAFFIC AND SAFETY

DRAWN BY: DJF

CHECKED BY:

ENGINEER OF DELIVERY

ENGINEER OF DEVELOPMENT

(SPECIAL DETAIL)

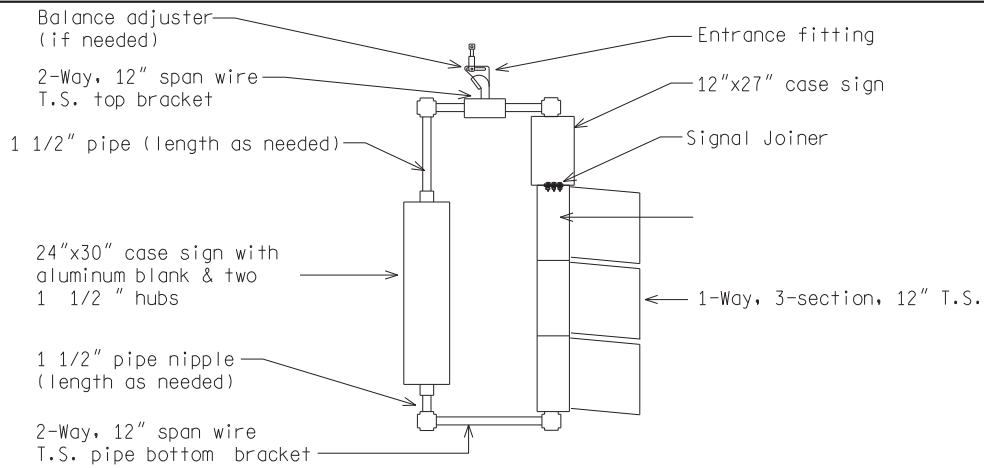
FHWA APPROVAL DATE

MICHIGAN DEPARTMENT OF TRANSPORTATION
BUREAU OF HIGHWAYS DELIVERY STANDARD PLAN FOR
**BRACKETING FOR SIGNAL
HEAD/CASE SIGN COMBINATIONS**

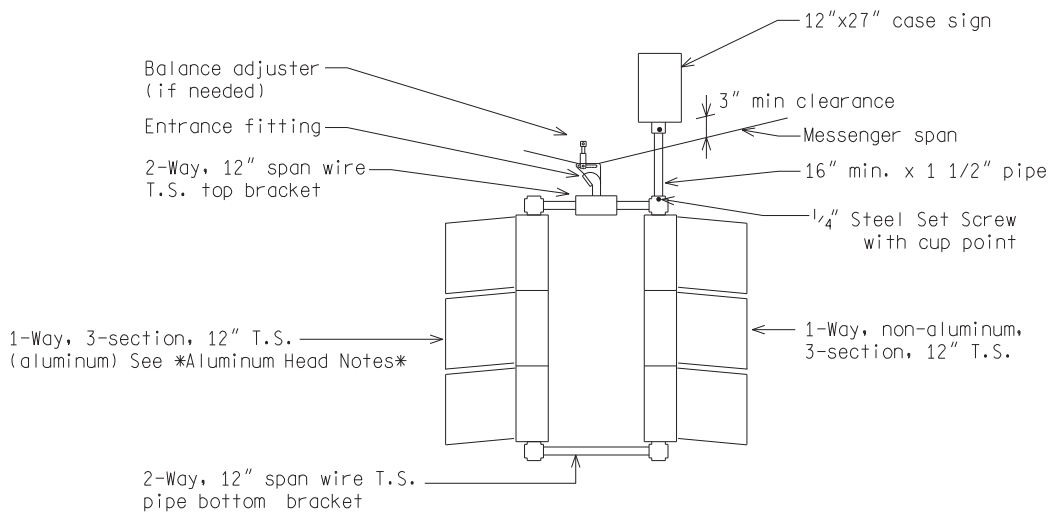
PLAN DATE

SIG-311-A

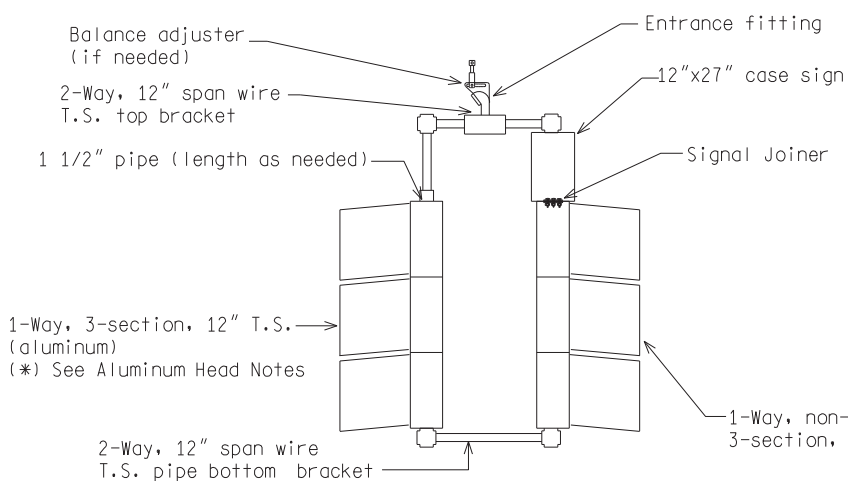
SHEET
1 of 5



1-WAY T.S./CASE SIGN COMBINATION BELOW HUB



1-WAY (ALUMINUM) & 1-WAY T.S./CASE SIGN COMBINATION ABOVE HUB



- (*) Aluminum Head Notes:
- 6) Traffic signals must conform to the requirements of the current ITE publication "Vehicle Traffic Control Signal Heads."
 - 7) Provide cast alum. alloy housings with a 2" diam. hole top & bottom to receive 1 1/2" supporting pipe.
 - 8) Provide a detachable, sheet alum. visor (min. 0.057" thick), for each signal indication.
 - 9) Provide twist on slots for visor mounting that are either in the visor or on the tabs formed on the visor.

1-WAY (ALUMINUM) & 1-WAY T.S./CASE SIGN COMBINATION BELOW HUB

NOT TO SCALE

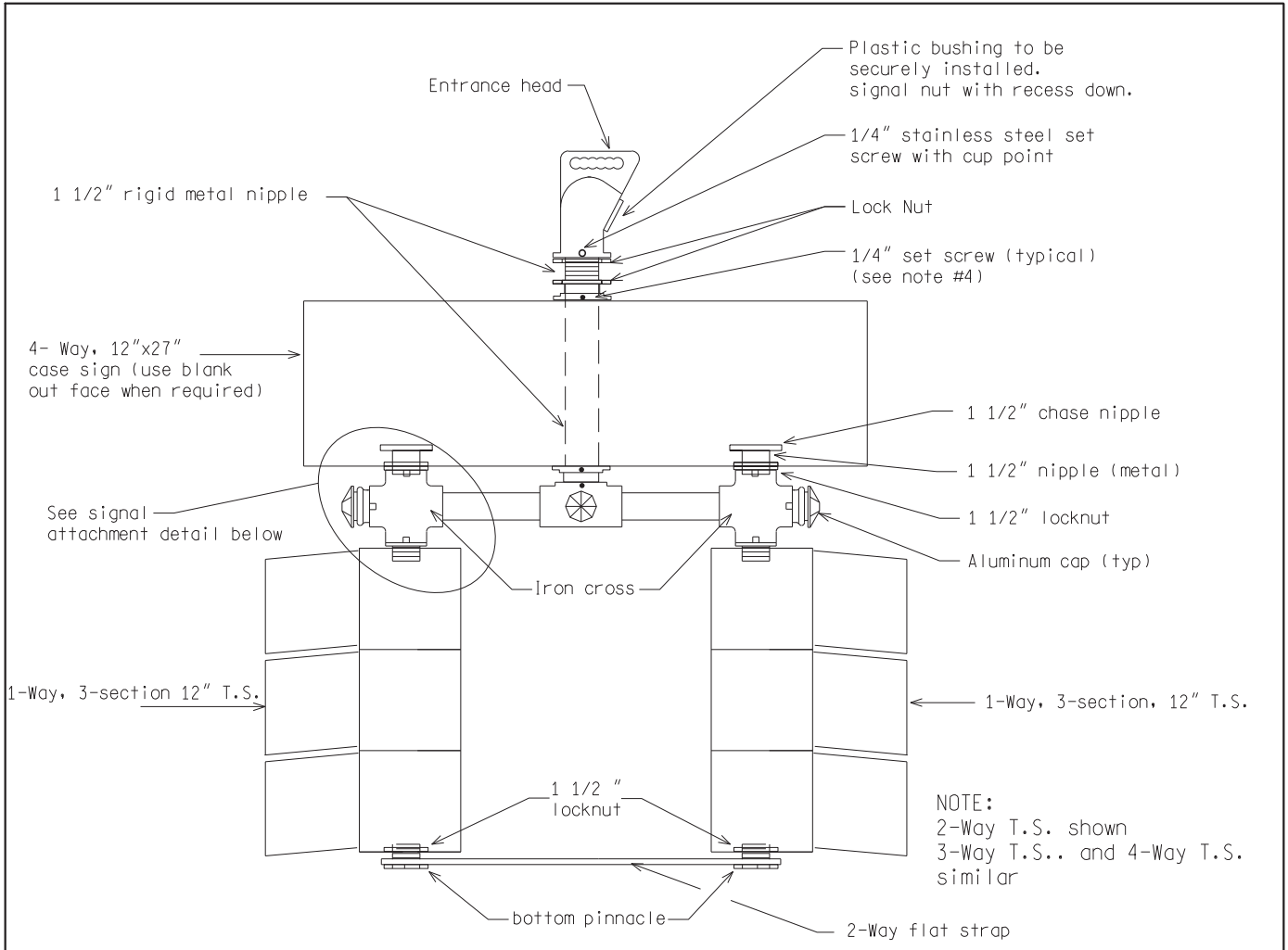
MICHIGAN DEPARTMENT OF TRANSPORTATION
BUREAU OF HIGHWAYS DELIVERY STANDARD PLAN

(SPECIAL DETAIL)
FHWA APPROVAL DATE

PLAN DATE

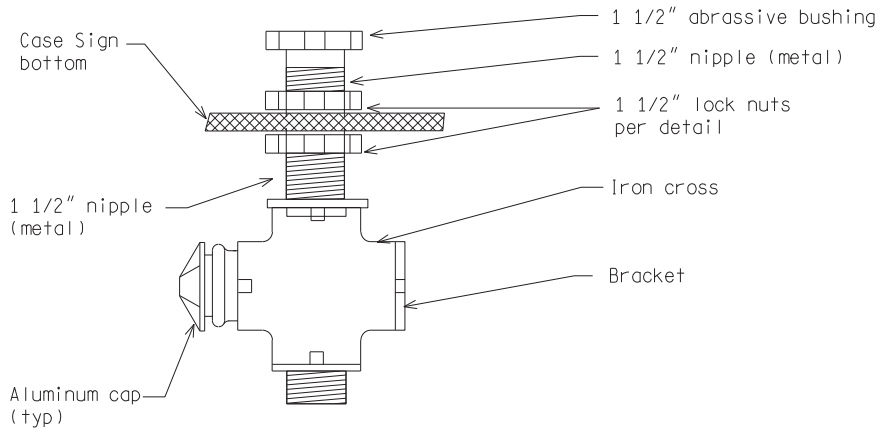
SIG-311-A

SHEET
2 of 5



NOTE:
 2-Way T.S. shown
 3-Way T.S.. and 4-Way T.S.
 similar

SPAN WIRE MOUNTED T.S. BRACKET ASSEMBLY
 WITH 4-WAY CASE SIGN COMBINATION BELOW HUB

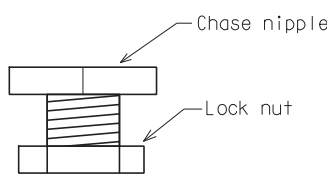
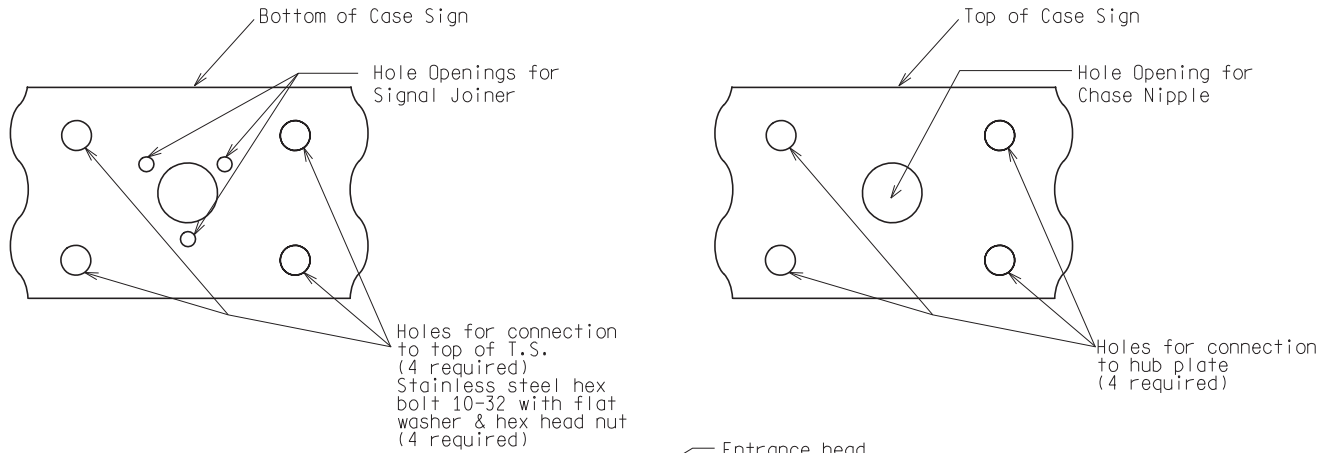


- NOTES for all details:
- 1) All pipe sizes include thread.
 - 2) Install pinnacles in all unused openings in hubs, crosses & tees.
 - 3) 4-Way case sign legend to be as shown on plans.
 - 4) Denotes 1/4" stainless steel set screw (typical)
 - 5) Apply silicon sealant to the fittings on the top of case signs, and the top and bottom connections of signal heads

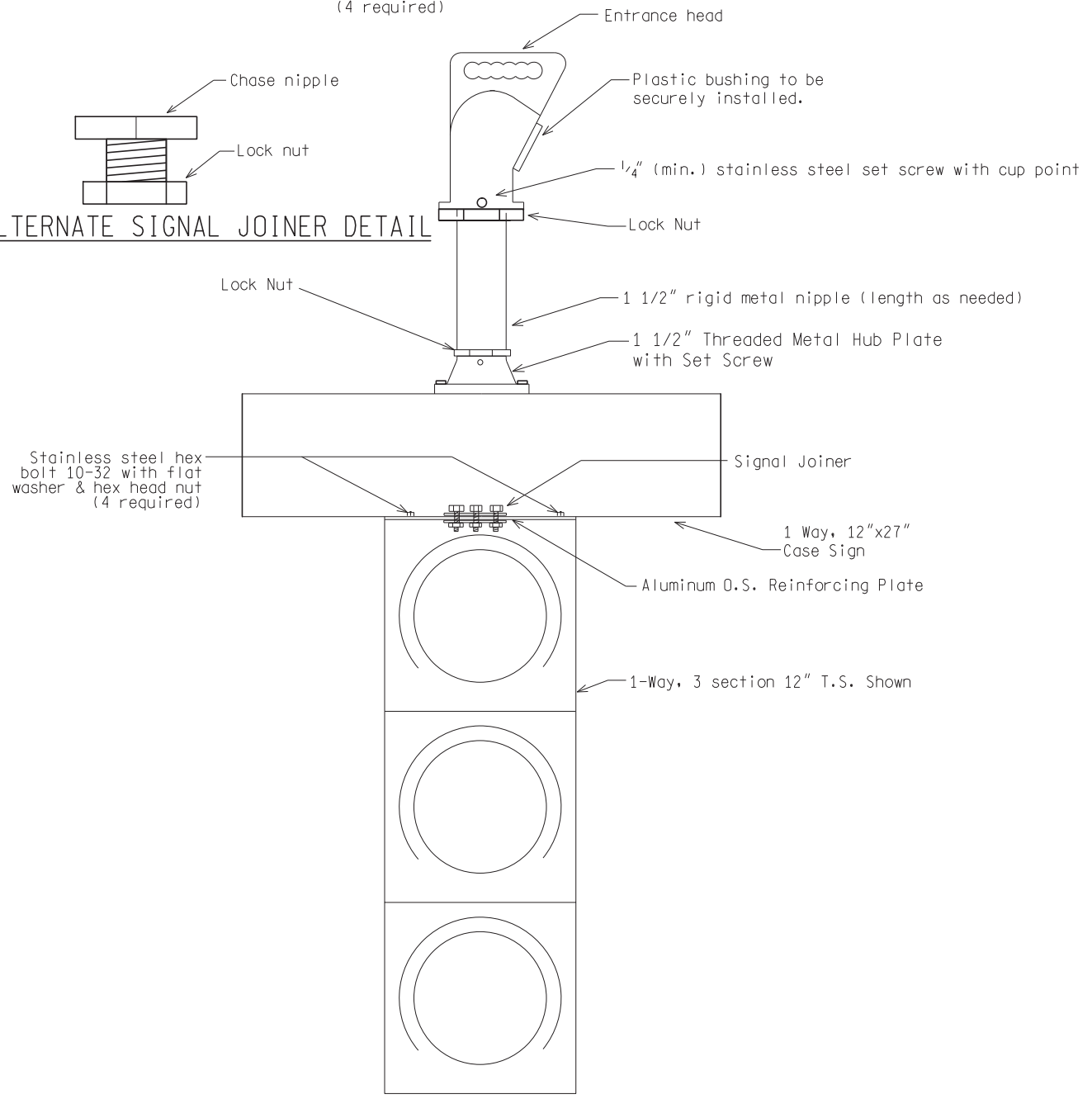
SIGNAL ATTACHMENT DETAIL

NOT TO SCALE

MICHIGAN DEPARTMENT OF TRANSPORTATION BUREAU OF HIGHWAYS DELIVERY STANDARD PLAN	(SPECIAL DETAIL) FHWA APPROVAL DATE	PLAN DATE	SIG-311-A	SHEET 3 of 5
File: RefDoc/TR/Signals/Web/Sp Det/Fin/SIG311A.dgn Rev. 02/16/17				



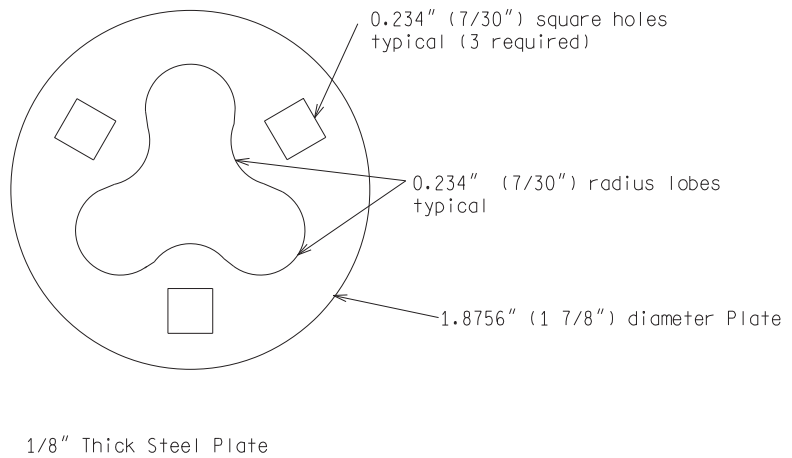
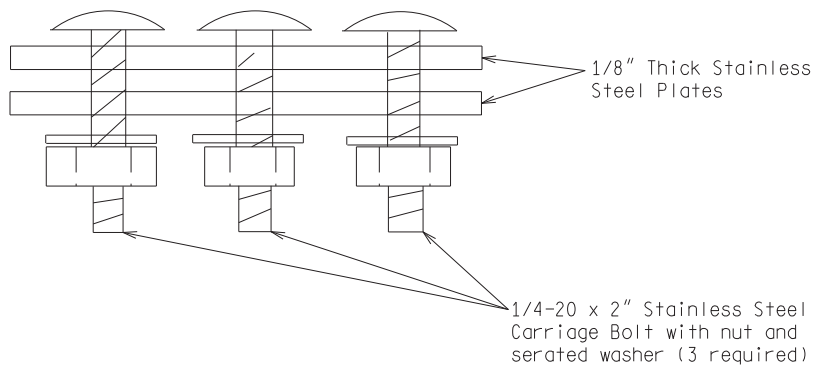
ALTERNATE SIGNAL JOINER DETAIL



T.S. MOUNTED BELOW CASE SIGN

NOT TO SCALE

MICHIGAN DEPARTMENT OF TRANSPORTATION BUREAU OF HIGHWAYS DELIVERY STANDARD PLAN	(SPECIAL DETAIL) FHWA APPROVAL DATE	PLAN DATE	SIG-311-A	SHEET 4 of 5
File: RefDoc/TR/Signals/Web/Sp Det/Fin/SIG311A.dgn Rev. 02/16/17				



SIGNAL JOINER

NOT TO SCALE

MICHIGAN DEPARTMENT OF TRANSPORTATION
BUREAU OF HIGHWAYS DELIVERY STANDARD PLAN

(SPECIAL DETAIL)
FHWA APPROVAL DATE

PLAN DATE

SIG-311-A

SHEET
5 of 5