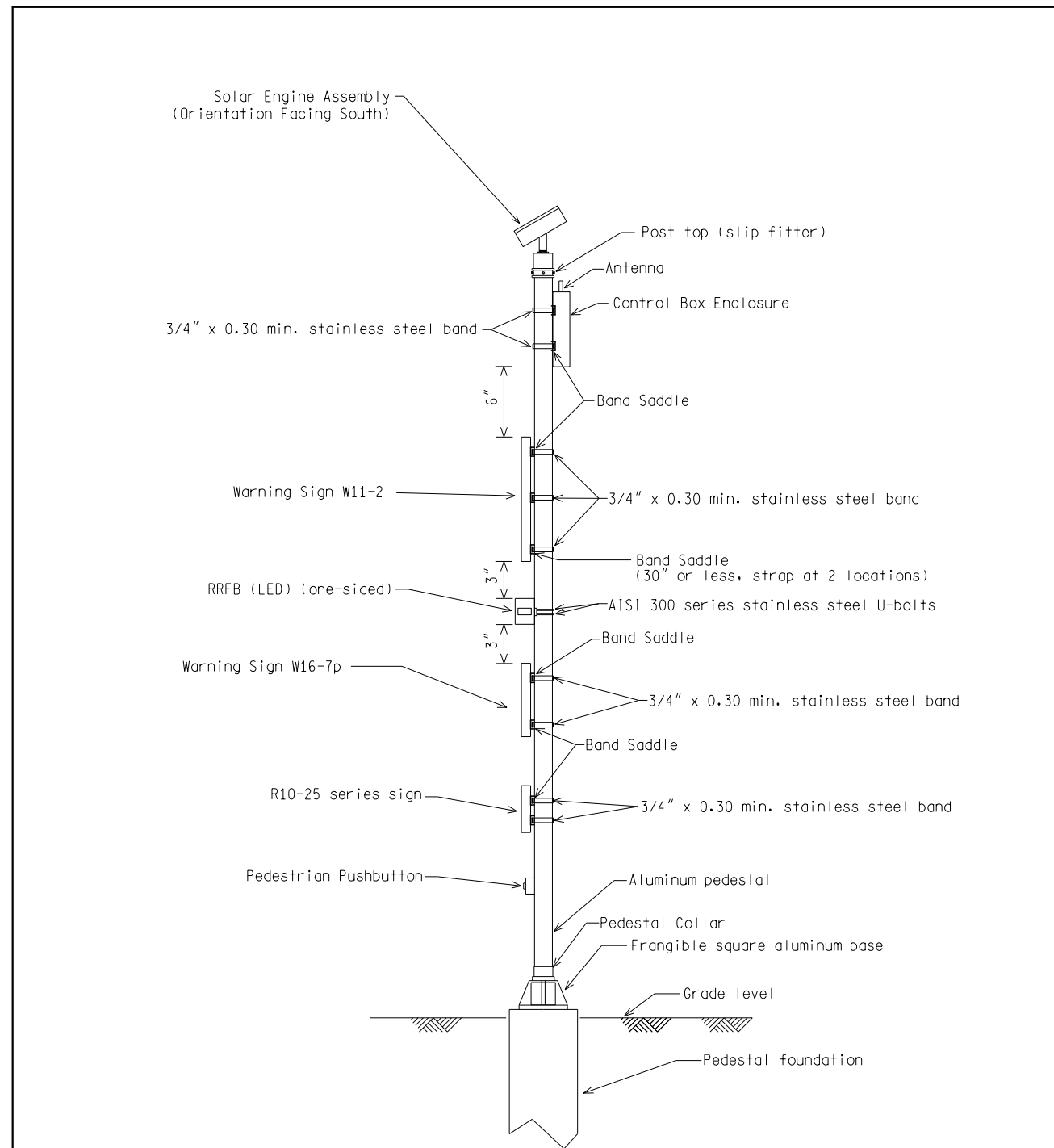


FRONT VIEW

SOLAR POWER ASSEMBLY (ONE-SIDED RRFB)

NOT TO SCALE		File: RefDoc/TR/Signals/Web/Sp Det/Fin/SIG321A.dgn Rev. 02/16/17	
<p>MICHIGAN DEPARTMENT OF TRANSPORTATION</p>	ENGINEER OF DELIVERY	<p>MICHIGAN DEPARTMENT OF TRANSPORTATION BUREAU OF HIGHWAYS DELIVERY STANDARD PLAN FOR RECTANGULAR RAPID FLASHING BEACON</p>	
	ENGINEER OF DEVELOPMENT		
<p>PREPARED BY TRAFFIC AND SAFETY</p>	(SPECIAL DETAIL)	SIG-321-A	SHEET 1 of 5
<p>DRAWN BY:</p> <p>CHECKED BY:</p>	FHWA APPROVAL DATE	PLAN DATE	

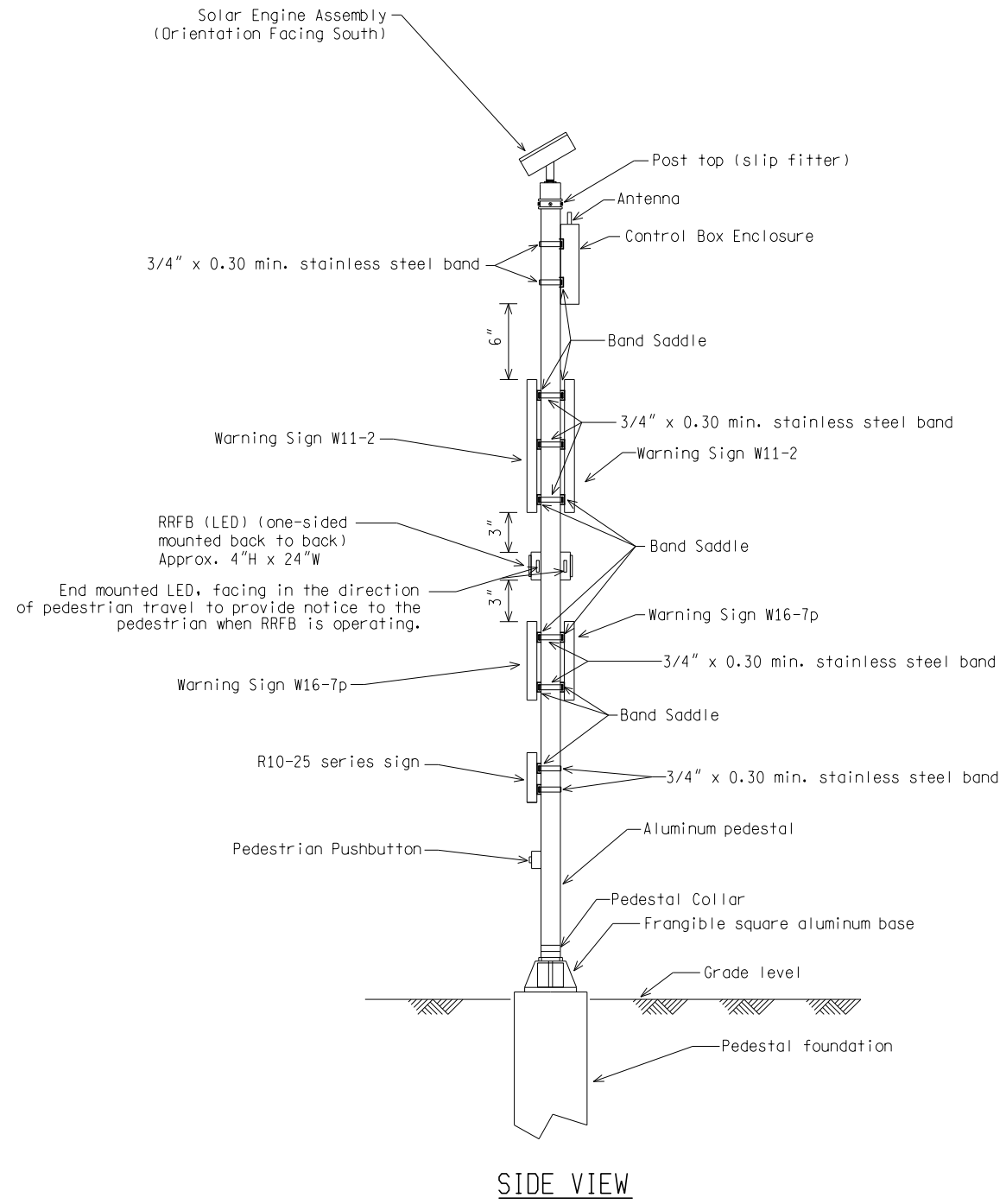


SIDE VIEW

SOLAR POWER ASSEMBLY (ONE-SIDED RRFB)

NOT TO SCALE		File: RefDoc/TR/Signals/Web/Sp Det/Fin/SIG321A.dgn Rev. 02/16/17	
<p>MICHIGAN DEPARTMENT OF TRANSPORTATION</p>	(SPECIAL DETAIL)	<p>MICHIGAN DEPARTMENT OF TRANSPORTATION BUREAU OF HIGHWAYS DELIVERY STANDARD PLAN SIG-321-A</p>	
	FHWA APPROVAL DATE		
<p>PREPARED BY TRAFFIC AND SAFETY</p>		SIG-321-A	SHEET 2 of 5
<p>DRAWN BY:</p> <p>CHECKED BY:</p>		PLAN DATE	

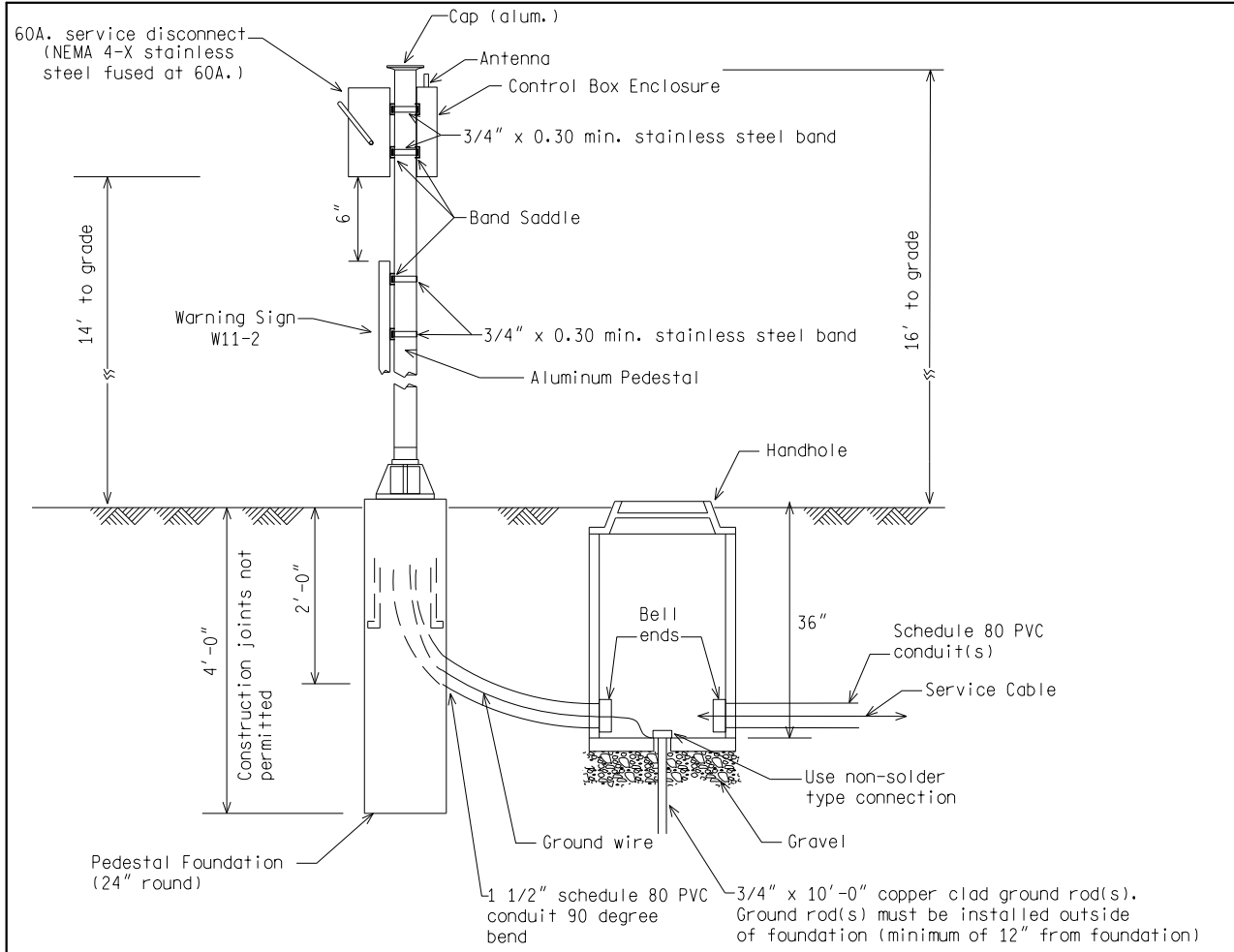
AS-LET PLAN REVISIONS								<p>MICHIGAN DEPARTMENT OF TRANSPORTATION</p>	DATE:		CS:		DRAWING	SHEET
NO.	DATE	AUTH	DESCRIPTION	NO.	DATE	AUTH	DESCRIPTION		DESIGN UNIT:	JN:				
								FILE:	TSC:					



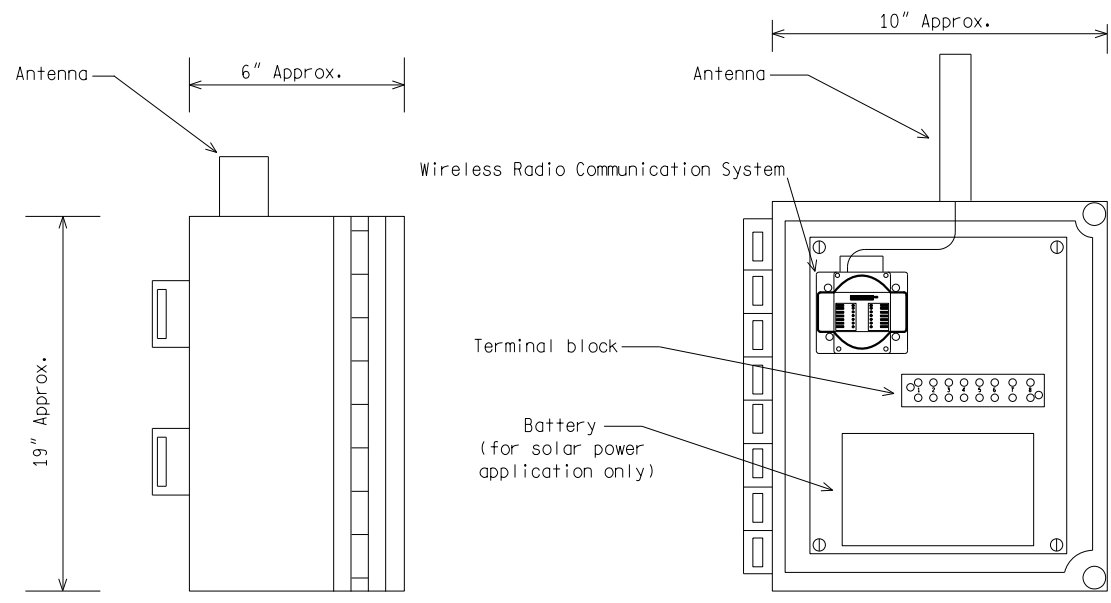
SOLAR POWER ASSEMBLY (TWO-SIDED RRFB)

NOT TO SCALE

MICHIGAN DEPARTMENT OF TRANSPORTATION BUREAU OF HIGHWAYS DELIVERY STANDARD PLAN	(SPECIAL DETAIL) FHWA APPROVAL DATE	PLAN DATE	SIG-321-A	SHEET 3 of 5
File: RefDoc/TR/Signals/Web/Sp Det/F in/SIG321A.dgn Rev. 02/16/17				



PERMANENT POWER SOURCE (RRFB)



SIDE VIEW CONTROL BOX ENCLOSURE DETAIL INSIDE VIEW

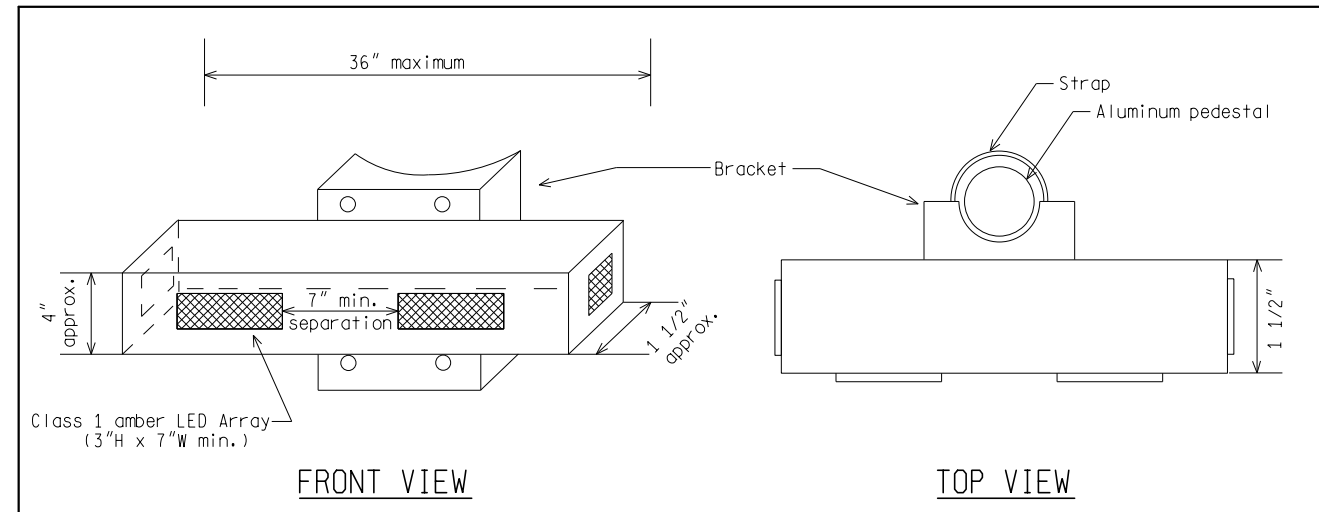
NOT TO SCALE

MICHIGAN DEPARTMENT OF TRANSPORTATION BUREAU OF HIGHWAYS DELIVERY STANDARD PLAN	(SPECIAL DETAIL) FHWA APPROVAL DATE	PLAN DATE	SIG-321-A	SHEET 4 of 5
File: RefDoc/TR/Signals/Web/Sp Det/F in/SIG321A.dgn Rev. 02/16/17				

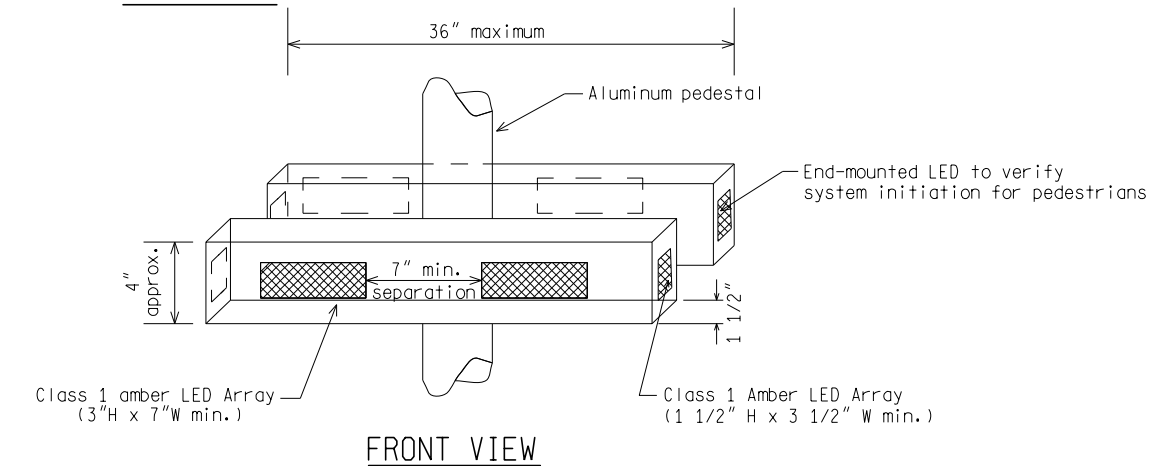
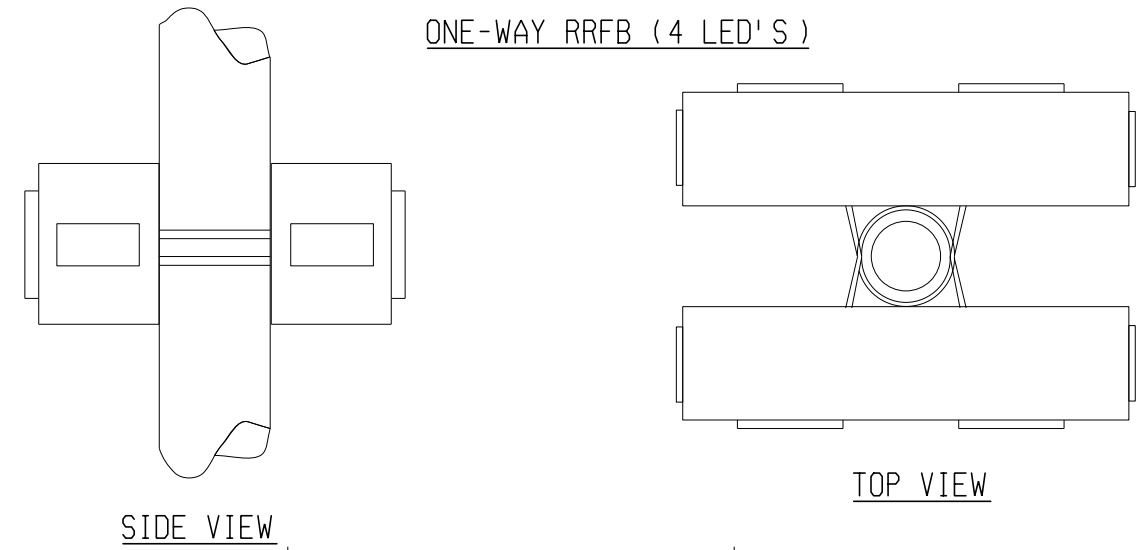
AS-LET PLAN REVISIONS							
NO.	DATE	AUTH	DESCRIPTION	NO.	DATE	AUTH	DESCRIPTION



DATE:	CS:	DRAWING	SHEET
DESIGN UNIT:	JN:		
TSC:			
FILE:			



ONE-WAY RRFB (4 LED'S)



**TWO-WAY RRFB (8 LED'S)
TWO ONE WAY MOUNTED BACK TO BACK**

- Notes: 1) All dimensions are approximate.
 2) Use manufacturer's recommended mounting brackets, fittings, and connectors.
 3) Use AISI 300 series stainless steel hardware.

NOT TO SCALE

MICHIGAN DEPARTMENT OF TRANSPORTATION BUREAU OF HIGHWAYS DELIVERY STANDARD PLAN	(SPECIAL DETAIL) FHWA APPROVAL DATE	PLAN DATE	SIG-321-A	SHEET 5 of 5
File: RefDoc/TR/Signals/Web/Sp Det/F in/SIG321A.dgn		Rev. 02/16/17		

AS-LET PLAN REVISIONS							
NO.	DATE	AUTH	DESCRIPTION	NO.	DATE	AUTH	DESCRIPTION



DATE:	CS:	DRAWING	SHEET
DESIGN UNIT:	JN:		
TSC:			
FILE:			