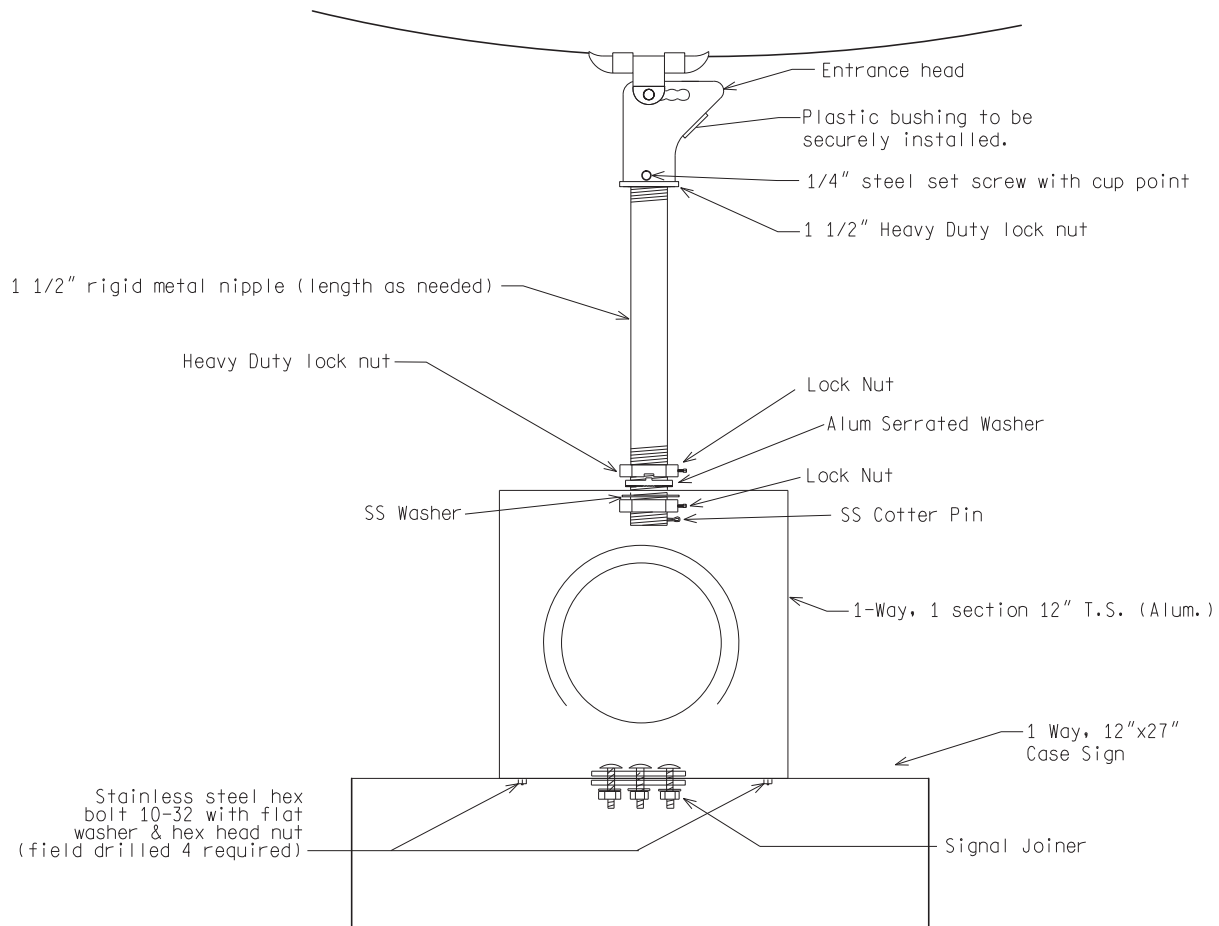


ALTERNATE SIGNAL JOINER DETAIL



T.S. MOUNTED ON CASE SIGN

NOT TO SCALE

File: RefDoc/TR/Signals/Web/Sp Det/Fin/SIG312A.dgn Rev: 02/16/17



PREPARED BY
TRAFFIC AND SAFETY

DRAWN BY: DJF

CHECKED BY:

ENGINEER OF DELIVERY

ENGINEER OF DEVELOPMENT

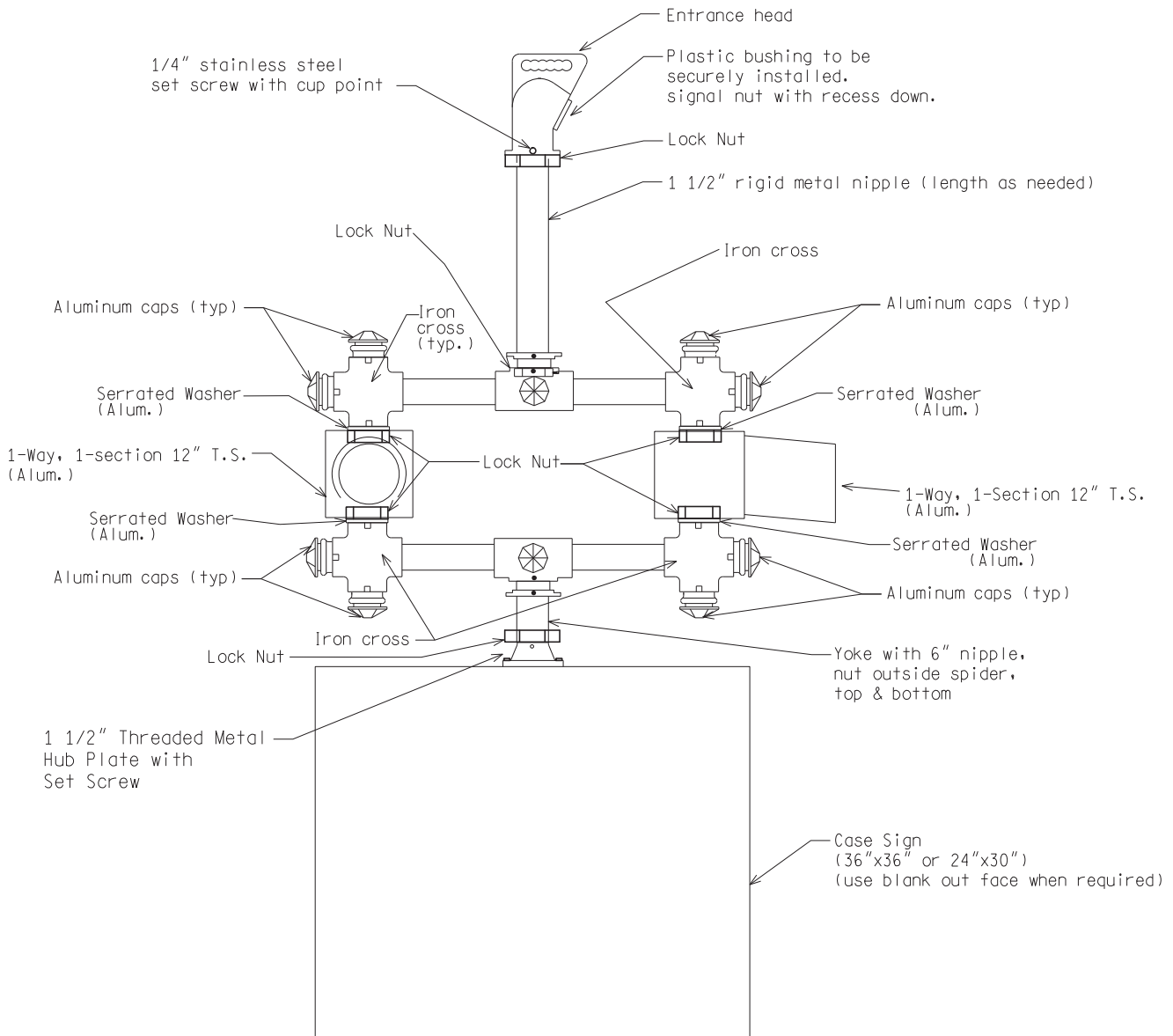
(SPECIAL DETAIL)
FHWA APPROVAL DATE

MICHIGAN DEPARTMENT OF TRANSPORTATION
BUREAU OF HIGHWAYS DELIVERY STANDARD PLAN FOR
**BRACKETING FOR FLASHING
BEACON/CASE SIGN COMBINATIONS**

PLAN DATE

SIG-312-A

SHEET
1 of 2



NOT TO SCALE

MICHIGAN DEPARTMENT OF TRANSPORTATION
BUREAU OF HIGHWAYS DELIVERY STANDARD PLAN

(SPECIAL DETAIL)
FHWA APPROVAL DATE

PLAN DATE

SIG-312-A

SHEET
2 of 2