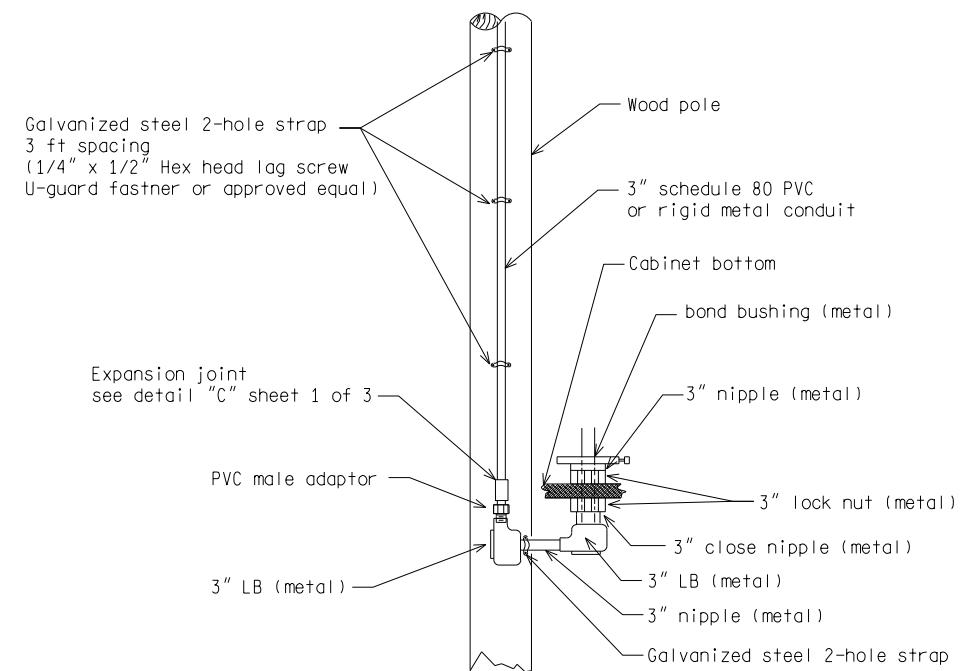


CONTROLLER CABINET MOUNTED ON STEEL POLE DETAIL "A"



CONTROLLER CABINET MOUNTED ON WOOD POLE DETAIL "B"

NOTE:
 The distance between LB's as shown on this detail is for clarity of the drawing only. Actual distance between LB's shall be minimized as is practical to the installation.

NOTE:
 If rigid metal conduit is used, the conduit must be bonded according to the current N.E.C.

NOT TO SCALE

MICHIGAN DEPARTMENT OF TRANSPORTATION BUREAU OF HIGHWAYS DELIVERY STANDARD PLAN	(SPECIAL DETAIL) FHWA APPROVAL DATE	PLAN DATE	SIG-100-A	SHEET 3 of 3
File: RefDoc/TR/Signals/Web/Sp Det/Fin/SIG100A.dgn Rev. 02/16/17				

AS-LET PLAN REVISIONS							
NO.	DATE	AUTH	DESCRIPTION	NO.	DATE	AUTH	DESCRIPTION



DATE:	CS:	DRAWING	SHEET
DESIGN UNIT:	JN:		
TSC:			
FILE:			