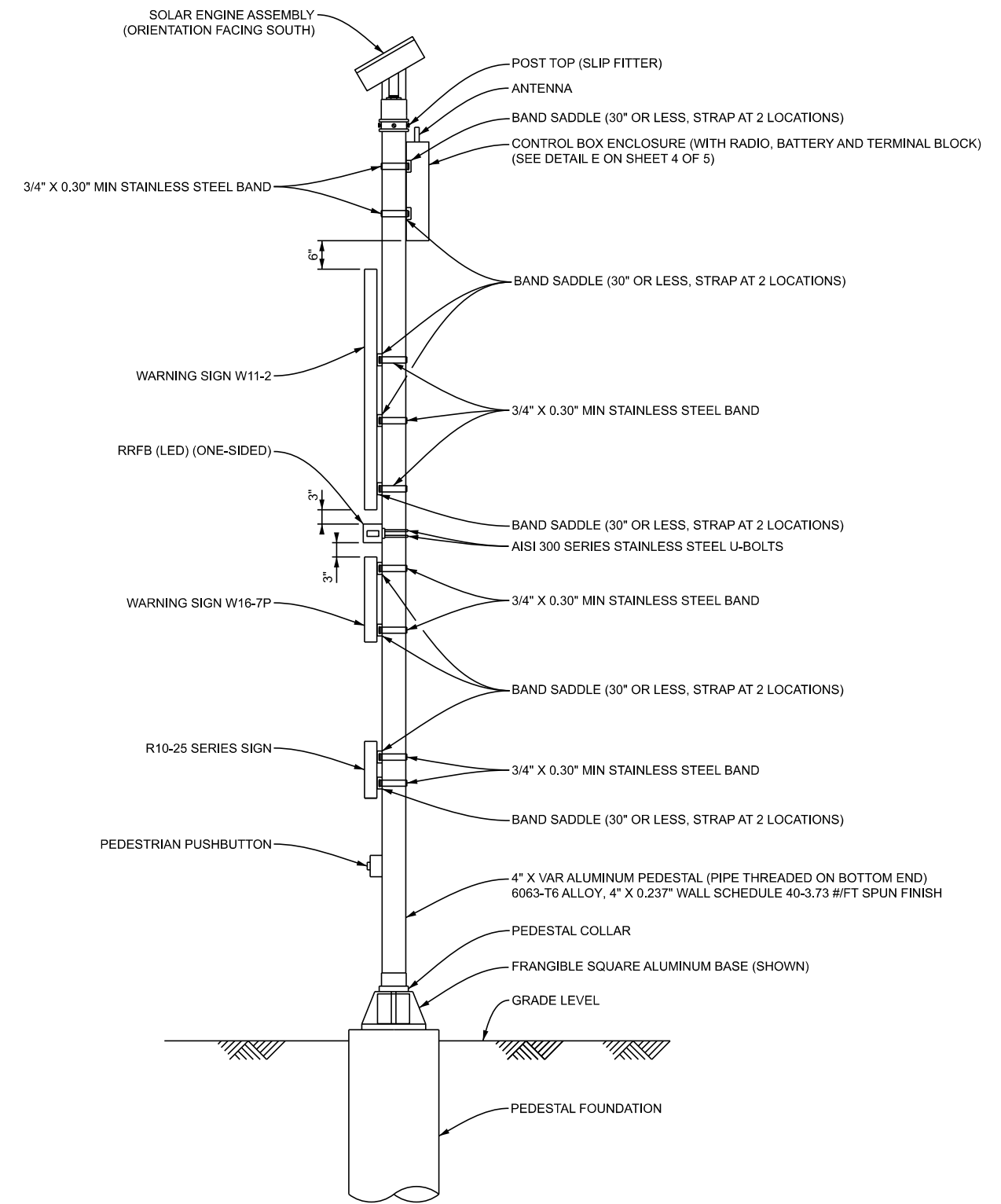


FRONT VIEW

A DETAIL - SOLAR POWER ASSEMBLY (ONE-SIDED RRFB)
N.T.S.

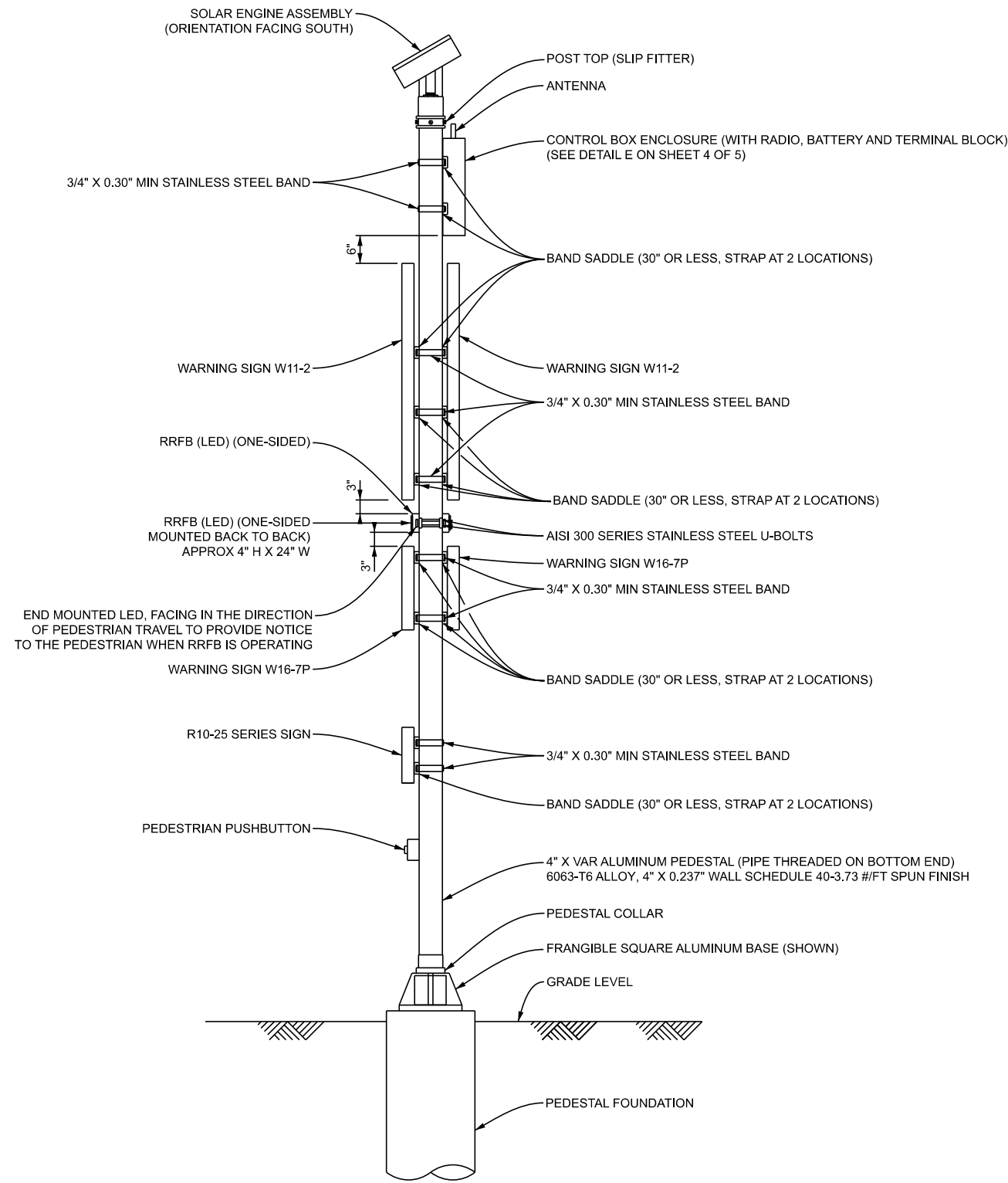


SIDE VIEW

B DETAIL - SOLAR POWER ASSEMBLY (ONE-SIDED RRFB)
N.T.S.

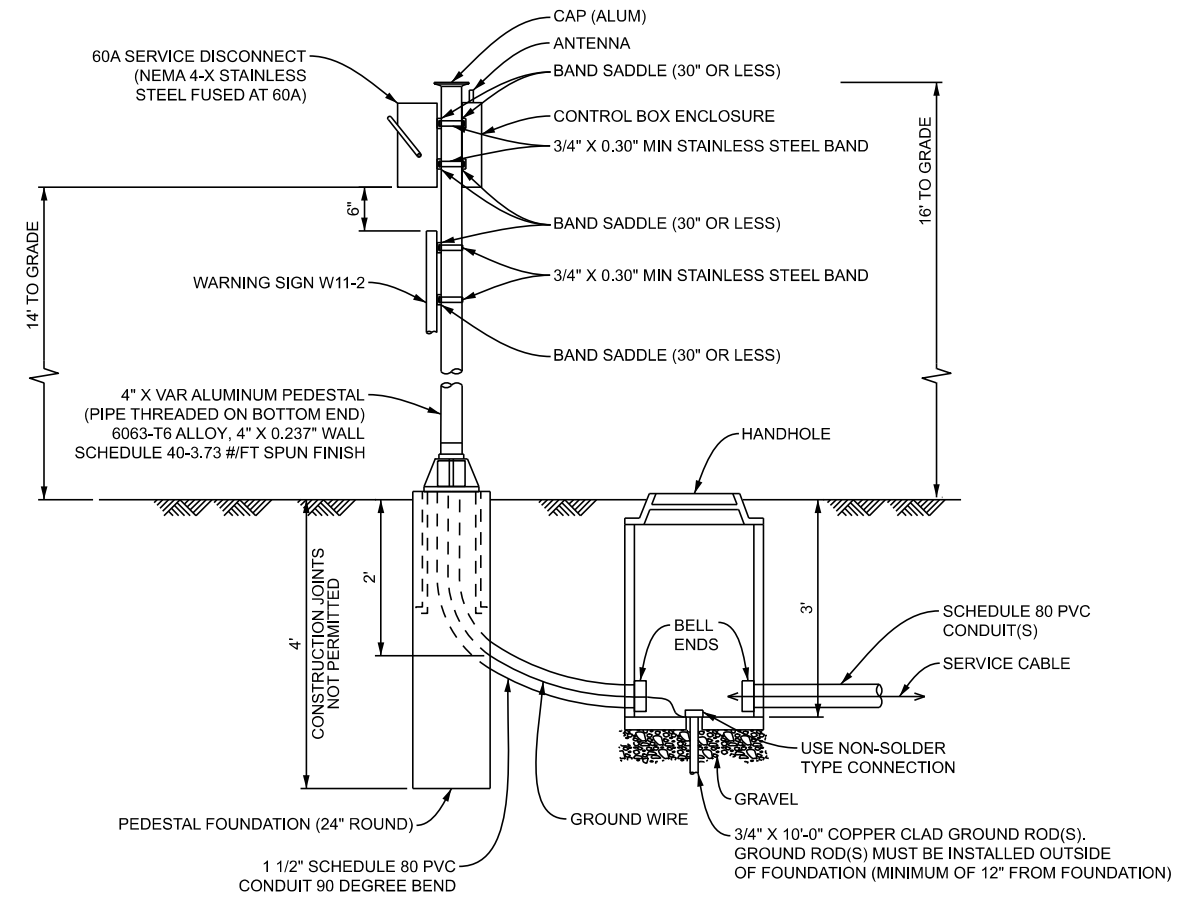
APPROVED BY: _____ DIRECTOR, BUREAU OF FIELD SERVICES		STANDARD PLAN FOR RECTANGULAR RAPID FLASHING BEACON		
APPROVED BY: _____ DIRECTOR, BUREAU OF DEVELOPMENT		(SPECIAL DETAIL) FHWA APPROVAL	02/21/2024 PLAN DATE	SIG-321-A

	STANDARD PLAN FOR RECTANGULAR RAPID FLASHING BEACON			
DEPARTMENT DIRECTOR BRADLEY C. WIEFERICH, PE	(SPECIAL DETAIL) FHWA APPROVAL	02/21/2024 PLAN DATE	SIG-321-A	SHEET 2 OF 5 SECT

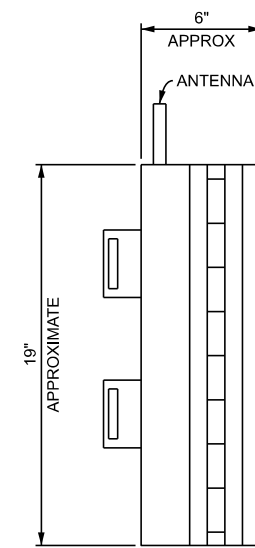


SIDE VIEW

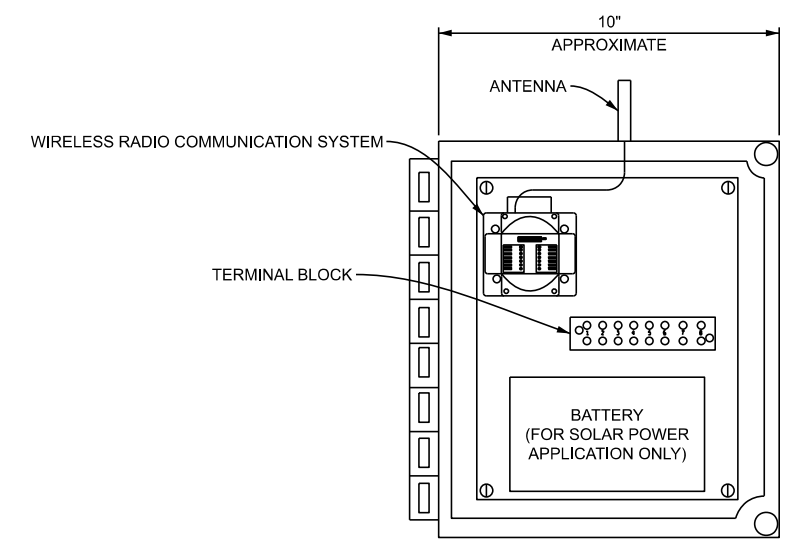
C DETAIL - SOLAR POWER ASSEMBLY (TWO-SIDED RRFB)
N.T.S.



D DETAIL - PERMANENT POWER SOURCE (RRFB)
N.T.S.



SIDE VIEW



INSIDE VIEW

E DETAIL - CONTROL BOX ENCLOSURE DETAIL
N.T.S.

APPROVED BY: _____
DIRECTOR, BUREAU OF FIELD SERVICES



APPROVED BY: _____
DIRECTOR, BUREAU OF DEVELOPMENT

DEPARTMENT DIRECTOR
BRADLEY C. WIEFERICH, PE

(SPECIAL DETAIL)
FHWA APPROVAL

02/21/2024
PLAN DATE

SIG-321-A

SHEET
3 OF 5



DEPARTMENT DIRECTOR
BRADLEY C. WIEFERICH, PE

(SPECIAL DETAIL)
FHWA APPROVAL

02/21/2024
PLAN DATE

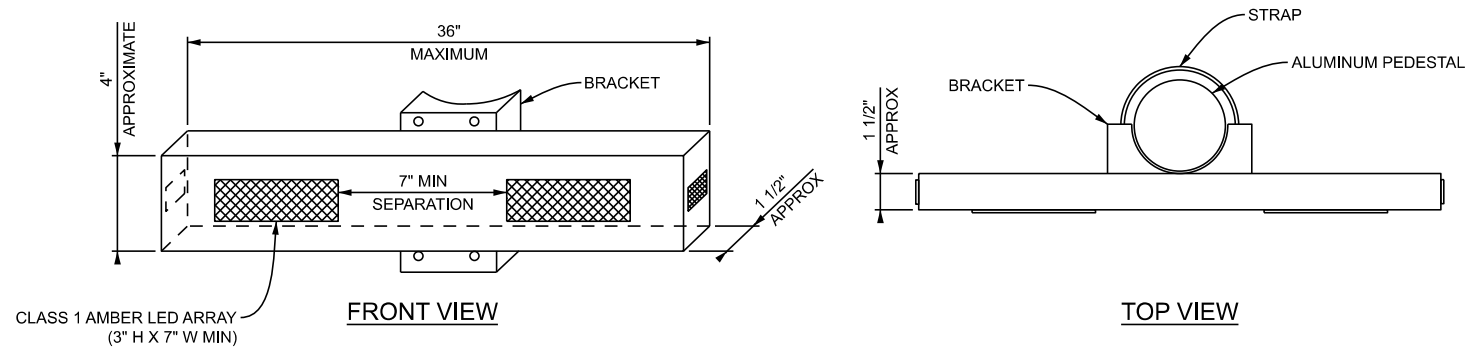
SIG-321-A

SHEET
4 OF 5

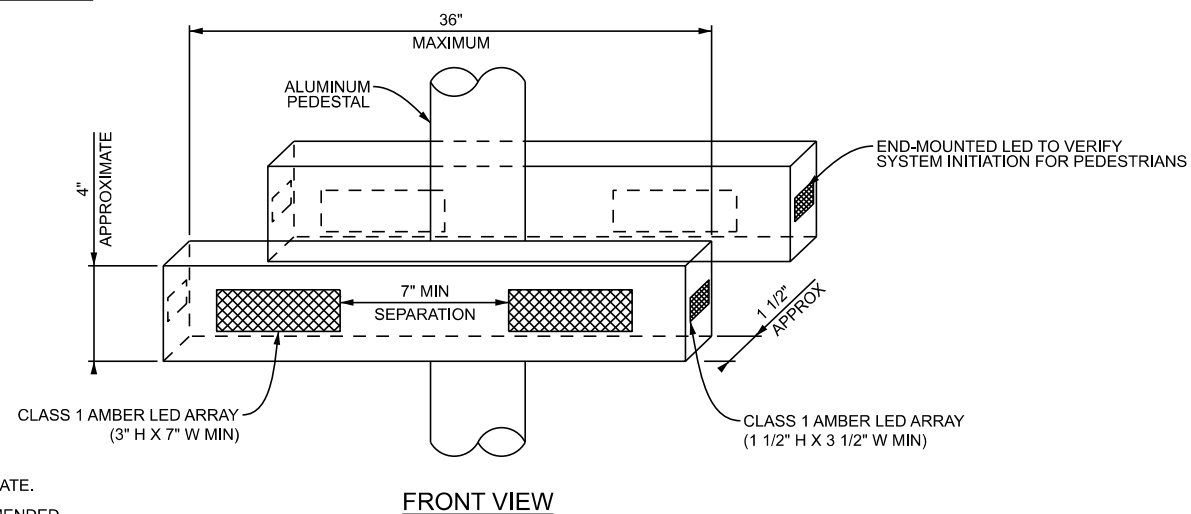
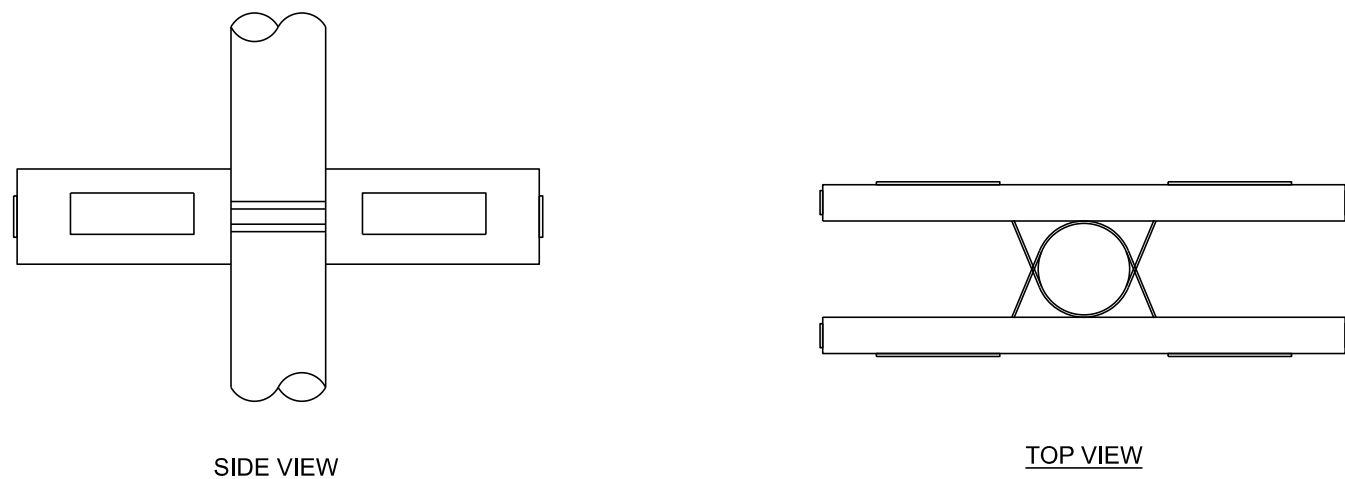
SECT

STANDARD PLAN FOR
RECTANGULAR RAPID
FLASHING BEACON

STANDARD PLAN FOR
RECTANGULAR RAPID
FLASHING BEACON



F DETAIL - ONE-WAY RRFB (4 LED'S)
N.T.S.



- NOTES:
- 1) ALL DIMENSIONS ARE APPROXIMATE.
 - 2) USE MANUFACTURER'S RECOMMENDED MOUNTING BRACKETS, FITTINGS, AND CONNECTORS.
 - 3) USE AISI 300 SERIES STAINLESS STEEL HARDWARE.

G DETAIL - TWO-WAY RRFB (8 LED'S) TWO ONE-WAY MOUNTED BACK TO BACK
N.T.S.

APPROVED BY: _____
DIRECTOR, BUREAU OF FIELD SERVICES

APPROVED BY: _____
DIRECTOR, BUREAU OF DEVELOPMENT



STANDARD PLAN FOR
RECTANGULAR RAPID
FLASHING BEACON

(SPECIAL DETAIL)	02/21/2024	SIG-321-A	SHEET 5 OF 5
FHWA APPROVAL	PLAN DATE		