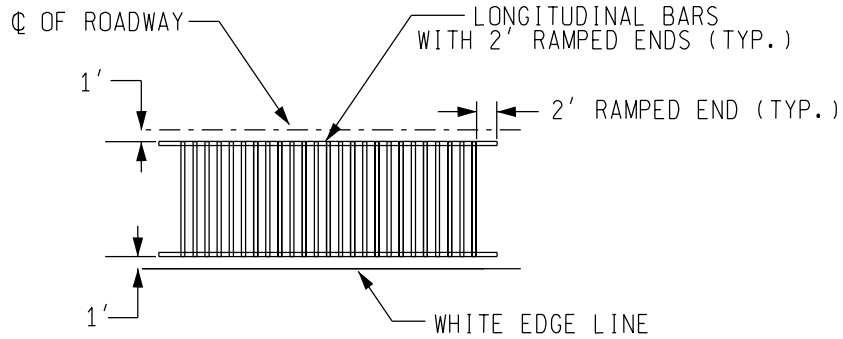
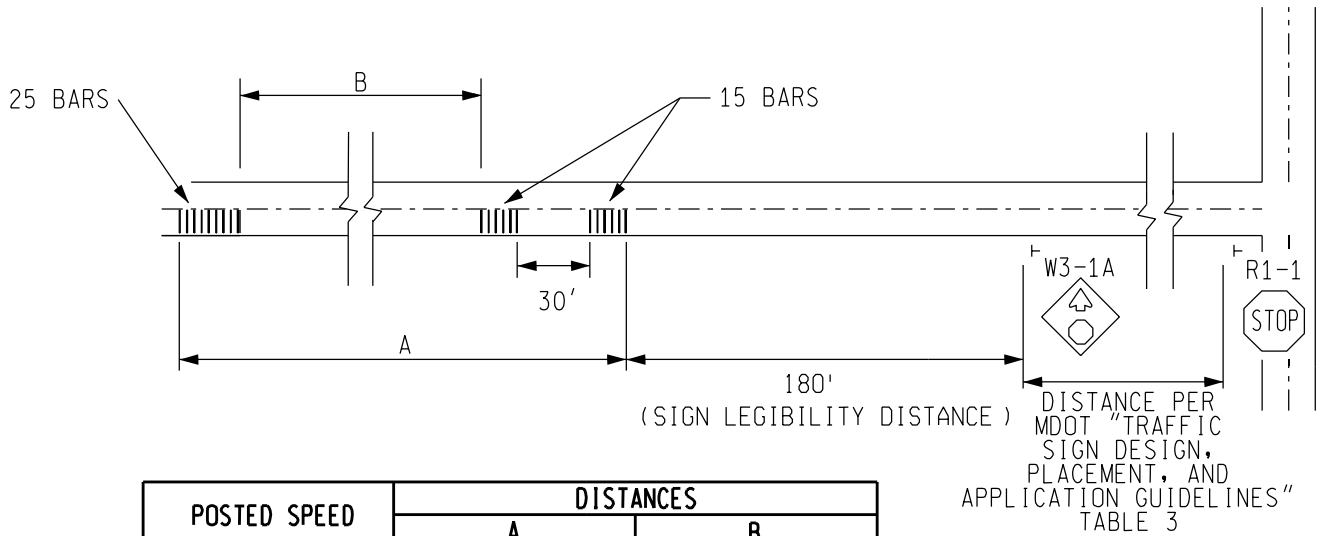


PROFILE VIEW



PLAN VIEW



| POSTED SPEED | DISTANCES | |
|--------------|-----------|--------|
| | A | B |
| 45 MPH | 240 FT | 115 FT |
| 50 MPH | 270 FT | 145 FT |
| 55 MPH | 285 FT | 160 FT |

LOCATION

NOTE: DISTANCES GIVEN ARE MINIMUM VALUES

RAISED THERMOPLASTIC RUMBLE STRIPS FOR USE ON STATE TRUNKLINE



PREPARED BY
TSMD DIVISION

DRAWN BY: MKB

CHECKED BY: KMW

DEPARTMENT DIRECTOR
Paul C. Ajegba

Gregg Brunner, P.E. Gregg Brunner
Nov 2 2020 12:08 PM

APPROVED BY: DIRECTOR, BUREAU OF FIELD SERVICES

Bradley C. Wieforich Bradley C. Wieforich
Nov 5 2020 5:47 AM

APPROVED BY: DIRECTOR, BUREAU OF DEVELOPMENT

MICHIGAN DEPARTMENT OF TRANSPORTATION
BUREAU OF DEVELOPMENT STANDARD PLAN FOR

RAISED THERMOPLASTIC RUMBLE STRIPS

09/21/20
F.H.W.A. APPROVAL

02/27/20
PLAN DATE

PAVE-916-A

SHEET
1 OF 1