

**NOTE:**  
 The distance between LB's as shown on this detail is for clarity of the drawing only. Actual distance between LB's shall be minimized as practical to the installation.

**(\*) NOTE:**  
 Porcelain strain insulator (if required) shall meet the codes and placement requirements of the local utility co.

**SECONDARY SERVICE/DISCONNECT  
 FOR WOOD POLES-OVERHEAD POWER FEED  
 NON-METERED SERVICE**

NOT TO SCALE

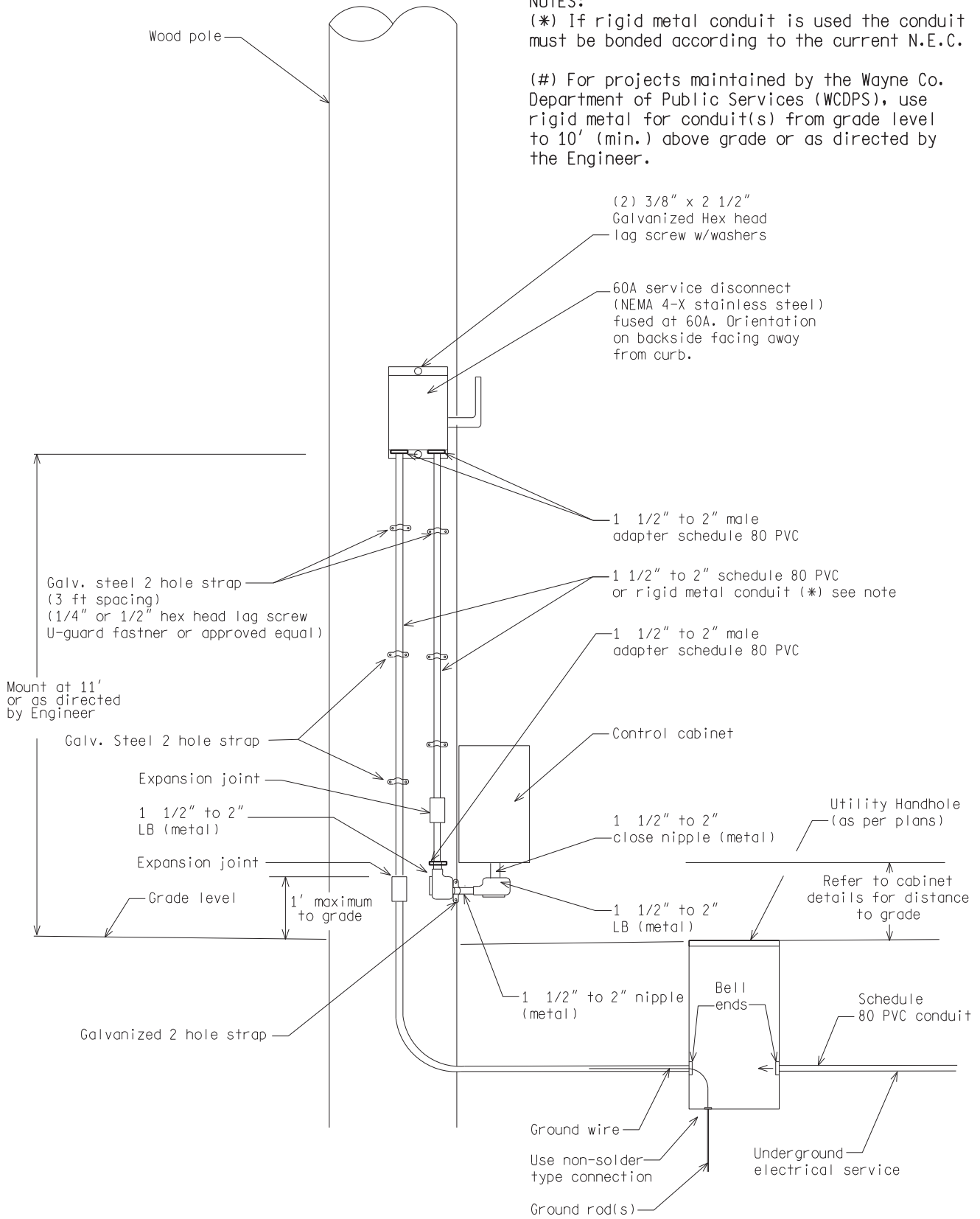
File: RefDoc/TR/Signals/Web/Sp Det/Fin/SIG200A.dgn Rev. 02/16/17

|   |  |  |  |
|---|--|--|--|
| <p>PREPARED BY<br/>TRAFFIC AND SAFETY</p> | <p>ENGINEER OF DELIVERY</p>  | <p>MICHIGAN DEPARTMENT OF TRANSPORTATION<br/>         BUREAU OF HIGHWAYS DELIVERY STANDARD PLAN FOR<br/> <b>SECONDARY SERVICE/DISCONNECT<br/>         FOR WOOD POLES</b></p> |  |
|   | <p>ENGINEER OF DEVELOPMENT<br/>         (SPECIAL DETAIL)<br/>         FHWA APPROVAL DATE</p> |  |  |
| <p>DRAWN BY: DJF</p>                      |  | <p>SIG-200-A</p>   |  |
| <p>CHECKED BY:</p>                        |  |  |  |

**NOTES:**

(\*) If rigid metal conduit is used the conduit must be bonded according to the current N.E.C.

(#) For projects maintained by the Wayne Co. Department of Public Services (WCDPS), use rigid metal for conduit(s) from grade level to 10' (min.) above grade or as directed by the Engineer.



**SECONDARY SERVICE/DISCONNECT FOR  
WOOD POLES-UNDERGROUND POWER FEED  
NON-METERED SERVICE**

NOT TO SCALE

MICHIGAN DEPARTMENT OF TRANSPORTATION  
BUREAU OF HIGHWAYS DELIVERY STANDARD PLAN

(SPECIAL DETAIL)  
FHWA APPROVAL DATE

PLAN DATE

SIG-200-A

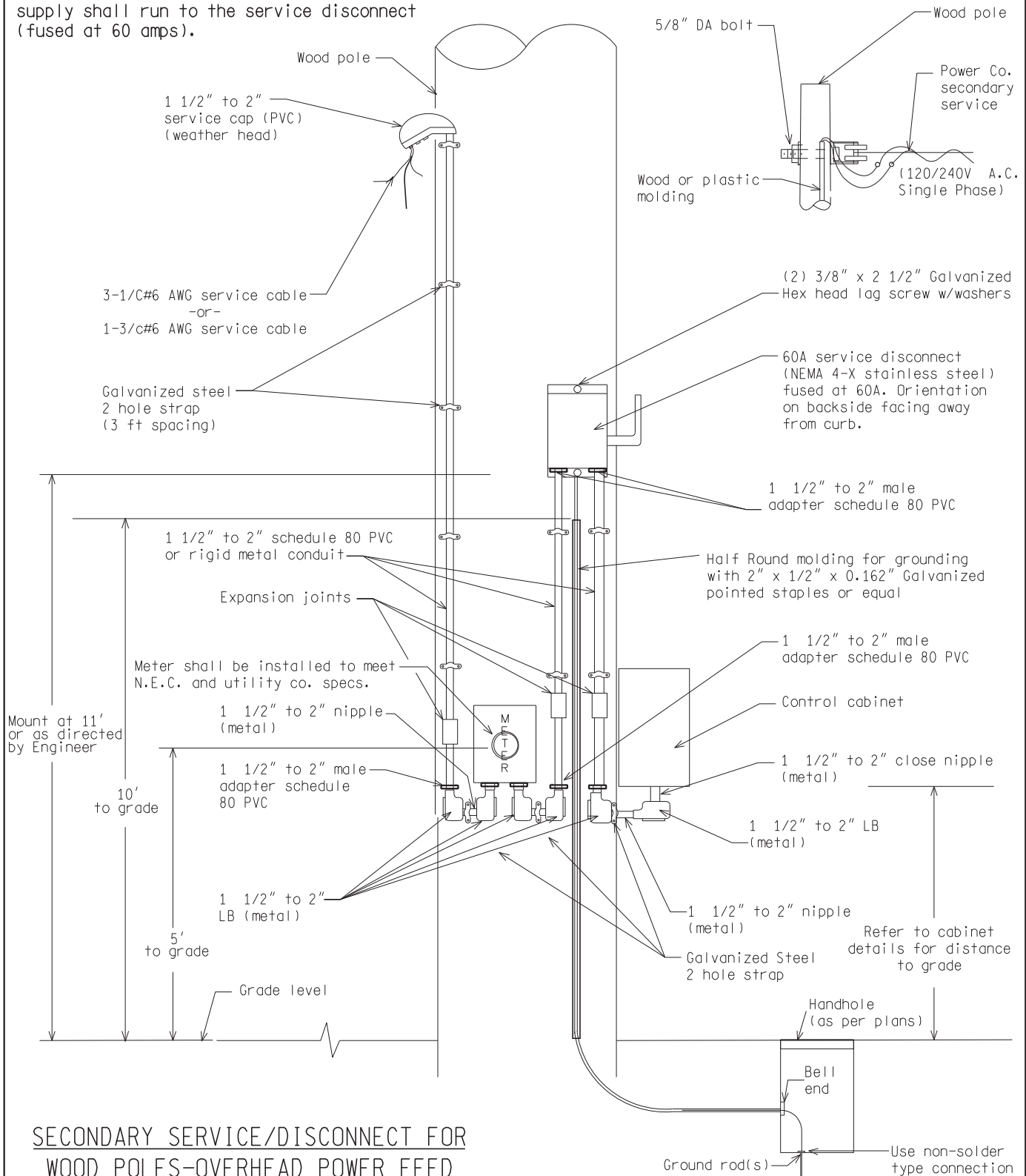
SHEET  
2 of 4

(\*) NOTE:

This detail is illustrated as a metered installation. If the plans call for an un-metered installation, then the meter shall be omitted and a direct electrical supply shall run to the service disconnect (fused at 60 amps).

(\*) NOTE:

Porcelain strain insulator (if required) shall meet the codes and placement requirements of the local utility co.



**SECONDARY SERVICE/DISCONNECT FOR  
WOOD POLES-OVERHEAD POWER FEED  
METERED SERVICE**

NOT TO SCALE

MICHIGAN DEPARTMENT OF TRANSPORTATION  
BUREAU OF HIGHWAYS DELIVERY STANDARD PLAN

(SPECIAL DETAIL)  
FHWA APPROVAL DATE

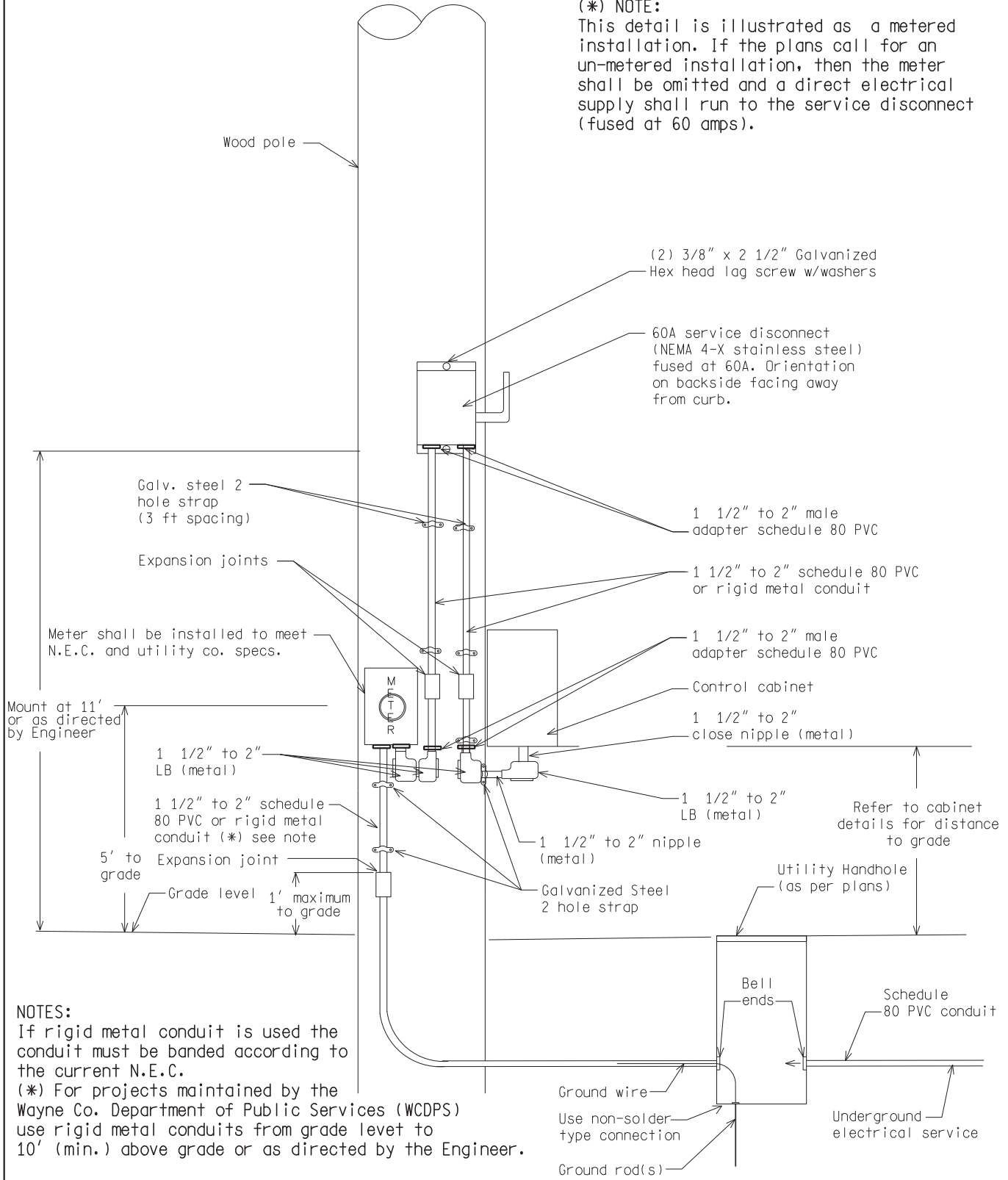
File: RefDoc/TR/Signals/Web/Sp Det/Fin/SIG200A.dgn Rev. 02/16/17

PLAN DATE

SIG-200-A

SHEET  
3 of 4

(\* NOTE:  
 This detail is illustrated as a metered installation. If the plans call for an un-metered installation, then the meter shall be omitted and a direct electrical supply shall run to the service disconnect (fused at 60 amps).



NOTES:  
 If rigid metal conduit is used the conduit must be banded according to the current N.E.C.  
 (\*) For projects maintained by the Wayne Co. Department of Public Services (WCDPS) use rigid metal conduits from grade level to 10' (min.) above grade or as directed by the Engineer.

SECONDARY SERVICE/DISCONNECT FOR WOOD POLES-UNDERGROUND POWER FEED  
METERED SERVICE

NOT TO SCALE

|  |  |           |           |                 |
|--|--|-----------|-----------|-----------------|
| MICHIGAN DEPARTMENT OF TRANSPORTATION<br>BUREAU OF HIGHWAYS DELIVERY STANDARD PLAN | (SPECIAL DETAIL)<br>FHWA APPROVAL DATE | PLAN DATE | SIG-200-A | SHEET<br>4 of 4 |
| File: RefDoc/TR/Signals/Web/Sp Det/Fin/SIG200A.dgn Rev. 02/16/17                   |  |           |           |                 |