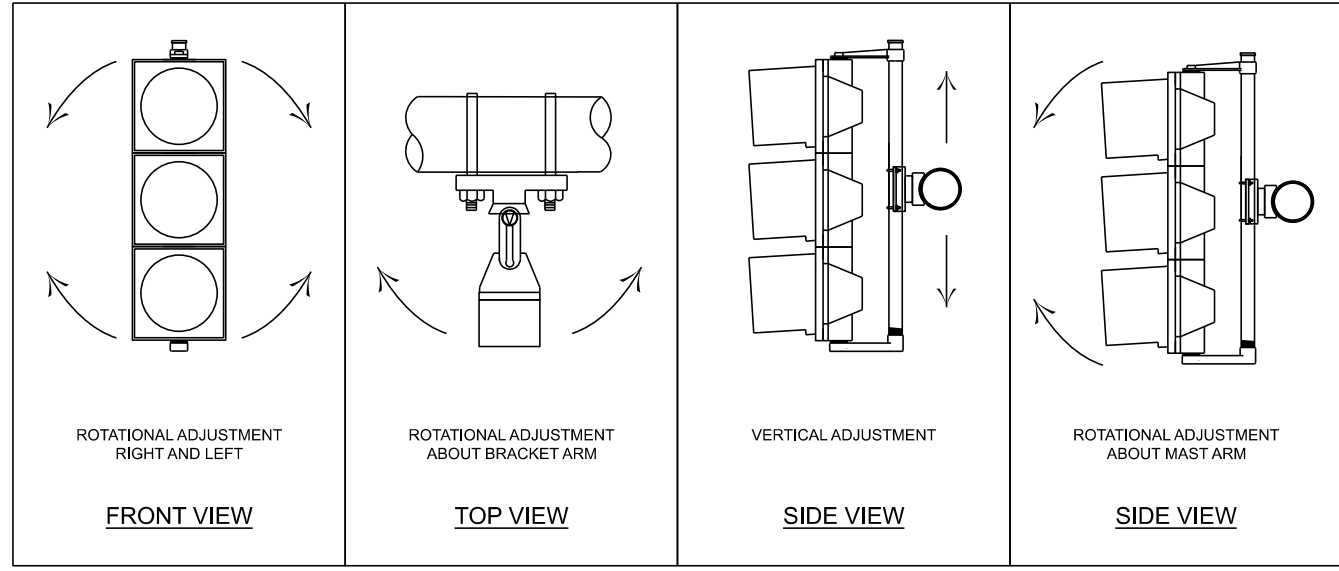
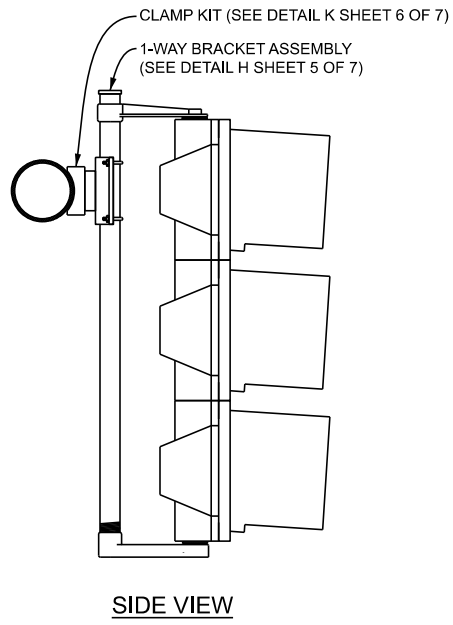
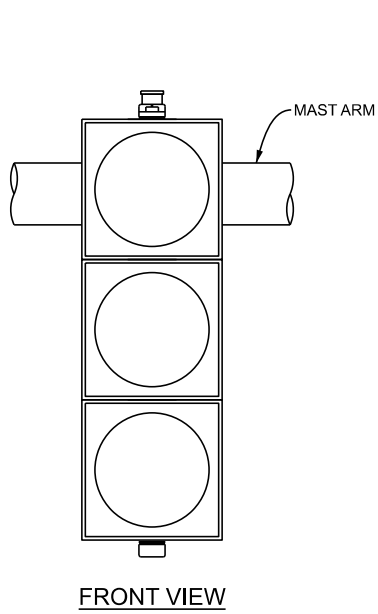


A DETAIL - TYPICAL SIGNAL DISPLAYS
N.T.S.

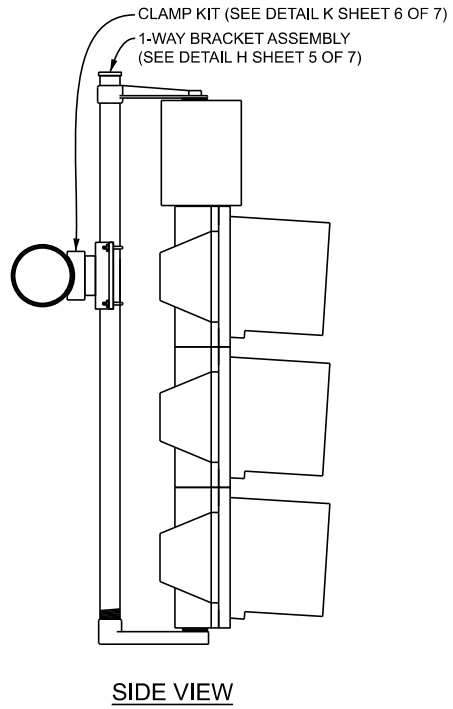
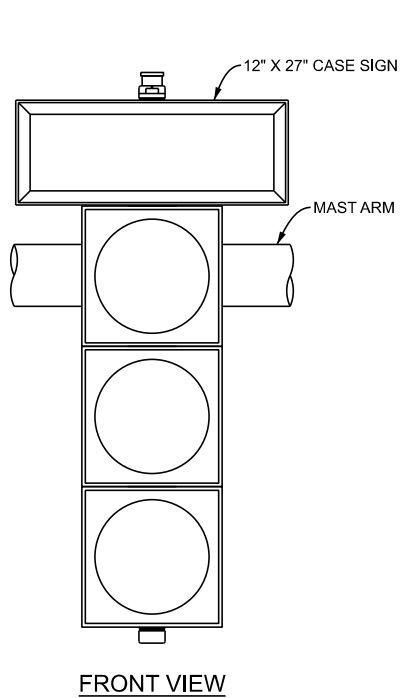


B DETAIL - SIGNAL HEAD BRACKET ADJUSTMENT
N.T.S.


APPROVED BY: _____ DIRECTOR, BUREAU OF FIELD SERVICES	 DEPARTMENT DIRECTOR BRADLEY C. WIEFERICH, PE	STANDARD PLAN FOR MAST ARM MOUNTED T.S. BRACKET ASSEMBLY		
APPROVED BY: _____ DIRECTOR, BUREAU OF DEVELOPMENT		(SPECIAL DETAIL) FHWA APPROVAL	02/21/2024 PLAN DATE	SIG-301-A

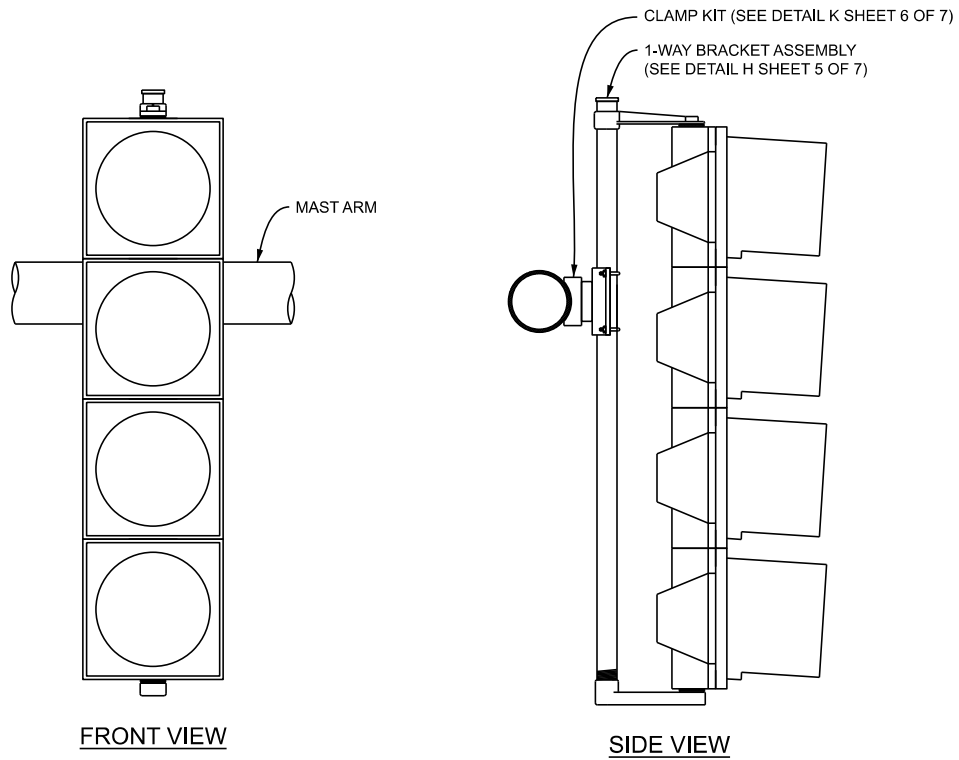


C DETAIL - 1W-3C
N.T.S.

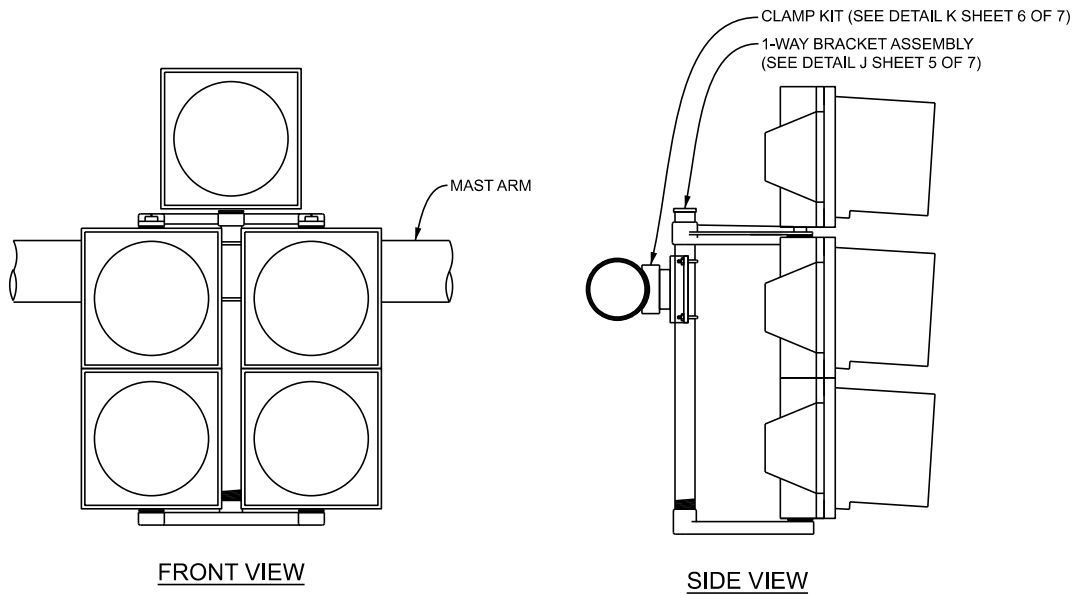


D DETAIL - 1W-3C WITH 12" X 27" CASE SIGN
N.T.S.


 DEPARTMENT DIRECTOR BRADLEY C. WIEFERICH, PE	STANDARD PLAN FOR MAST ARM MOUNTED T.S. BRACKET ASSEMBLY		SIG-301-A	SHEET 2 OF 7 SECT
	(SPECIAL DETAIL) FHWA APPROVAL	02/21/2024 PLAN DATE		

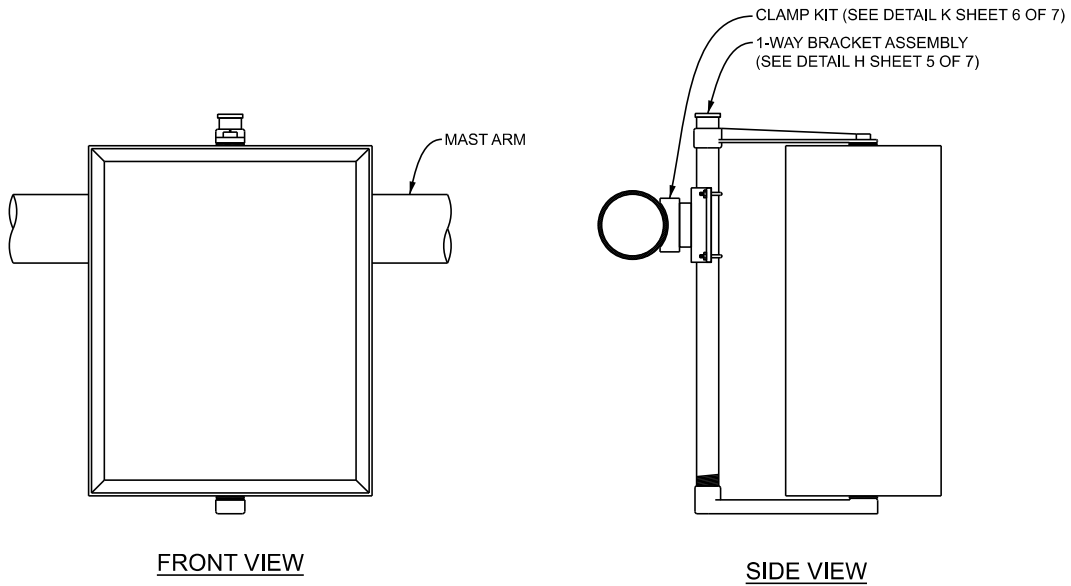


E DETAIL - 1W-4C (FYA)
N.T.S.




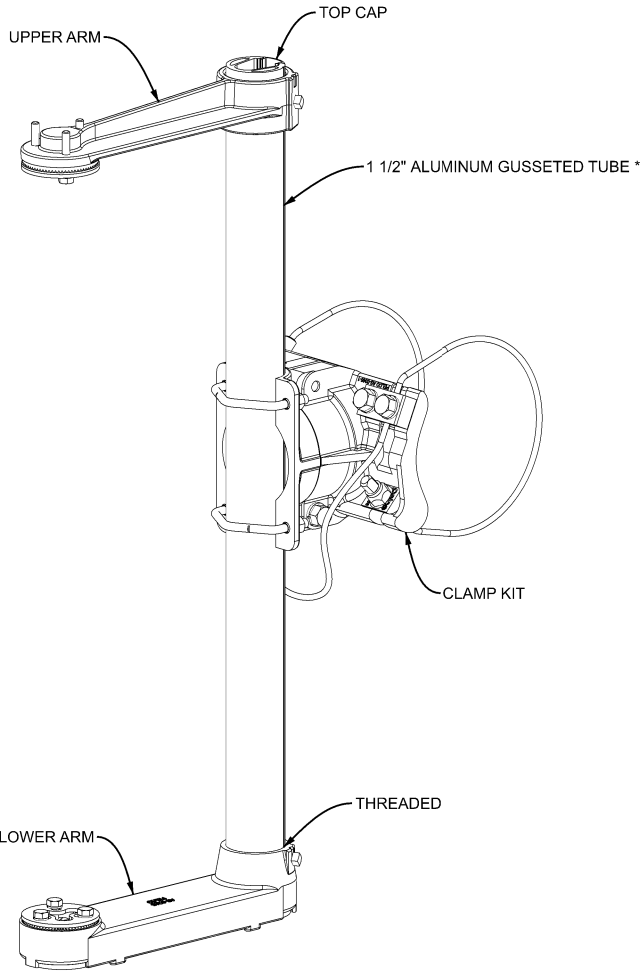
F DETAIL - 1W-5C (DOGHOUSE)
N.T.S.

APPROVED BY: _____ DIRECTOR, BUREAU OF FIELD SERVICES	 DEPARTMENT DIRECTOR BRADLEY C. WIEFERICH, PE	STANDARD PLAN FOR MAST ARM MOUNTED T.S. BRACKET ASSEMBLY		
APPROVED BY: _____ DIRECTOR, BUREAU OF DEVELOPMENT		(SPECIAL DETAIL) FHWA APPROVAL	02/21/2024 PLAN DATE	SIG-301-A



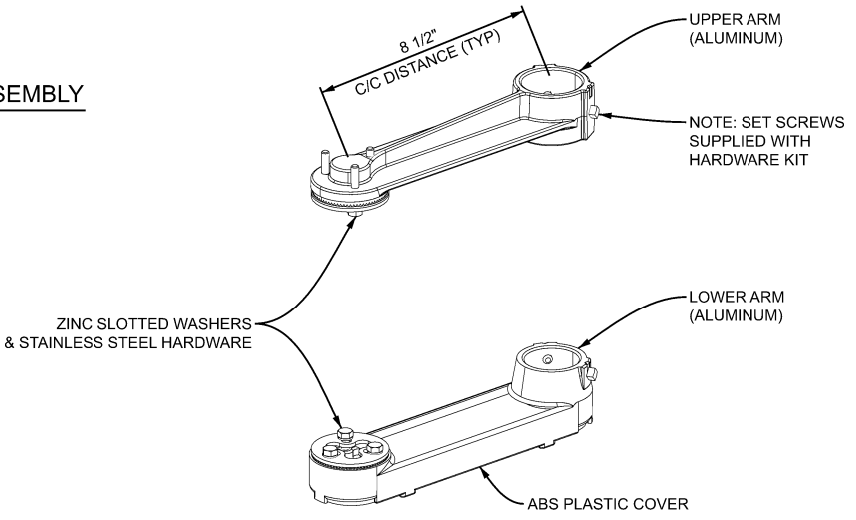
G DETAIL - 1W-CASE SIGN (24" X 30" SHOWN)
N.T.S.

 DEPARTMENT DIRECTOR BRADLEY C. WIEFERICH, PE	STANDARD PLAN FOR MAST ARM MOUNTED T.S. BRACKET ASSEMBLY		SIG-301-A	SHEET 4 OF 7
	(SPECIAL DETAIL) FHWA APPROVAL	02/21/2024 PLAN DATE		SECT



* NOTE:
 USE 46\"/>

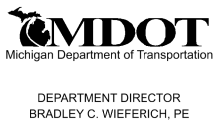
H DETAIL - 1-WAY BRACKET ASSEMBLY
 N.T.S.



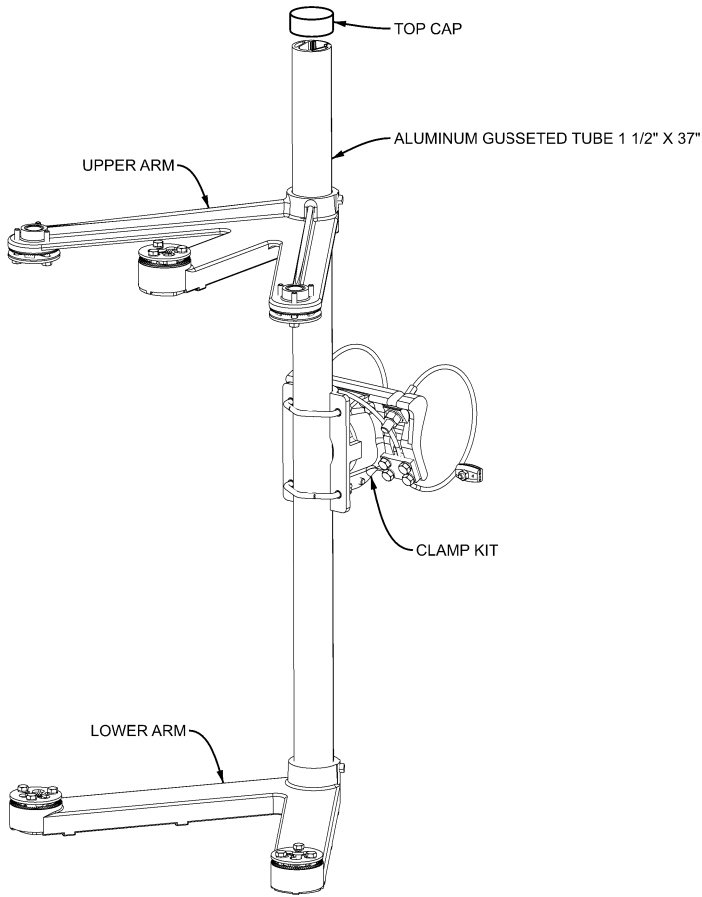
I DETAIL - 1-WAY BRACKET ARM ASSEMBLY
 N.T.S.

APPROVED BY: _____
 DIRECTOR, BUREAU OF FIELD SERVICES

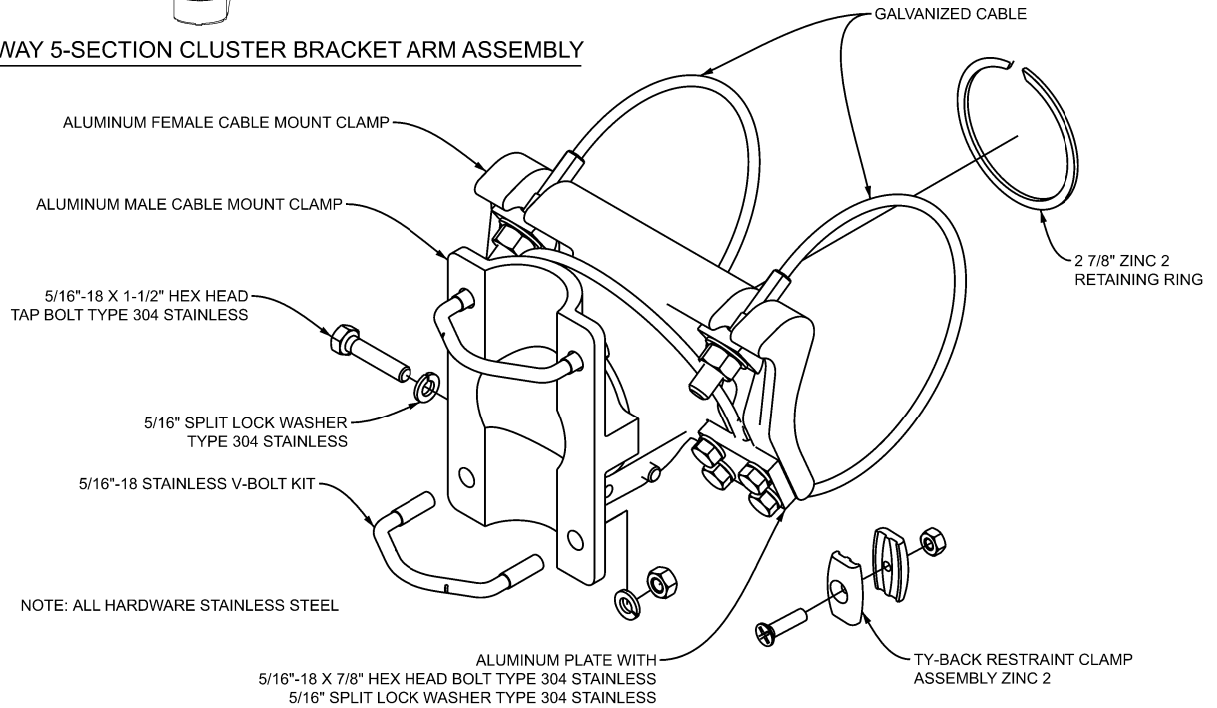
APPROVED BY: _____
 DIRECTOR, BUREAU OF DEVELOPMENT



STANDARD PLAN FOR MAST ARM MOUNTED T.S. BRACKET ASSEMBLY			
(SPECIAL DETAIL) FHWA APPROVAL	02/21/2024 PLAN DATE	SIG-301-A	SHEET 5 OF 7



J DETAIL - 1-WAY 5-SECTION CLUSTER BRACKET ARM ASSEMBLY
N.T.S.



- ALUMINUM FEMALE CABLE MOUNT CLAMP
- ALUMINUM MALE CABLE MOUNT CLAMP
- 5/16"-18 X 1-1/2" HEX HEAD TAP BOLT TYPE 304 STAINLESS
- 5/16" SPLIT LOCK WASHER TYPE 304 STAINLESS
- 5/16"-18 STAINLESS V-BOLT KIT

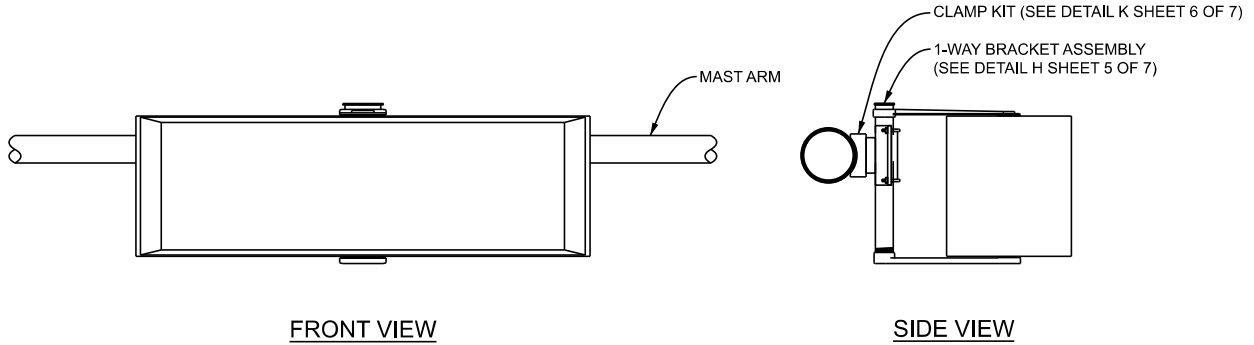
NOTE: ALL HARDWARE STAINLESS STEEL

ALUMINUM PLATE WITH
5/16"-18 X 7/8" HEX HEAD BOLT TYPE 304 STAINLESS
5/16" SPLIT LOCK WASHER TYPE 304 STAINLESS

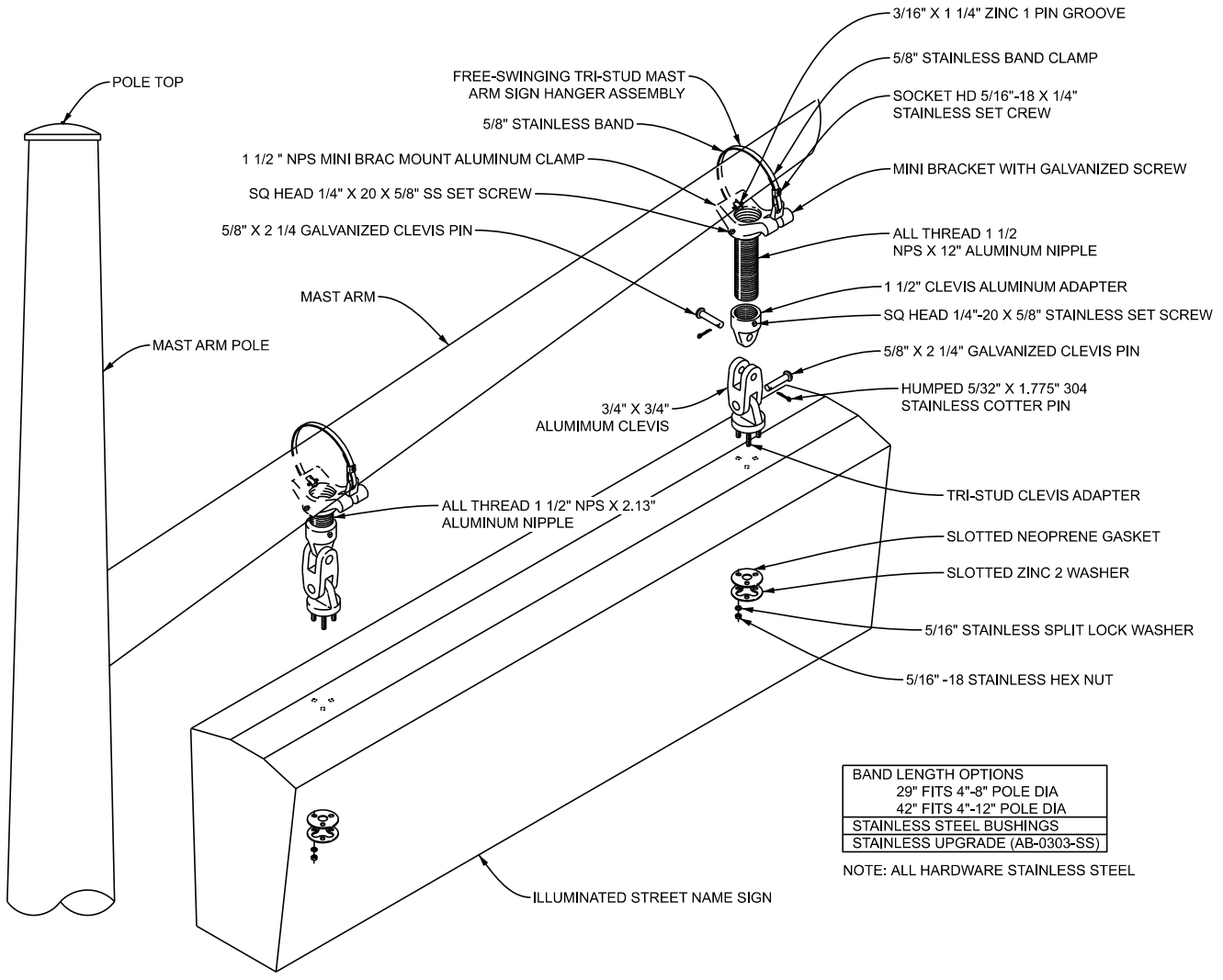
TY-BACK RESTRAINT CLAMP
ASSEMBLY ZINC 2

K DETAIL - ALUMINUM CLAMP WITH GALVANIZED CABLE
N.T.S.

 DEPARTMENT DIRECTOR BRADLEY C. WIEFERICH, PE	STANDARD PLAN FOR MAST ARM MOUNTED T.S. BRACKET ASSEMBLY		SIG-301-A	SHEET 6 OF 7
	(SPECIAL DETAIL) FHWA APPROVAL	02/21/2024 PLAN DATE		SECT



L DETAIL - 1W-ILLUMINATED STREET NAME SIGN
N.T.S.



BAND LENGTH OPTIONS	
29"	FITS 4"-8" POLE DIA
42"	FITS 4"-12" POLE DIA
STAINLESS STEEL BUSHINGS	
STAINLESS UPGRADE (AB-0303-SS)	

NOTE: ALL HARDWARE STAINLESS STEEL

M DETAIL - 2W-ILLUMINATED STREET NAME SIGN
N.T.S.