

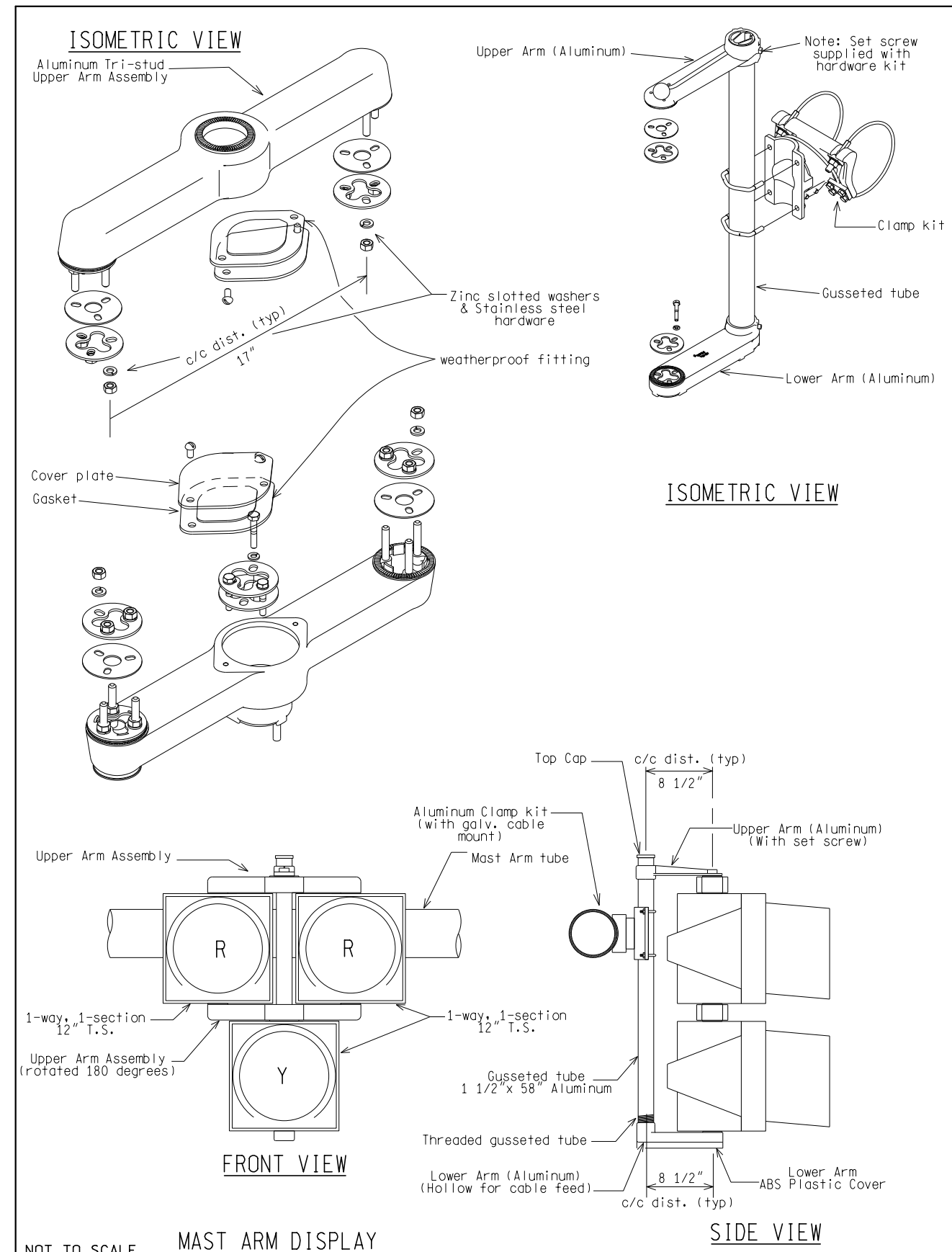
SPAN WIRE DISPLAY

HIGH INTENSITY ACTUATED CROSSWALK BEACON  
(TO STOP TRAFFIC FOR PEDESTRIAN CROSSING LOCATIONS)

NOT TO SCALE

File: RefDoc/TR/Signals/Web/Sp Det/Fin/SIG303A.dgn Rev. 02/16/17

<p>MICHIGAN DEPARTMENT OF TRANSPORTATION BUREAU OF HIGHWAYS DELIVERY STANDARD PLAN FOR <b>BRACKETING FOR HAWK SIGNAL DISPLAY</b></p>	ENGINEER OF DELIVERY	<p>SIG-303-A</p> <p>SHEET 1 of 2</p>
	ENGINEER OF DEVELOPMENT (SPECIAL DETAIL) FHWA APPROVAL DATE	
<p>PREPARED BY TRAFFIC AND SAFETY</p> <p>DRAWN BY: JAM</p> <p>CHECKED BY:</p>	<p>PLAN DATE</p>	<p>FILE:</p>



MAST ARM DISPLAY

NOT TO SCALE

MICHIGAN DEPARTMENT OF TRANSPORTATION  
BUREAU OF HIGHWAYS DELIVERY STANDARD PLAN  
(SPECIAL DETAIL)  
FHWA APPROVAL DATE

File: RefDoc/TR/Signals/Web/Sp Det/Fin/SIG303A.dgn Rev. 02/16/17

PLAN DATE

SIG-303-A

SHEET 2 of 2

AS-LET PLAN REVISIONS								<p>MICHIGAN DEPARTMENT OF TRANSPORTATION</p>	DATE:		CS:		DRAWING	SHEET
NO.	DATE	AUTH	DESCRIPTION	NO.	DATE	AUTH	DESCRIPTION		DESIGN UNIT:	JN:				
								FILE:	TSC:					