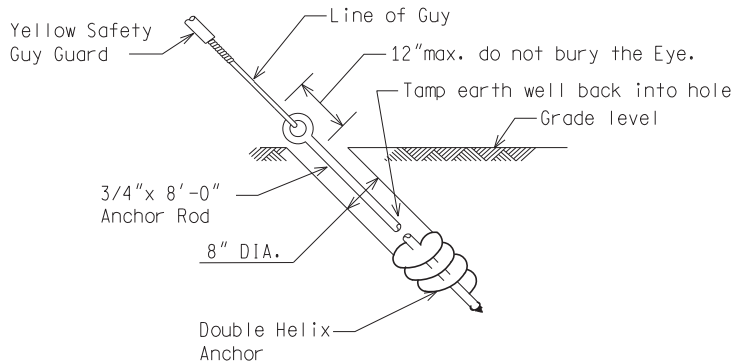
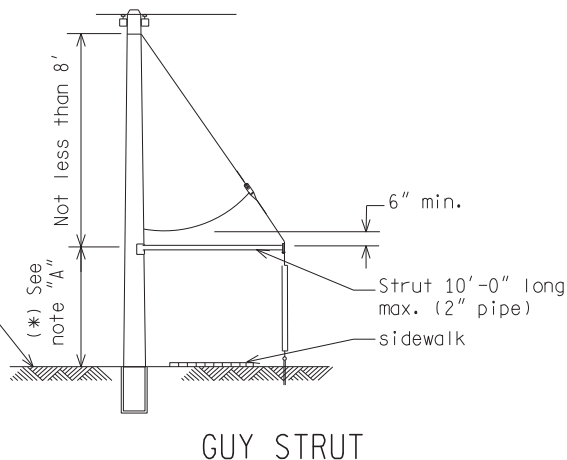
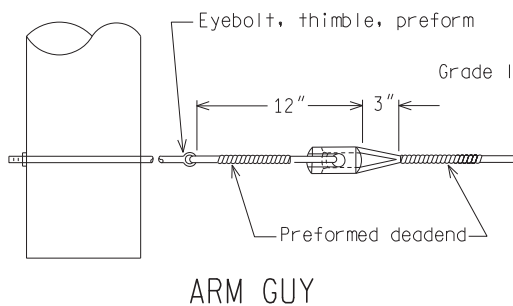
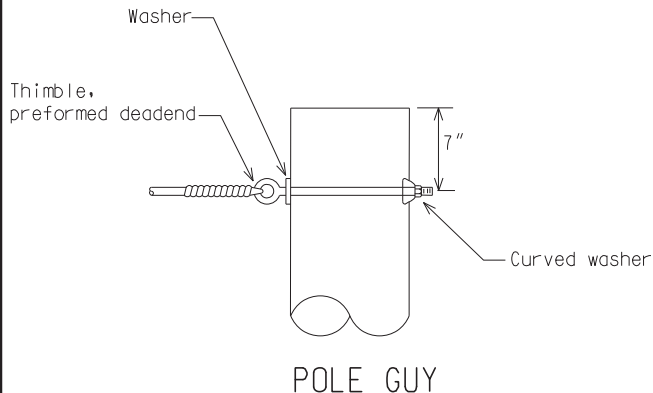


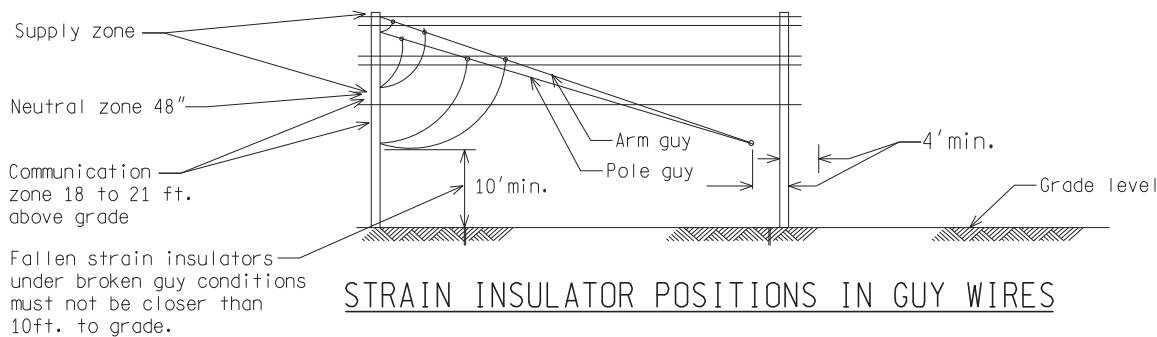
**SLOPE LIMITS FOR ANCHOR GUYS**



**NOTE:**  
Use screw anchor or Double Helix anchor according to soil condition as directed by the Engineer.



(\* NOTE: "A"  
This dimension to be 10' unless otherwise specified.



NOT TO SCALE

File: RefDoc/TR/Signals/Web/Sp Det/Fin/SIG050A.dgn Rev. 02/16/17



PREPARED BY  
TRAFFIC AND SAFETY

DRAWN BY: DJF

CHECKED BY:

ENGINEER OF DELIVERY

ENGINEER OF DEVELOPMENT

(SPECIAL DETAIL)

FHWA APPROVAL DATE

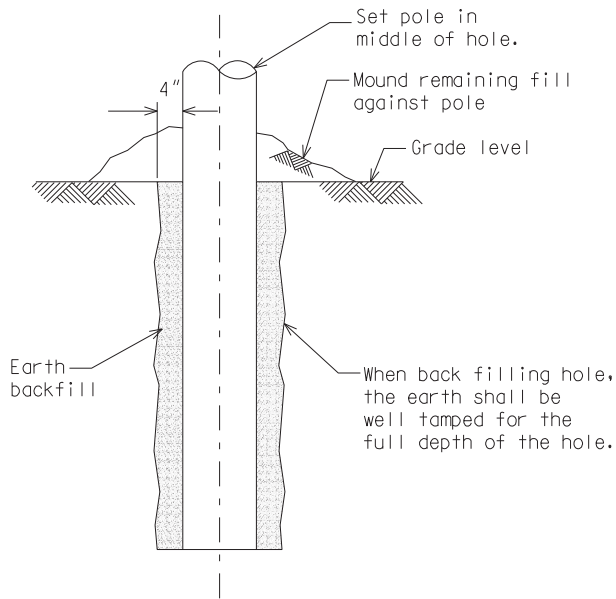
MICHIGAN DEPARTMENT OF TRANSPORTATION  
BUREAU OF HIGHWAYS DELIVERY STANDARD PLAN FOR

**WOOD POLE GUYS  
AND SETTING DEPTH**

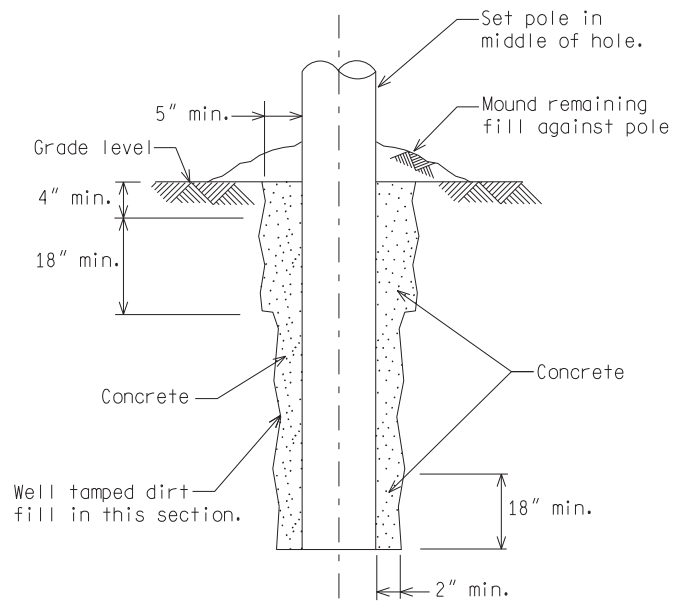
SIG-050-A

PLAN DATE

SHEET  
1 of 2



WOOD POLE INSTALLATION



SELF SUPPORTING WOOD POLE  
IN CONCRETE

POLE HEIGHT	SETTING DEPTH
30'	6.0'
35'	6.0'
40'	6.0'
45'	6.5'
50'	7.0'
55'	7.5'
60'	8.0'

WOOD POLE SETTING DEPTHS

Reference Standard Specification for Construction Section 819.03

NOT TO SCALE

MICHIGAN DEPARTMENT OF TRANSPORTATION  
BUREAU OF HIGHWAYS DELIVERY STANDARD PLAN

(SPECIAL DETAIL)  
FHWA APPROVAL DATE

PLAN DATE

SIG-050-A

SHEET  
2 of 2