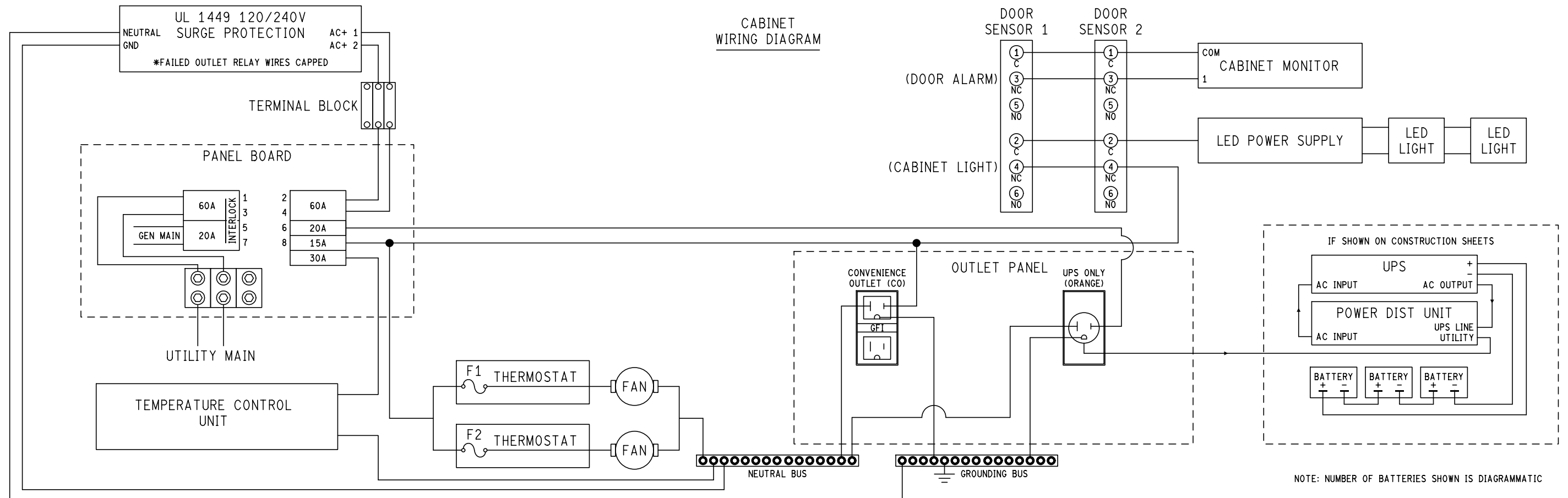
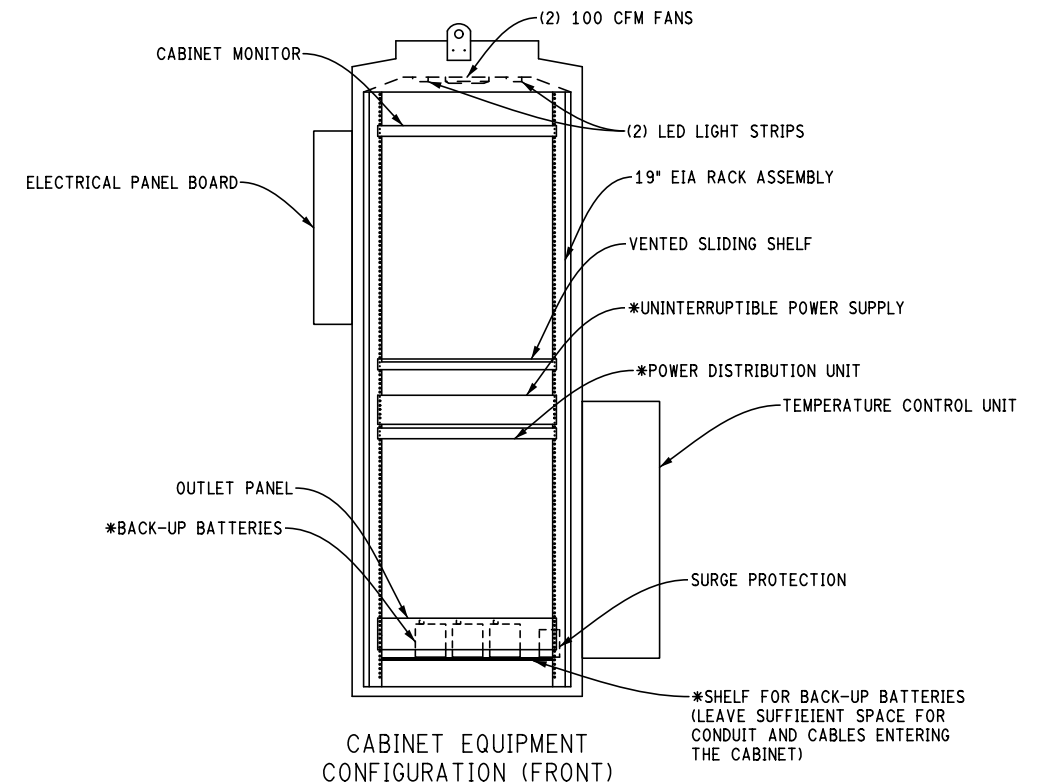


NOTE: REQUIRED SUNSHIELD NOT SHOWN FOR CLARITY.



FINAL ROW PLAN REVISIONS				(SUBMITTAL DATE:)			
NO.	DATE	AUTH	DESCRIPTION	NO.	DATE	AUTH	DESCRIPTION



NO SCALE

PRINT DATE: 9/26/2019
FILE: ITS Cab, Env 1- 9-26-2019 ITS060A

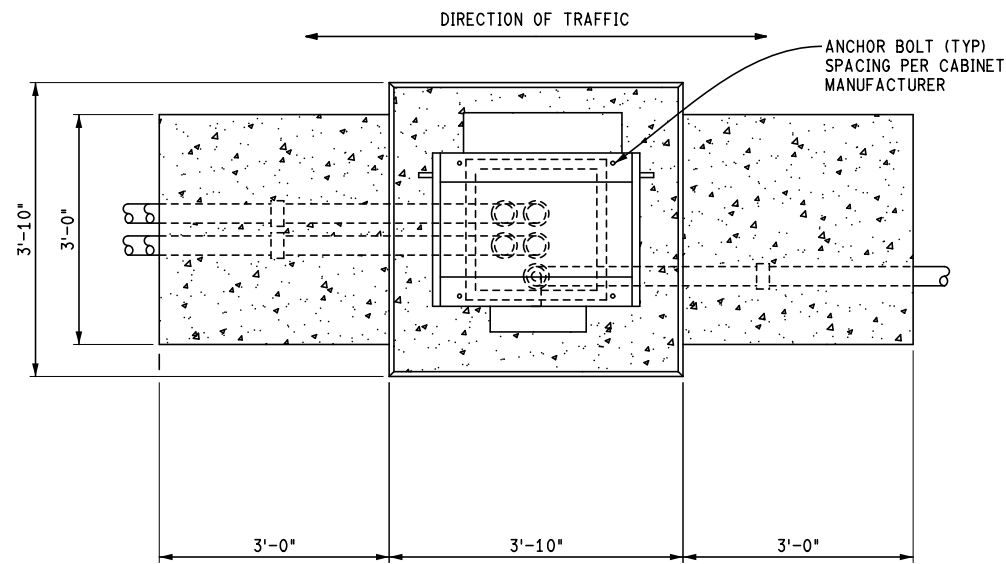
DATE:
DESIGN UNIT:
TSC:

CS:
JN:

ITS CABINET, ENVIRONMENTAL

DRAWING SHEET

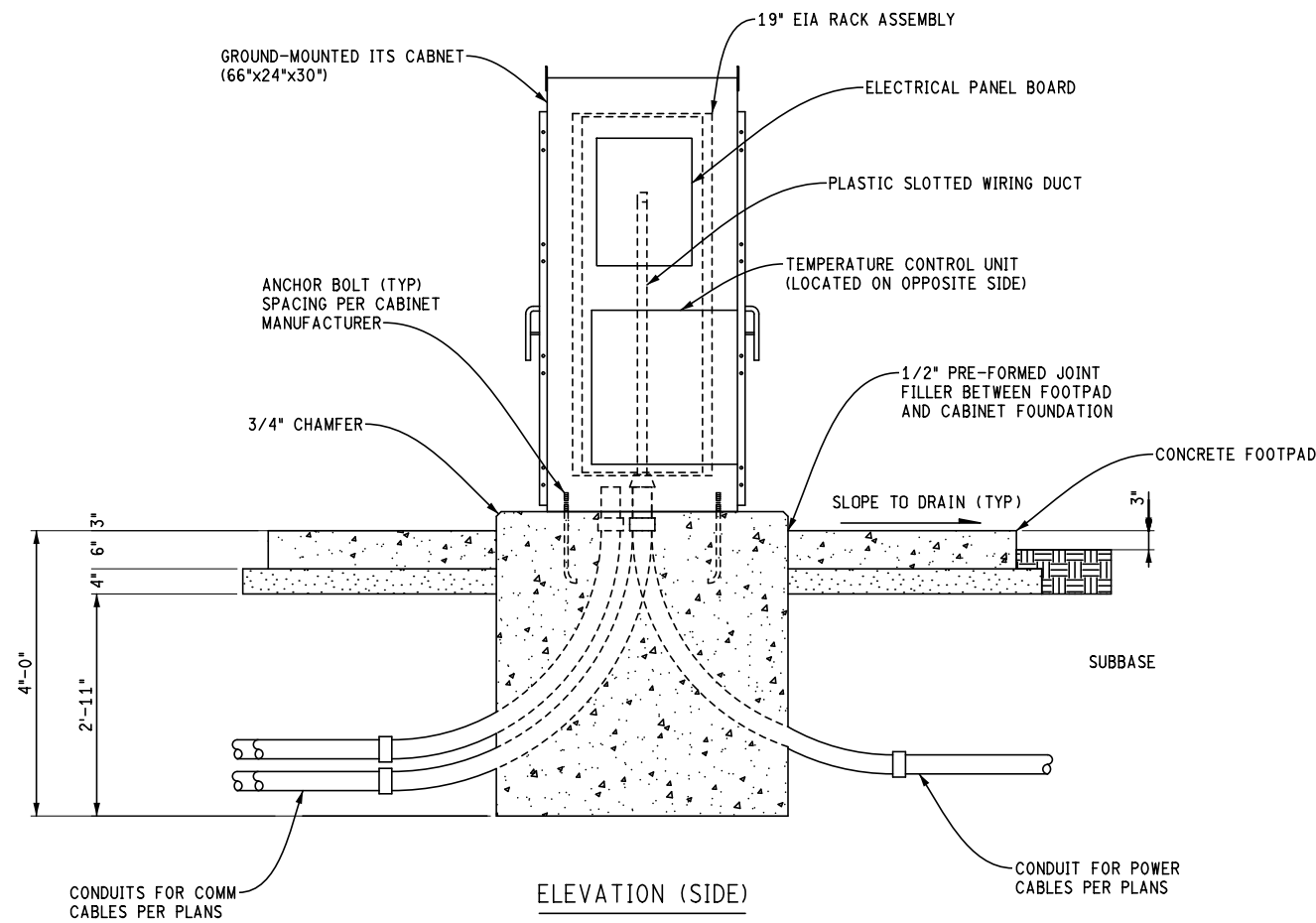
SHEET 1 OF 2



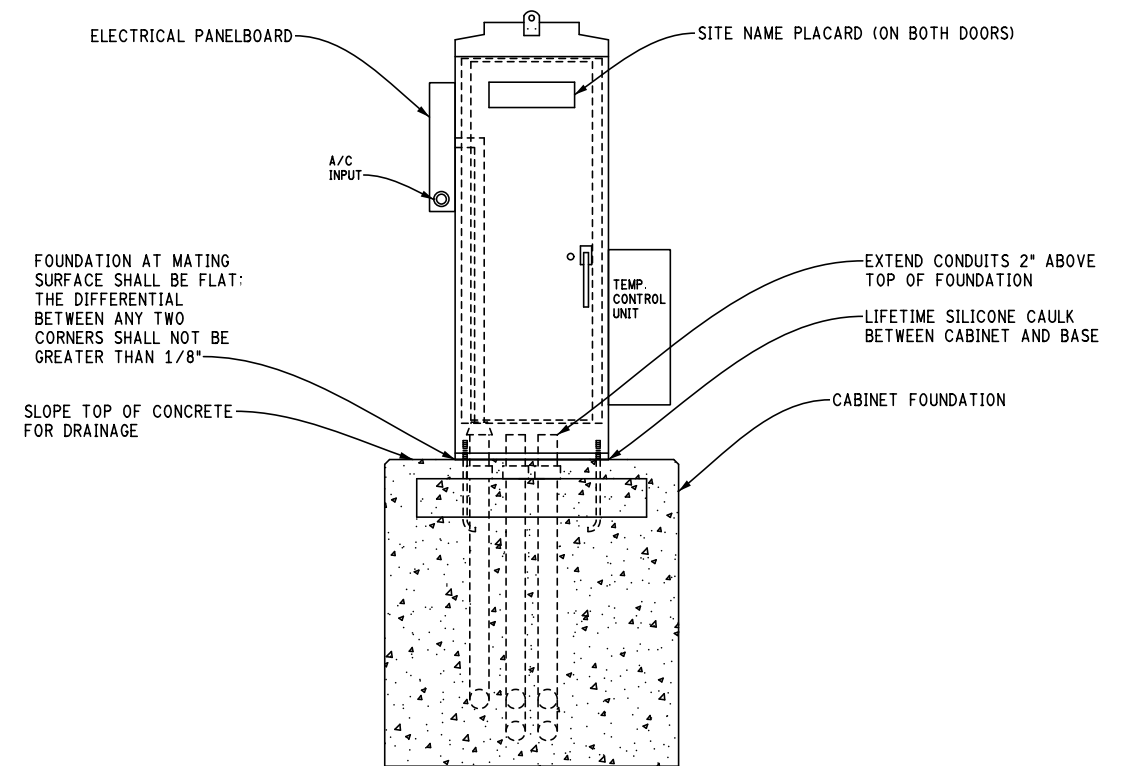
PLAN VIEW

NOTES:

1. ADJUST THE ELEVATIONS OF CONCRETE FOOTPADS TO MEET THE SITE CONDITIONS. MAINTAIN MINIMUM FOUNDATION COVER.
2. COMPACT THE SOIL BENEATH THE CONCRETE FOOTPAD AND AGGREGATE IN PLACE WITH A PLATE COMPACTOR OR OTHER COMPACTION METHOD APPROVED BY THE ENGINEER, PRIOR TO PLACING THE AGGREGATE.
3. CONSTRUCT FOUNDATION PER 2012 STANDARD SPECIFICATIONS FOR CONSTRUCTION, SECTION 820.03 (D).
4. INSTALL THE NUMBER, SIZE, AND TYPE OF CONDUIT(S) FOR COMMUNICATIONS AND POWER AS SHOWN IN THE PLANS. DETERMINE THE APPROACH/ENTRY ANGLE TO FOUNDATION BASED ON SITE CONDITIONS. THE NUMBER AND LOCATION OF CONDUIT SWEEPS SHOWN IN THIS DRAWING ARE DIAGRAMMATIC.
5. CONFIGURE CONDUIT ABOVE THE FOUNDATION ACCOUNTING FOR BUSHING PLACEMENT



ELEVATION (SIDE)



ELEVATION (FRONT)

FINAL ROW PLAN REVISIONS				(SUBMITTAL DATE:)			
NO.	DATE	AUTH	DESCRIPTION	NO.	DATE	AUTH	DESCRIPTION



NO SCALE

PRINT DATE: 9/26/2019
FILE: ITS Cab, Env 1- 9-26-2019 ITS060B

DATE:
DESIGN UNIT:
TSC:

CS:
JN:

ITS CABINET, ENVIRONMENTAL

DRAWING SHEET

SHEET 2 OF 2