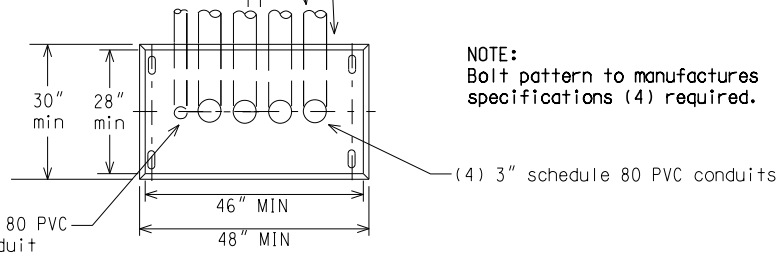
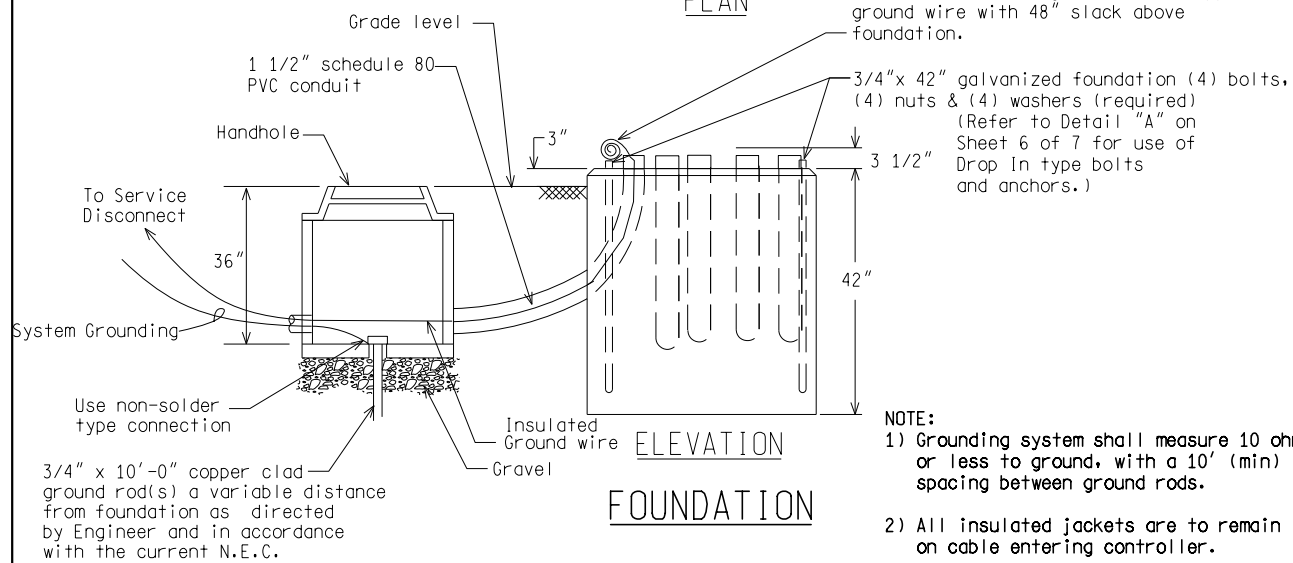


BASE MOUNTED TRAFFIC SIGNAL CONTROLLER CABINET

Bushings required on all conduits
 3" spacing between conduits (typ)
 Cap any unused conduit (s)
 Refer to contract documents for the finished concrete surface requirement for foundations.



PLAN

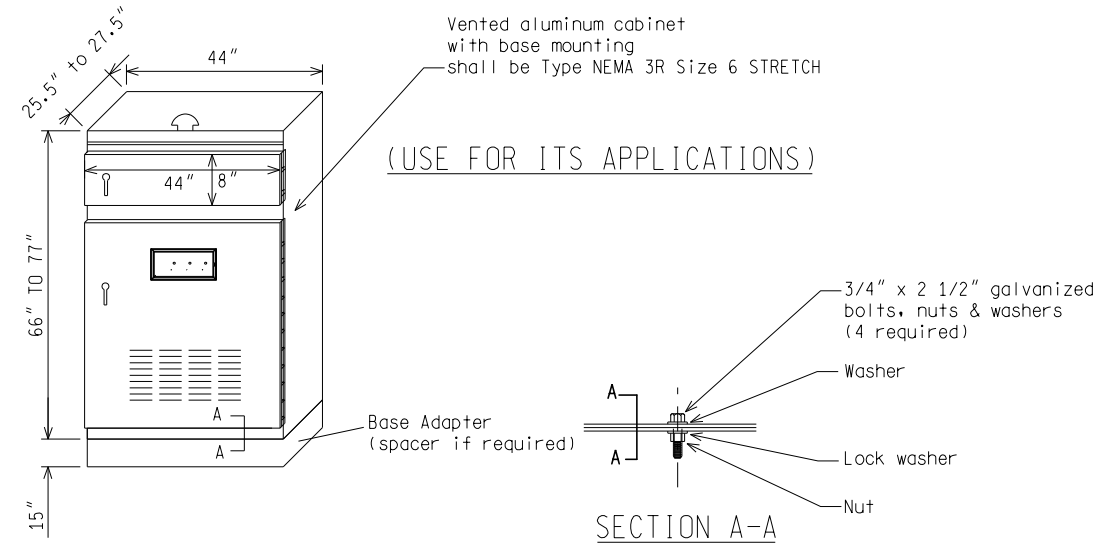


ELEVATION
 FOUNDATION

- NOTE:
- 1) Grounding system shall measure 10 ohm or less to ground, with a 10' (min) spacing between ground rods.
 - 2) All insulated jackets are to remain on cable entering controller.
 - 3) Keep 1-3" conduit on left side open for ITS

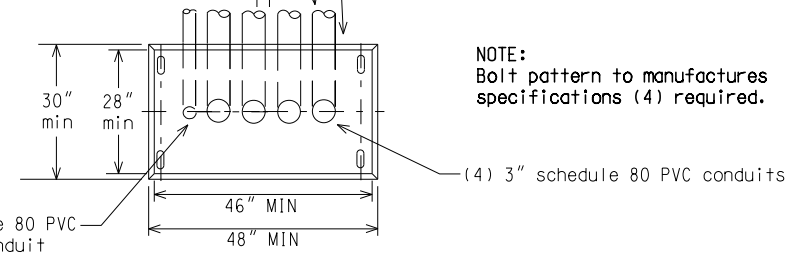
NOT TO SCALE

MICHIGAN DEPARTMENT OF TRANSPORTATION BUREAU OF HIGHWAYS DELIVERY STANDARD PLAN	(SPECIAL DETAIL) FHWA APPROVAL DATE	PLAN DATE	SIG-110-A	SHEET 3 of 7
File: RefDoc/TR/Signals/Web/Sp Det/F in/SIG110A.dgn Rev. 02/16/17				

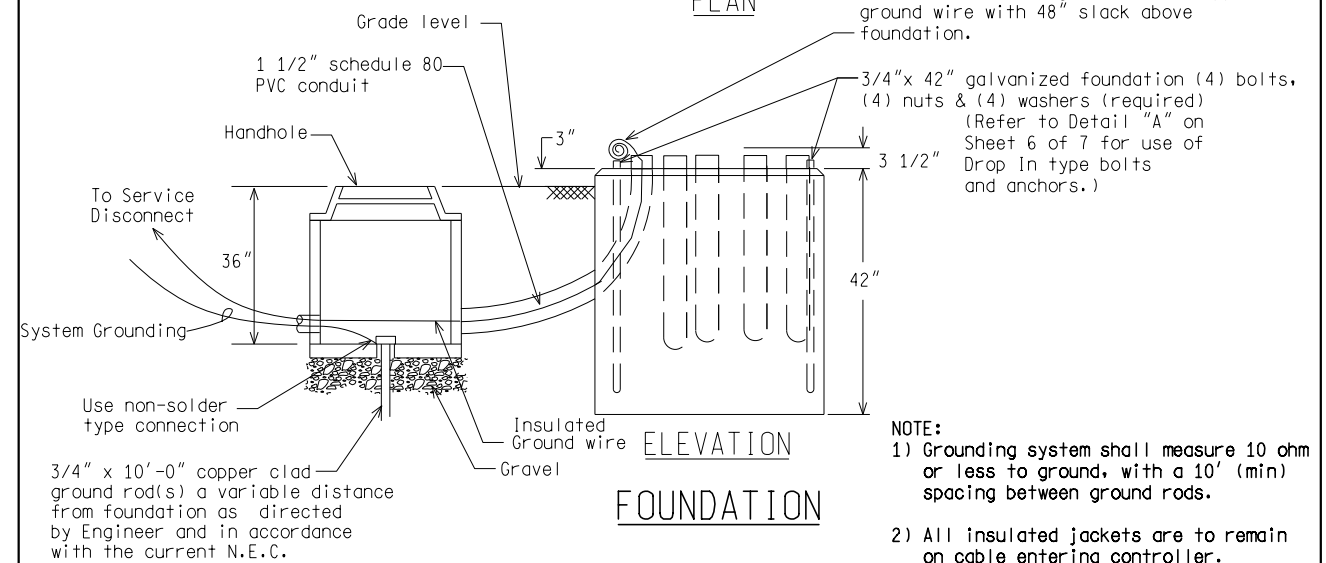


BASE MOUNTED TRAFFIC SIGNAL ITS CONTROLLER CABINET (IF USED)

Bushings required on all conduits
 3" spacing between conduits (typ)
 Cap any unused conduit (s)
 Refer to contract documents for the finished concrete surface requirement for foundations.



PLAN



ELEVATION
 FOUNDATION

- NOTE:
- 1) Grounding system shall measure 10 ohm or less to ground, with a 10' (min) spacing between ground rods.
 - 2) All insulated jackets are to remain on cable entering controller.
 - 3) Keep 1-3" conduit on left side open for ITS

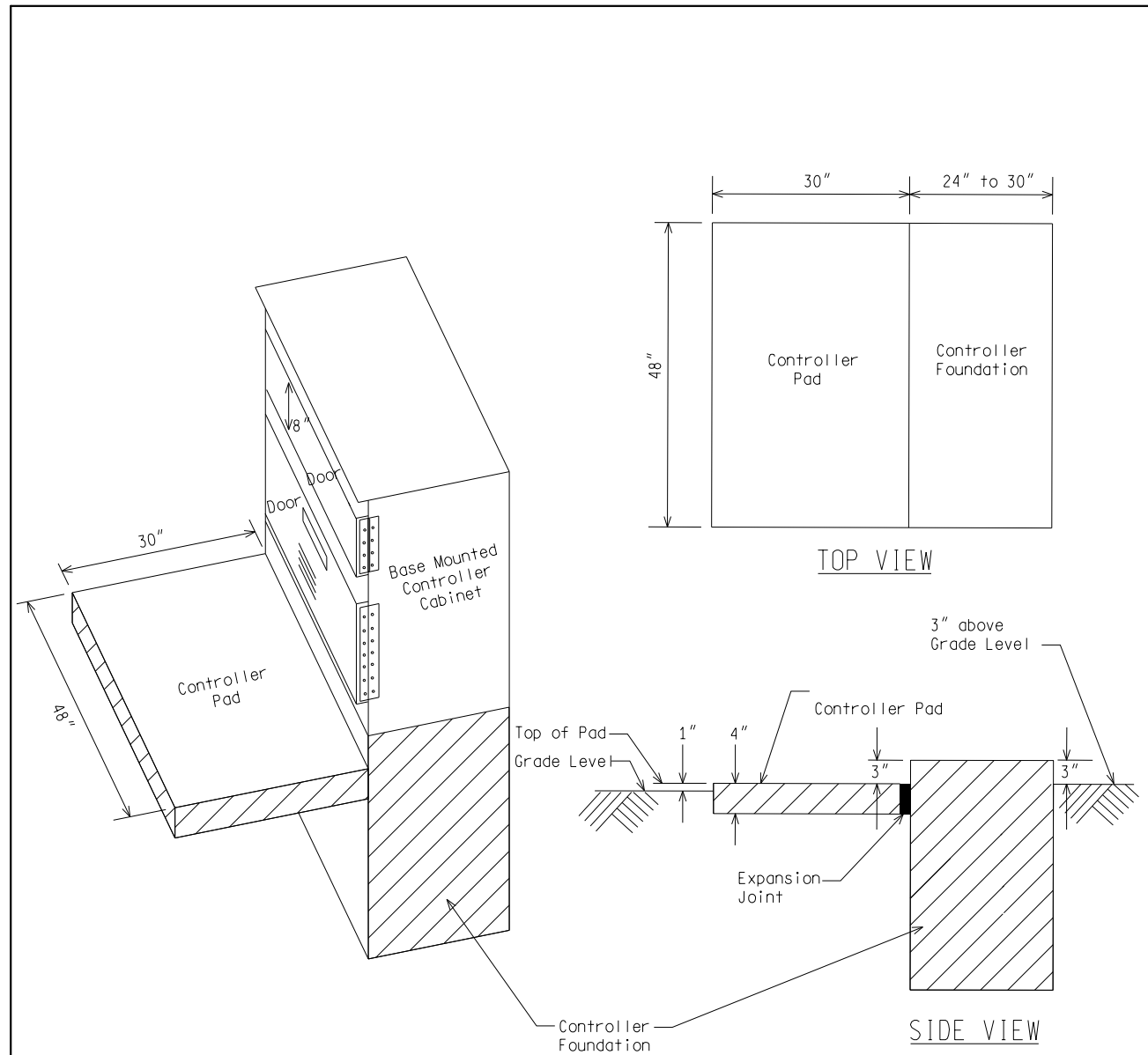
NOT TO SCALE

MICHIGAN DEPARTMENT OF TRANSPORTATION BUREAU OF HIGHWAYS DELIVERY STANDARD PLAN	(SPECIAL DETAIL) FHWA APPROVAL DATE	PLAN DATE	SIG-110-A	SHEET 4 of 7
File: RefDoc/TR/Signals/Web/Sp Det/F in/SIG110A.dgn Rev. 02/16/17				

AS-LET PLAN REVISIONS							
NO.	DATE	AUTH	DESCRIPTION	NO.	DATE	AUTH	DESCRIPTION



DATE:	CS:	DRAWING	SHEET
DESIGN UNIT:	JN:		
TSC:			
FILE:			

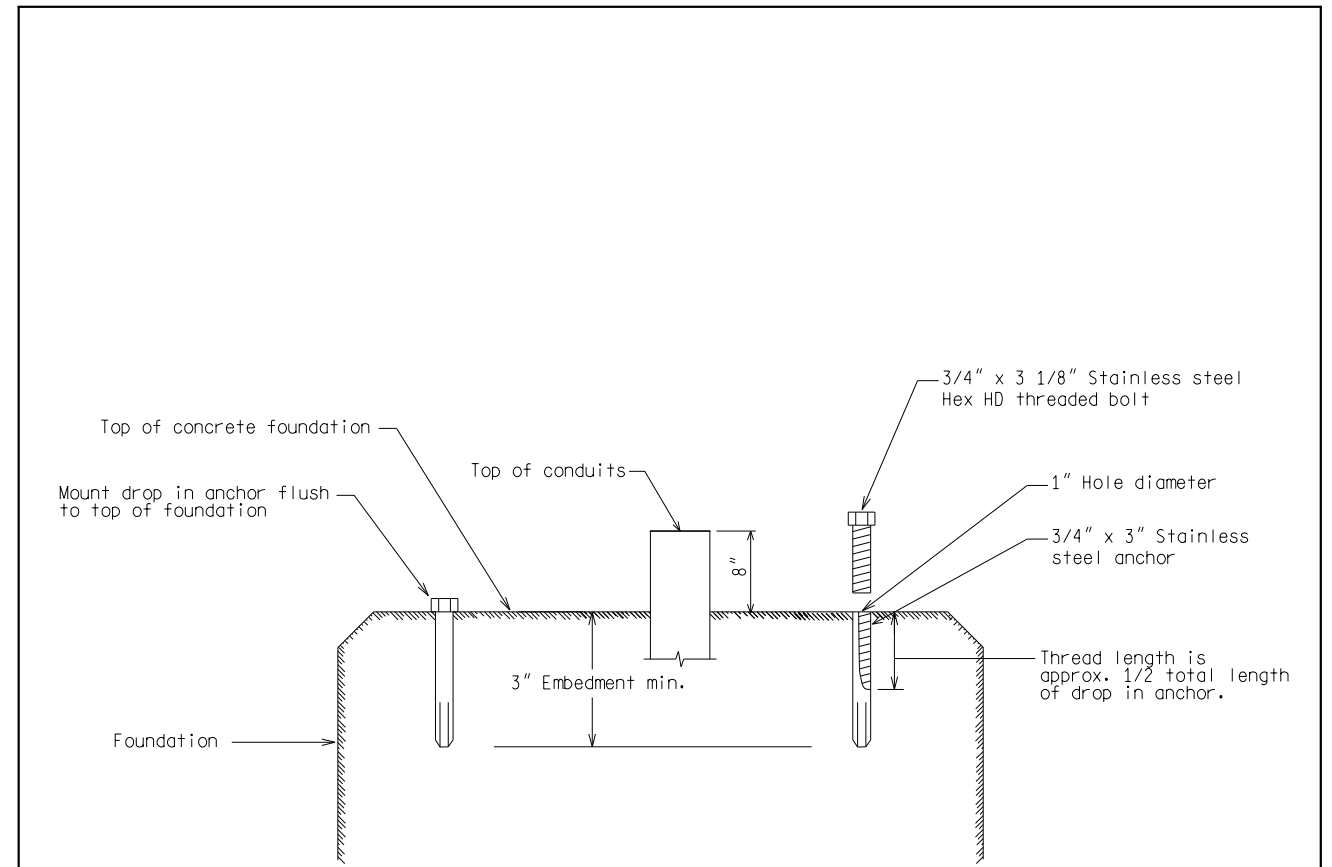


BASE MOUNTED CONTROLLER PAD

NOTE:
 Payment for controller pad to be included in controller foundation pay item.
 Controller cabinet door to open toward pad.

NOT TO SCALE

MICHIGAN DEPARTMENT OF TRANSPORTATION BUREAU OF HIGHWAYS DELIVERY STANDARD PLAN		(SPECIAL DETAIL) FHWA APPROVAL DATE	PLAN DATE	SIG-110-A	SHEET 5 of 7
File: RefDoc/TR/Signals/Web/Sp Det/F in/SIG110A.dgn		Rev. 02/16/17			



- Notes:
 1. Use AISI 300 Series Stainless Steel for all bolts and anchors.
 2. Use Drop In foundation bolts and anchors as directed by the Engineer.

ALTERNATIVE DETAIL "A": DROP IN FOUNDATION BOLTS & ANCHORS

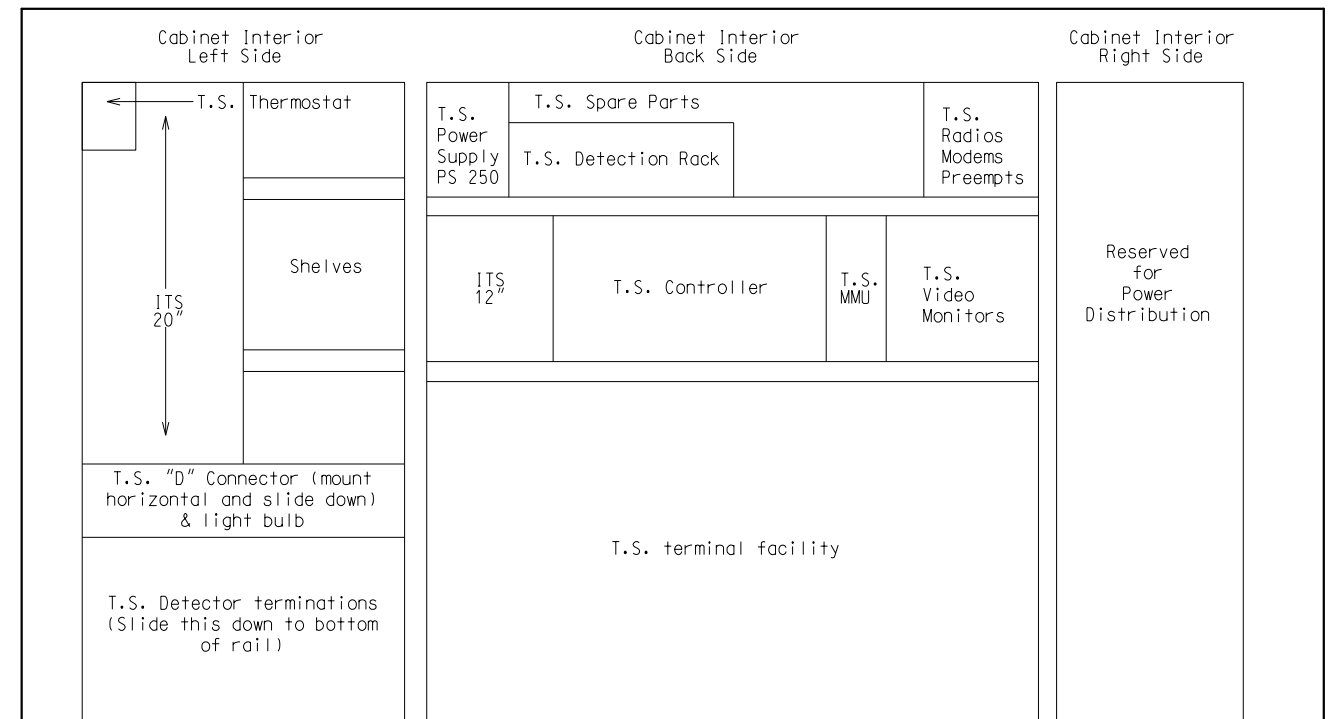
NOT TO SCALE

MICHIGAN DEPARTMENT OF TRANSPORTATION BUREAU OF HIGHWAYS DELIVERY STANDARD PLAN		(SPECIAL DETAIL) FHWA APPROVAL DATE	PLAN DATE	SIG-110-A	SHEET 6 of 7
File: RefDoc/TR/Signals/Web/Sp Det/F in/SIG110A.dgn		Rev. 02/16/17			

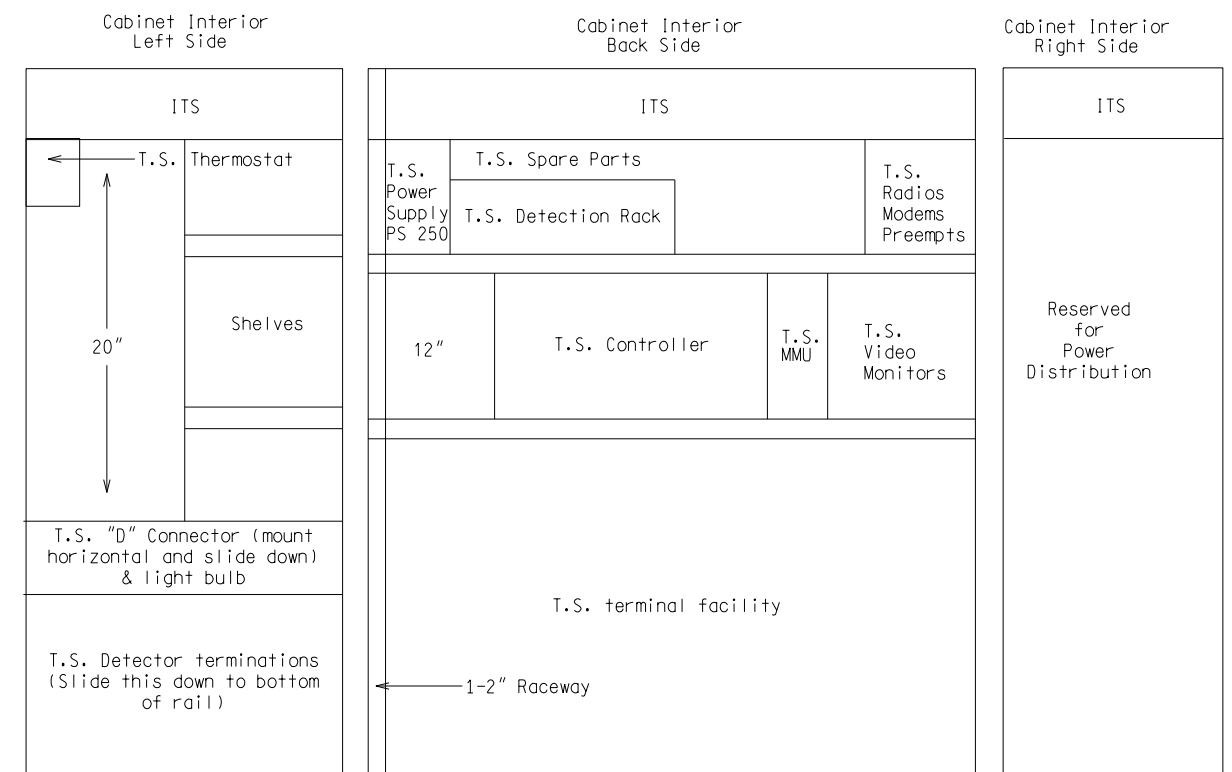
AS-LET PLAN REVISIONS							
NO.	DATE	AUTH	DESCRIPTION	NO.	DATE	AUTH	DESCRIPTION



DATE:	CS:	DRAWING	SHEET
DESIGN UNIT:	JN:		
FILE:	TSC:		



TRAFFIC SIGNAL NEMA 3R SIZE 6 CABINET REQUIREMENTS



TRAFFIC SIGNAL NEMA 3R SIZE 6 STRETCH CABINET REQUIREMENTS
FOR
ITS APPLICATIONS

NOT TO SCALE

MICHIGAN DEPARTMENT OF TRANSPORTATION BUREAU OF HIGHWAYS DELIVERY STANDARD PLAN	(SPECIAL DETAIL) FHWA APPROVAL DATE	PLAN DATE	SIG-110-A	SHEET 7 of 7
File: RefDoc/TR/Signals/Web/Sp Det/F in/SIG110A.dgn		Rev. 02/16/17		

AS-LET PLAN REVISIONS							
NO.	DATE	AUTH	DESCRIPTION	NO.	DATE	AUTH	DESCRIPTION



DATE:	CS:	DRAWING	SHEET
DESIGN UNIT:	JN:		
TSC:			
FILE:			