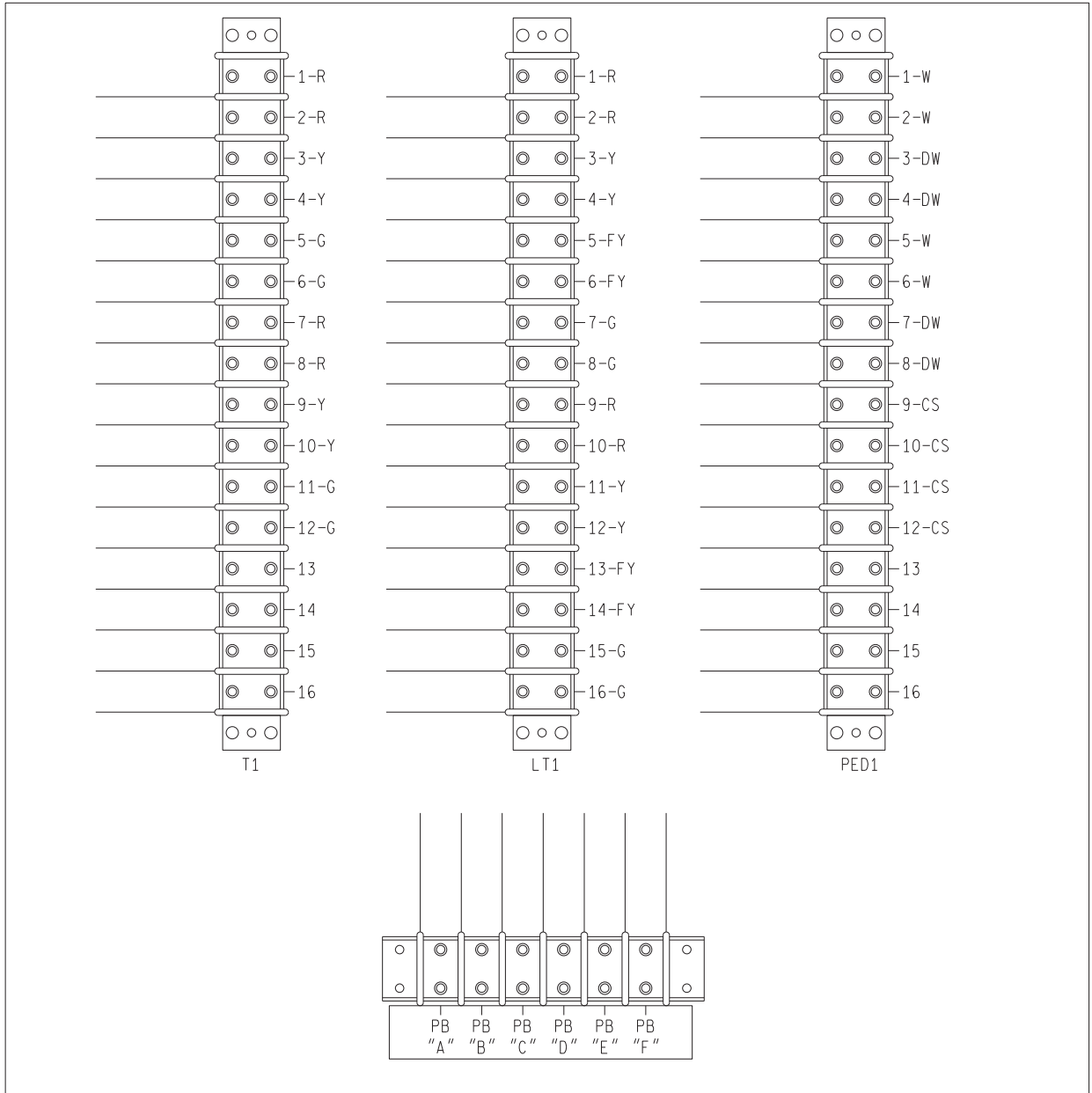


- (A) .125 inch ASTM 5052-H32 Aluminum
- (B) Stainless steel continuous hinge on left side for door opening
- (C) Predrilled holes (4) on back of enclosure to accept two cabinet mounting brackets.

SPLICE BOX ENCLOSURE



SPLICE BOX WIRING DIAGRAM

NOT TO SCALE

File: RefDoc/TR/Signals/Web/Sp Det/Fin/SIG260A.dgn Rev: 02/16/17



PREPARED BY
TRAFFIC AND SAFETY

DRAWN BY: DJF
CHECKED BY:

ENGINEER OF DELIVERY

ENGINEER OF DEVELOPMENT

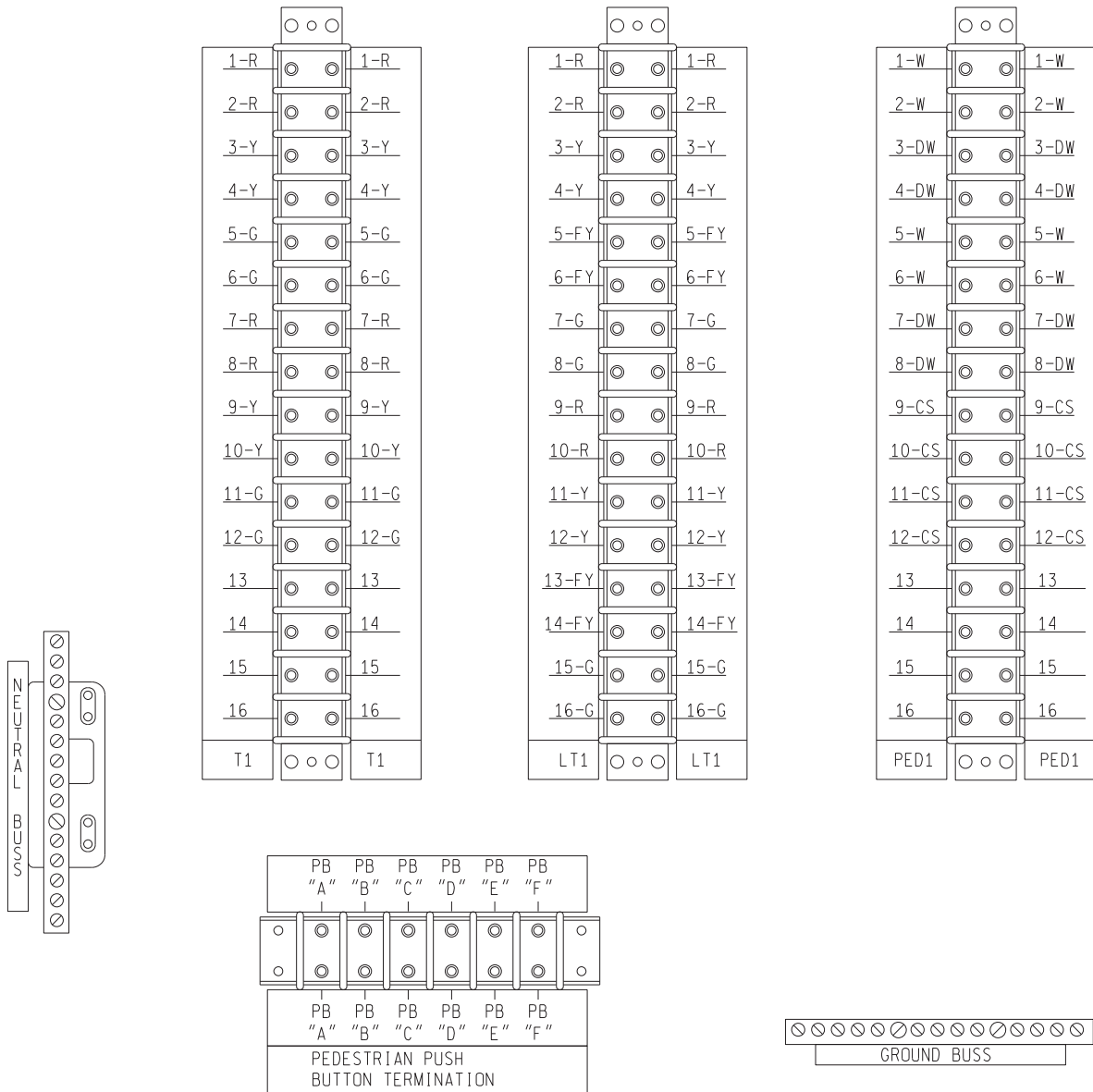
(SPECIAL DETAIL)
FHWA APPROVAL DATE

MICHIGAN DEPARTMENT OF TRANSPORTATION
BUREAU OF HIGHWAYS DELIVERY STANDARD PLAN FOR
SPLICE BOX

PLAN DATE

SIG-260-A

SHEET
1 of 3



SPLICE BOX BACK PANEL

NOT TO SCALE

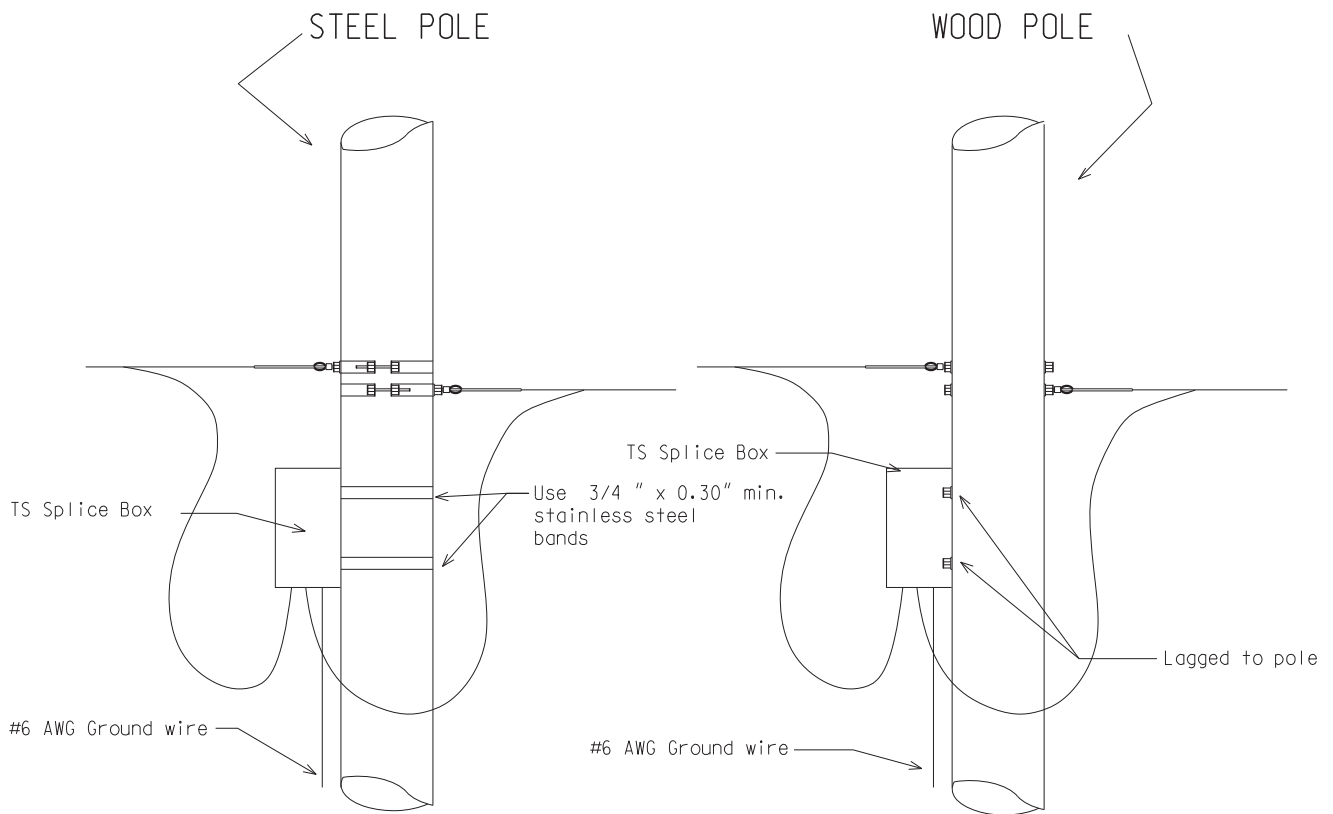
MICHIGAN DEPARTMENT OF TRANSPORTATION
BUREAU OF HIGHWAYS DELIVERY STANDARD PLAN

(SPECIAL DETAIL)
FHWA APPROVAL DATE

PLAN DATE

SIG-260-A

SHEET
2 of 3



- NOTES: 1) Splice box to be constructed to provide a weather tight enclosure.
 2) All cables shall enter TS splice box through bottom of enclosure with a water tight fitting.
 3) Bushing for cable entrance into enclosure to be liquid tight and sized per cable used.

TRAFFIC SIGNAL (TS) SPLICE BOX MOUNTED ON STEEL OR WOOD POLES

NOT TO SCALE

MICHIGAN DEPARTMENT OF TRANSPORTATION
 BUREAU OF HIGHWAYS DELIVERY STANDARD PLAN

(SPECIAL DETAIL)
 FHWA APPROVAL DATE

PLAN DATE

SIG-260-A

SHEET
 3 of 3